

# SURFACE-MOUNT TOROIDAL COMMON MODE CHOKES

## STRF01-06 SERIES

### FEATURES:

- Toroid core
- SMD construction
- Excellent Mechanical Strength
- Excellent Solderability
- High Reliability
- Low Profile

### OPTIONS:

- Packaging:Tape & Reel is standard (Qty:2000pcs)
- Bulk packaging available for smaller quantities
- Tolerance:20% is standard, tighter tolerances available

### COMMON APPLICATIONS:

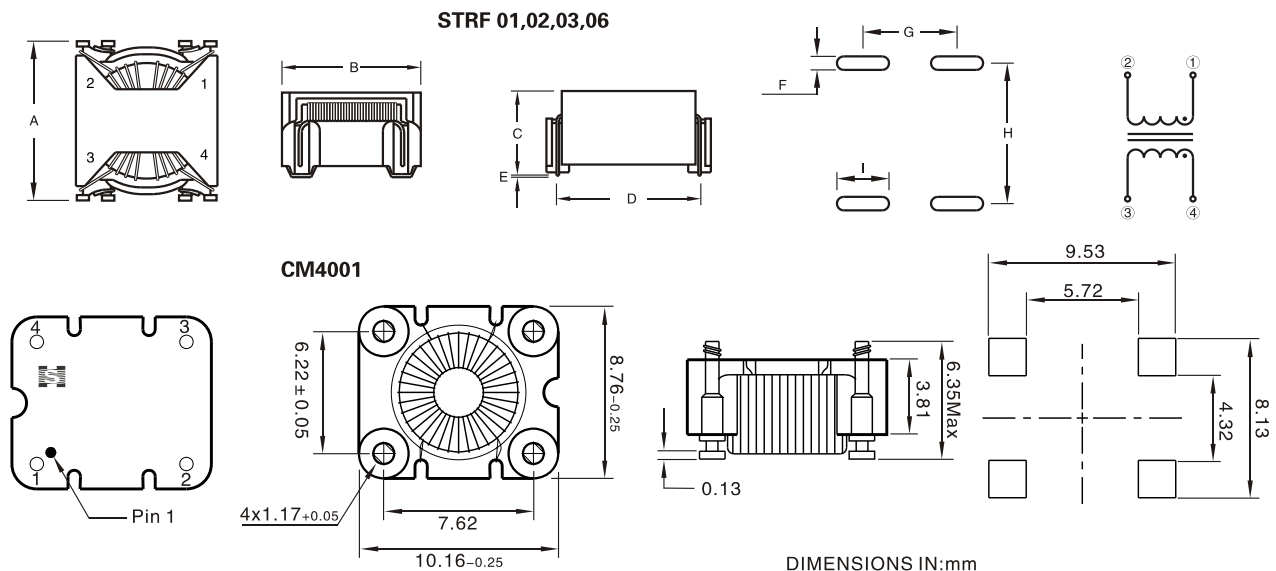
- DC/DC, AC/DC converter
- Filter and Noise suppression
- Communication System
- Automotive Systems
- Liquid Crystal Televisions
- Network Systems
- Computer Peripheral Equipment

### ELECTRICAL CHARACTERISTICS:

Part Number	L mH	Test Freq KHz	DCR ( $\Omega$ ) Max	IDC (A) Max
STRF-01-102Y	1.00	10	0.060	1.5
STRF-01-103Y	10.00	10	0.450	1.0
STRF-01-223Y	22.00	10	0.850	0.50
STRF-02-102Y	1.00	10	0.050	3.60
STRF-02-302Y	3.00	10	0.080	2.50
STRF-03-221Y	0.225	10	0.060	3.30
STRF-03-801Y	0.768	10	0.040	4.70
STRF-03-132Y	1.320	10	0.060	3.30
STRF-03-591Y	0.590	10	0.020	5.60
STRF-03-162Y	1.590	10	0.080	2.80
STRF-06-122Y	1.170	10	0.220	1.22
STRF-06-881Y	0.884	10	0.110	1.63
CM 4001	5.0	10	1.0	0.3

Note:1. K=  $\pm$  10%,M=  $\pm$  20%,Y=25%,N=  $\pm$  30%

### TECHNICAL INFORMATION & PHYSICAL CHARACTERISTICS:



- IDC Max:Determined when superimposed
  - Inductance test :HP4284A 10KHz 0.1V RDC:QuadTech 1880 Milliohmmer
  - Operating temperature: -40°C to +105°C
  - Storage Temperature: -40°C to +105°C
  - Solder methods: Vapor Phase,Infrared Reflow
  - Resistance to soldering heat:260°C for 10 seconds
  - Solvent resistance: Conforms to MIL-STD-202E
  - Marking: Inductance & Tolerance
- Note:All specifications subject to change without notice.

Part number	A	B	C	D	E	F	G	H	I
STRF-01	16.0Typ	14.0Typ	7.87	13.46	0.63	1.52	8.63	13.46	4.5
STRF-02	19.0Typ	16.5Typ	8.89	16.76	0.63	1.52	11.3	16.76	4.5
STRF-03	19.0Typ	16.5Typ	8.89	16.76	0.63	1.52	11.3	16.76	4.5
STRF-06	12.2Typ	13.7Typ	6.35	8.38	0.63	1.52	8.38	10.40	4.5