

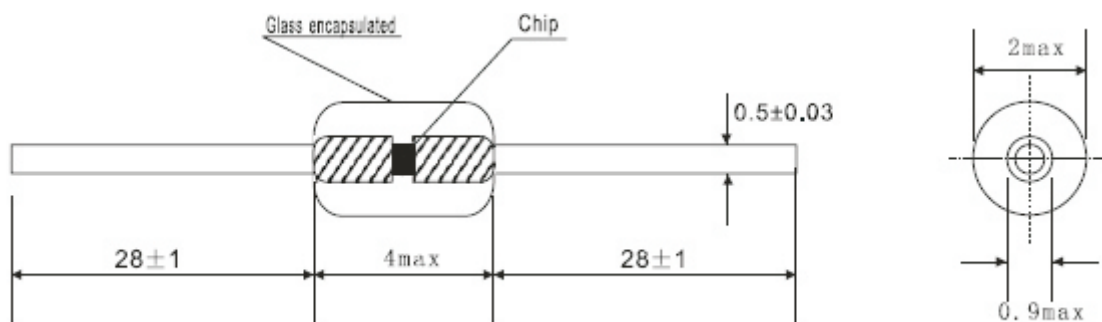
1. Characteristics

- 1.1 SMF58 series in the form of radial glass encapsulated form.
- 1.2 Good stability, high reliability.
- 1.3 Wide resistance range : 0.1~5000KΩ
- 1.4 High precision resistance and B value.
- 1.5 Glass encapsulated, can operate in high temperature and moisture environment.
- 1.6 Small dimension, solid, convenient for automatic installation.
- 1.7 Operating temperature range: -45 ~ +300°C
- 1.8 Fast heat induction, high sensitivity.

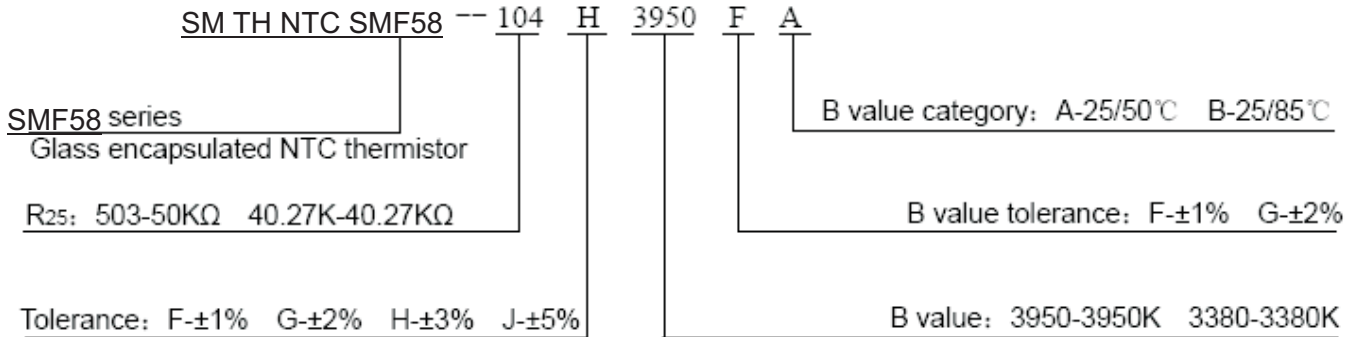
2. Application

- 2.1 Home appliance temperature control and inspection, such as induction cooker, voltage boiler, rice cooker, electric oven, disinfection tank, microwave oven, electric warm kiln.
- 2.2 Temperature measurement and compensation of office automation equipment, such as copier, printer, etc.
- 2.3 Temperature measurement and inspection of industry, medical , environment protection, weather forecast, food processing equipment, etc
- 2.4 Temperature protection of battery pack and battery charger.
- 2.5 Temperature compensation of instrument loop, integrated circuit, crystal oscillator and thermocouple.

3. Dimension (Unit : mm)



4. Part number explanation



5. Data sheet

Part Number	Resistance @25°C (R ₂₅)		B Value		Operating Temperature (°C)	Dissipation Factor (mW/°C)	Thermal Time Constant (S)	Rated Power (mW)
	Resistance (KΩ)	Tolerance (±%)	B Value (K)	Tolerance (±%)				
SMF58-502x3470xA	5	1, 2, 3, 5	3470	0.5, 1, 2	-45°C~+250°C	≥2.0 In still air	≤10 In still air	≤50
SMF58-5.369Kx3434xA	5.369		3434					
SMF58-103x3270xA	10		3270					
SMF58-103x3435xB	10		3435					
SMF58-103x3470xA	10		3470					
SMF58-103x3550xA	10		3550					
SMF58-103x3600xA	10		3600					
SMF58-103x3630xA	10		3630					
SMF58-103x3700xA	10		3700					
SMF58-103x3899xA	10		3899					
SMF58-103x3950xA	10		3950					
SMF58-10.74Kx3434xA	10.74		3434					
SMF58-203x3950xA	20		3950					
SMF58-223x3850xA	22		3850					
SMF58-303x4020xA	30		4020					
SMF58-40.27Kx3900xA	40.27		3900					
SMF58-473x3950xA	47		3950					
SMF58-49.12Kx3955xA	49.12		3955					
SMF58-503x3800xA	50		3800					
SMF58-503x3930xA	50		3930					
SMF58-503x3950xA	50	3950						
SMF58-503x3990xA	50	3990						
SMF58-503x4050xA	50	4050						
SMF58-58.5Kx3942xA	58.5	3942						

SMF58 Glass Encapsulated

SMF58-93.63x4016xA	98.63	4016	-30°C~+300°C			
SMF58-104x3700xA	100	3700				
SMF58-104x3899xA	100	3899				
SMF58-104x3930xA	100	3930				
SMF58-104x3950xA	100	3950				
SMF58-104x3990xA	100	3990				
SMF58-104x4050xA	100	4050				
SMF58-104x4120xA	100	4120				
SMF58-104x4200xA	100	4200				
SMF58-204x3899xA	200	3899				
SMF58-204x4200xA	200	4200				
SMF58-204x4260xA	200	4260				
SMF58-204x4320xA	200	4320				
SMF58-231.4Kx4170xA	231.4	4170				
SMF58-504x4250xA	500	4250				
SMF58-504x4050xA	500	4050				
SMF58-105x4400xA	1000	4400				
SMF58-1.388Mx4500xA	1388	4500				
SMF58-3.78Mx4700xA	3780	4700				

Note: First for filling in resistance tolerance code name, Second for filling in B value tolerance code name.