

SMF11 Temperature Compensation NTC Thermistor

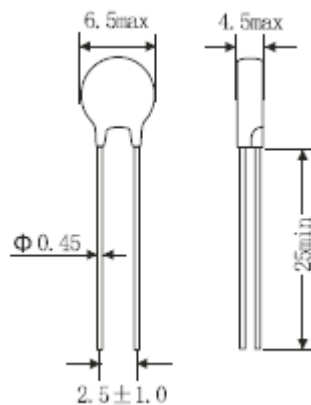
1. Characteristics

- 1.1 SMF11 series in the form of radial resin coated form.
- 1.2 Wide resistance range: 0.01~200KΩ
- 1.3 Resistance tolerance can be ±5%
- 1.4 Rated power : 0.5W
- 1.5 Good consistency.
- 1.6 Operating temperature range: -55 ~ +125

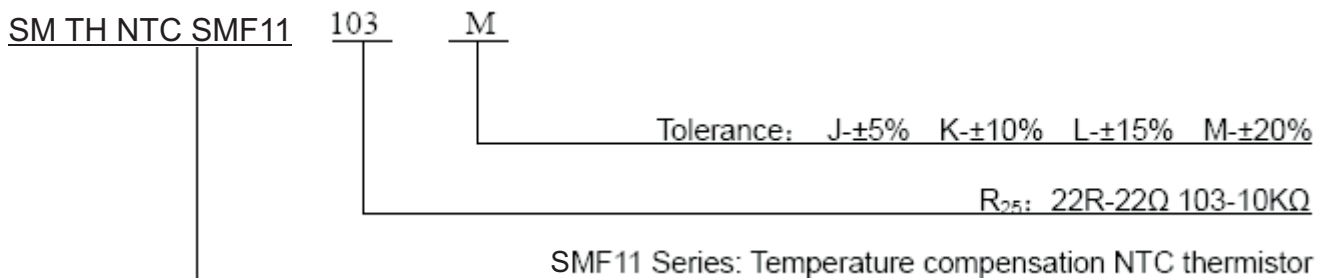
2. Application

- 2.1 Electronic circuit temperature compensation.
- 2.2 Computation equipment temperature compensation.
- 2.3 Temperature compensation of instrument loop, integrated circuit, crystal oscillator.
- 2.4 Commonly precision temperature measurement and control

3. Dimension (Unit : mm)



3. Part number explanation



4. Data sheet

Part Number	Resistance @25°C (R ₂₅)		B value (25/50°C)		Dissipation Factor (mW/°C)	Thermal Time constant (S)	Operating Temperature (°C)
	R ₂₅ range (Ω)	Tolerance (±%)	B value (K)	Tolerance (±%)			
SMF11-□□	3.3~33	5、10、20	2700	5	≥6.0 In still air	≤30 In still air	-55~+125
	6.8~68		2830				
	15~150		2950				
	33~330		3100				
	68~680		3250				
	150~1500		3400				
	330~3300		3570				
	680~6800		3740				
	1500~15000		3900				
	3300~33000		4050				
	6800~68000		4250				
	15000~150000		4450				
	33000~330000		4670				
	68000~680000		4800				
	150000~2000000		5050				

Note: First for filling in resistance @25 , Second for filling in resistance tolerance code name.