

60Watt, Single Output, AC-DC Open Frame Converter

FEATURES:

- Universal Input 90~264VAC
- Efficiency at 88% Typical
- Protection: Short Circuit /Overload/Over voltage
- Meet EMI EN55022 & EMS EN55024 standard
- Internal Input Filter
- 1 Years Warranty
- ROHS Compliant

SGB060 - S 33
 A B C

A: Series
 B: Single Output
 C: Output Voltage

Specifications typical at TA=25°C, nominal input voltage and rated output current unless otherwise specified						
Part Number	Output Wattage	Output Voltage	Output Current		Ripple & Noise(note1)	Efficiency
	(W)	(V)	(mA)(min)	(mA)(max)	(mV) max	%(TYP)
SGB060-S33	60	Vo=+33.0	0	1800	240	88

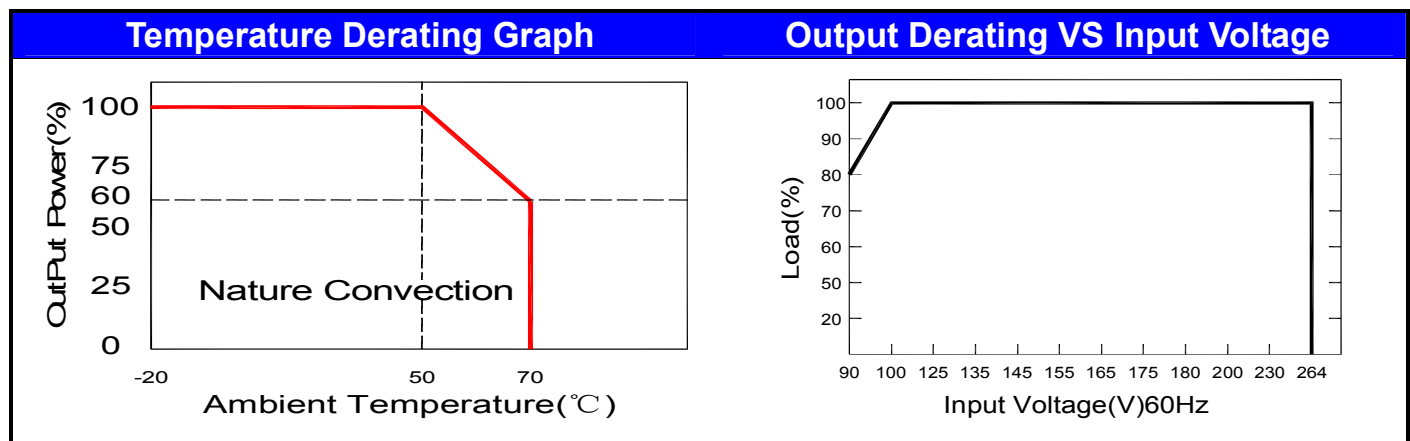
Input Specifications					
Parameters	Conditions	Min	Typ	Max	Units
Rated input voltage	Vo,lo nom		100-240		Vac
Voltage Range	Vo,lo nom	90		264	Vac
Frequency		47	50/60	63	Hz
Input Current	Vo,lo nom			1.5	A
Inrush Current	At 100Vac			20	A
	At 240Vac			40	A
Input Fuse	VDE/UL/CCC FUSE 2.5A/250V				

Output Specifications						
Parameters	Conditions		Min	Typ	Max	Units
Output Voltage Accuracy	Vi nom,lo nom	Vo			±2	%
Minimum Load	Vi nom		0			
Line Regulation	Io nom,Vi min...Vi max			±1		%
Load Regulation	Vi nom, Io min...Io nom	Vo		±2		%
Protection	Overload		115% -150% rated output power			
			Protection type: Recovers automatically after fault condition is removed			
	Over Voltage		120%-150% rated output Voltage			
		Protection type: Shut off o/p voltage, re-power on to recover				
Short circuit		Recovers automatically after fault condition is removed				

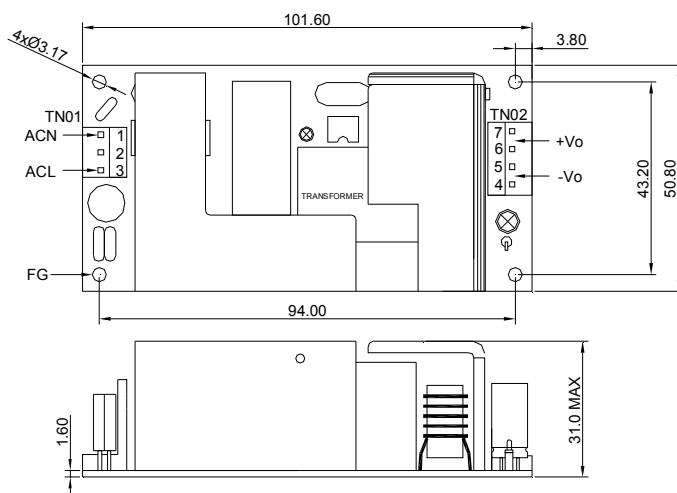
Note. 1. Ripple & noise is measured by using 20 MHz bandwidth, measured with a 47µf paralleled with a high-frequency 0.47µf capacitor across each output by full load.

60Watt,Single Output,AC-DC Open Frame Converter

General Specifications					
Parameters	Conditions	Min	Typ	Max	Units
Switching Frequency	Vi nom,lo nom		65		KHz
Isolation Voltage	Input / Output	3KVac/ 5mA/5Secs			
Isolation Resistance	Input / Output,@500 Vdc	100			MΩ
Operating Temperature	Operating at Vi nom,lo nom	-20		+70	°C
Derating	Vi nom,lo nom+51 to 71°C			2	%/°C
Storage Temperature	Non Operational	-40		+85	°C
Relative Humidity	Vi nom,lo nom			95	% RH
Safety Standards	Design refer to EN60950-1				
EMI Conduction & Radiation	Design refer to EN55022				
EMS Immunity	Design refer to EN55024				
Dimension	L101.6 x W50.8 x H31.0				mm
Cooling	Free air convection				



Markings and dimensions



Notes:

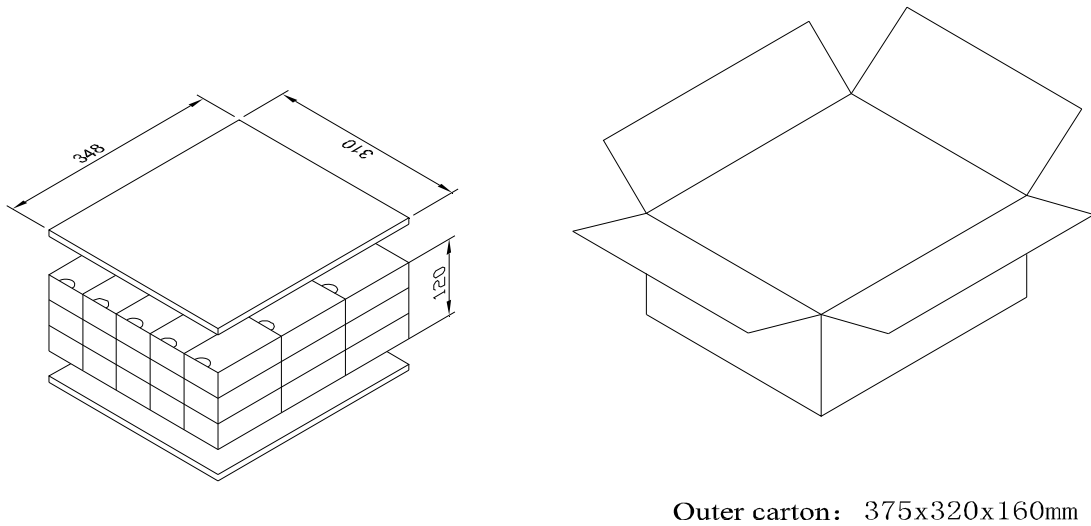
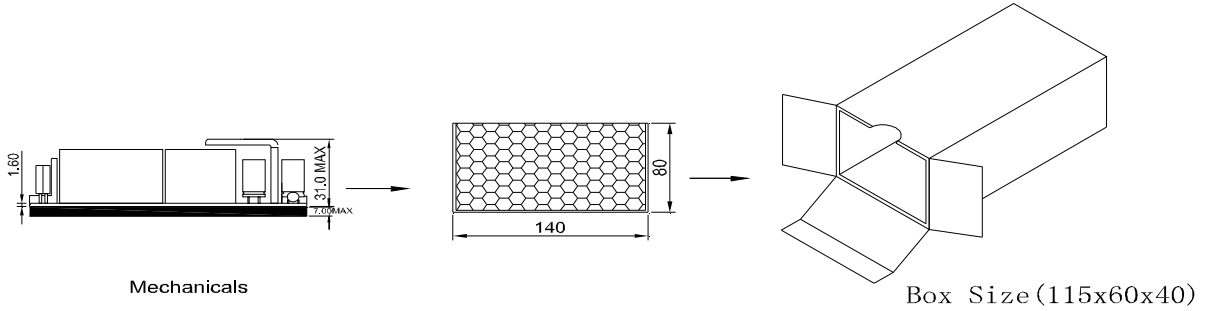
- 1.Input connector mates with SCHMID-M housing 09-50-3031 and SCHMID-M 2478 series crimp terminal.
- 2.Output connector mates with SCHMID-M housing 09-50-304 and SCHMID-M 2478 series crimp terminal.

TN01	Model
PIN	Single Output
1	ACN
2	No PIN
3	ACL
TN02	
4	-Vo
5	-Vo
6	+Vo
7	+Vo

UNIT: mm Unless otherwise specified, all tolerances are ± 0.50

60Watt,Single Output,AC-DC Open Frame Converter

1. Weight: 150grams/pcs
2. outer carton unit : 45 pcs/box
3. Weight: 7.5kg per carton



UNIT:mm