



Motorstart capacitor in double can

Outside can is insulated

Class IP 54

**RoHS compliant
REACH compliant**

Features

- Insulated aluminium can
- Protection according to IP 54
- Connection cable
- Double potted design
- VDE approval for selected products

Applications

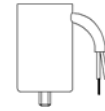
- Motorstart
- Whitegood motorcontrol

Different case sizes, voltages and capacitance combinations are available on request. Also in small lots.

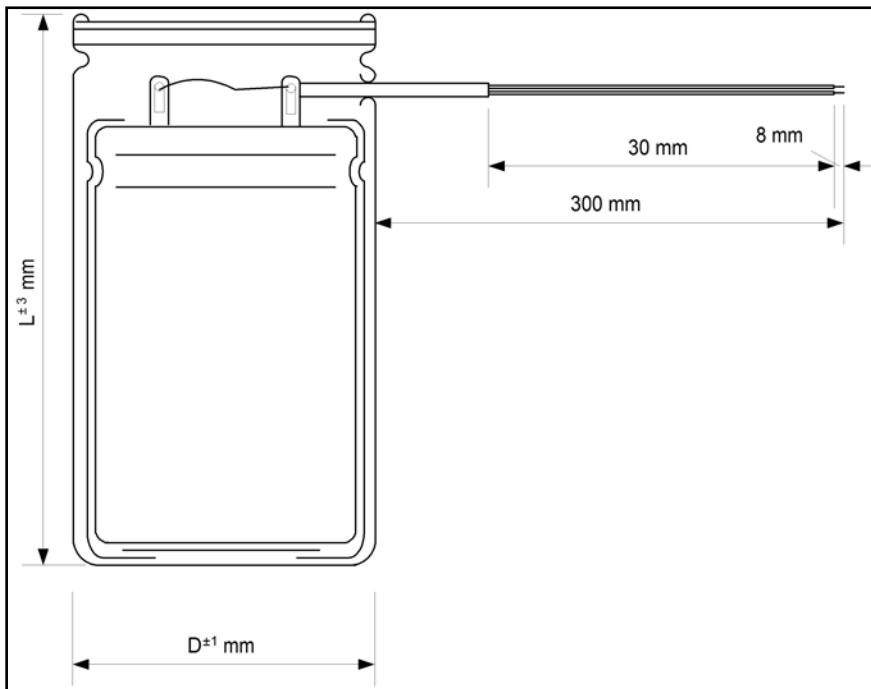
General specifications

Items	Characteristics
<i>Clima category</i>	10/060/21
<i>Tolerance</i>	±10%
<i>Specs. for selected items</i>	VDE DIN EN 60252-2
<i>Content of supply</i>	If mounting stud then with fixing nut
<i>Terminals</i>	Connection cable: normal length 300mm or custom-tailored

<i>The alternated current load may occur at most 20 times per hour with the following values:</i>	
<i>Percentage duty cycle</i>	<i>Ripple current loading</i>
AB 0,55 % ED	20 turn-ons with each 1,0 sec duration
AB 1,50 % ED	20 turn-ons with each 2,7 sec duration
AB 1,70 % ED	20 turn-ons with each 3,0 sec duration



Drawings for series MDK



Standard Values Type MDK

$U_R \sim$ 50-60 Hz	C_R	DC @50 Hz	DC @60 Hz	Dx L	VDE sign	Order code
						Plain base: MDKA...
						Stud mounting: MDKB...
[V]	[μ F]	[%]	[%]	[mm]		
160 $V \sim$	100	1,70	1,36	36,8 x 69	-	10116036,8069
	125	1,70	1,36	36,8 x 69	-	2116036,8069
	140	1,70	1,36	36,8 x 69	-	14116036,8069
	160	1,70	1,36	36,8 x 69	-	16116036,8069
	180	1,70	1,36	36,8 x 69	-	18116036,8069
	200	1,70	1,36	36,8 x 69	-	20116036,8069
	250	1,70	1,36	36,8 x 83	-	25116036,8083
	300	1,70	1,36	36,8 x 83	-	30116036,8083
	350	1,70	1,36	36,8 x 83	-	35116036,8083
	400	1,70	1,36	41,8 x 83	-	40116041,8083
	450	1,70	1,36	41,8 x 83	-	45116041,8083
	500	1,70	1,36	41,8 x 83	-	50116041,8083
850	1,70	1,36	51,8 x 118	-	85116051,8118	
320 $V \sim$	70	0,55	0,44	36,8 x 83	-	70032036,8083
	80	0,55	0,44	36,8 x 83	-	80032036,8083
	90	0,55	0,44	36,8 x 83	-	90032036,8083
	100	0,55	0,44	36,8 x 83	-	10132036,8083
	125	0,55	0,44	36,8 x 83	-	12132036,8083
	140	0,55	0,44	36,8 x 83	-	14132036,8083
	160	0,55	0,44	41,8 x 83	-	16132041,8083

$U_R \sim$ 50-60 Hz	C_R	DC @50 Hz	DC @60 Hz	Dx L	VDE sign	Order code
						Plain base: MDKA...
						Stud mounting: MDKB...
[V]	[μ F]	[%]	[%]	[mm]		
320 $V \sim$	180	0,55	0,44	41,8 x 83	-	18132041,8083
	200	0,55	0,44	41,8 x 83	-	20132041,8083
	250	0,55	0,44	51,8 x 118	-	25132051,8118
	300	0,55	0,44	51,8 x 118	-	30132051,8118
	10	1,70	1,36	36,8 x 72	yes	10032036,8072
	15	1,70	1,36	36,8 x 72	yes	15032036,8072
	20	1,70	1,36	36,8 x 72	yes	20032036,8072
	25	1,70	1,36	36,8 x 72	yes	25032036,8072
	30	1,70	1,36	36,8 x 72	yes	30032036,8072
	40	1,70	1,36	36,8 x 72	yes	40032036,8072
	50	1,70	1,36	36,8 x 85	yes	50032036,8085
	60	1,70	1,36	36,8 x 85	yes	60032036,8085
	70	1,70	1,36	36,8 x 85	yes	70032036,8085
	80	1,70	1,36	41,8 x 85	yes	80032041,8085
	90	1,70	1,36	41,8 x 85	yes	90032041,8085
	100	1,70	1,36	41,8 x 85	yes	10132041,8085
	125	1,70	1,36	51,8 x 85	yes	12132051,8085
	140	1,70	1,36	51,8 x 118	-	14132051,8118
160	1,70	1,36	51,8 x 118	-	16132051,8118	
180	1,70	1,36	51,8 x 118	-	18132051,8118	

Please state additionally to your order:

- cable length (normal length 300mm)
- with or without discharge resistor (22 / 47 / 100 kW)
- with or without stud