

Impedance : 50 ohm  
 Frequency Range : 0-11GHZ  
 VSWR : 1.3 max  
 Voltage Rating : 500 voles rms max  
 Insulation Resistance : 5000 meg ohm min

MATERIAL : BODY-BRASS

CONTACT-BRASS

INSULATOR-TEFLON

SHELL-BRASS

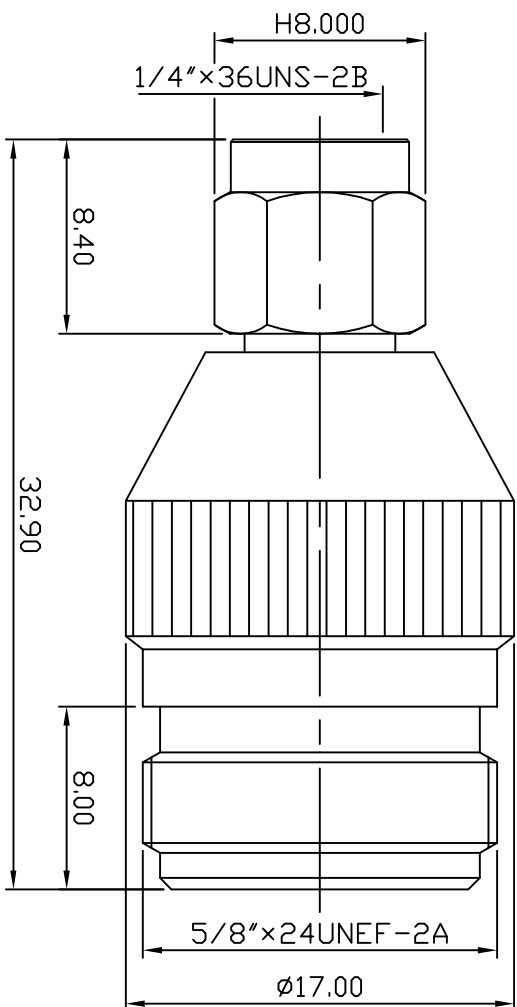
C WASHER-SUS 304

GASKET-SILICONE

FINISH : BODY-NICKEL PLATING

SHELL-NICKEL PLATING

CONTACT-GOLD PLATING OVER NICKEL



DIMENSIONS ARE IN MILLIMETERS  
 TOLERANCE

±0.5  
 ±0.1  
 ±0.05

ANGLE  $\pm 3^\circ$

SCALE 3:1

REV A-1

DRAWN

DATE

90.10.04

APPROVAL

DATE

FILE NO

**SCHMID-M**

TITLE SMA MALE TO N FEMALE

DRAWING NO SMap-Nj-602-TGN