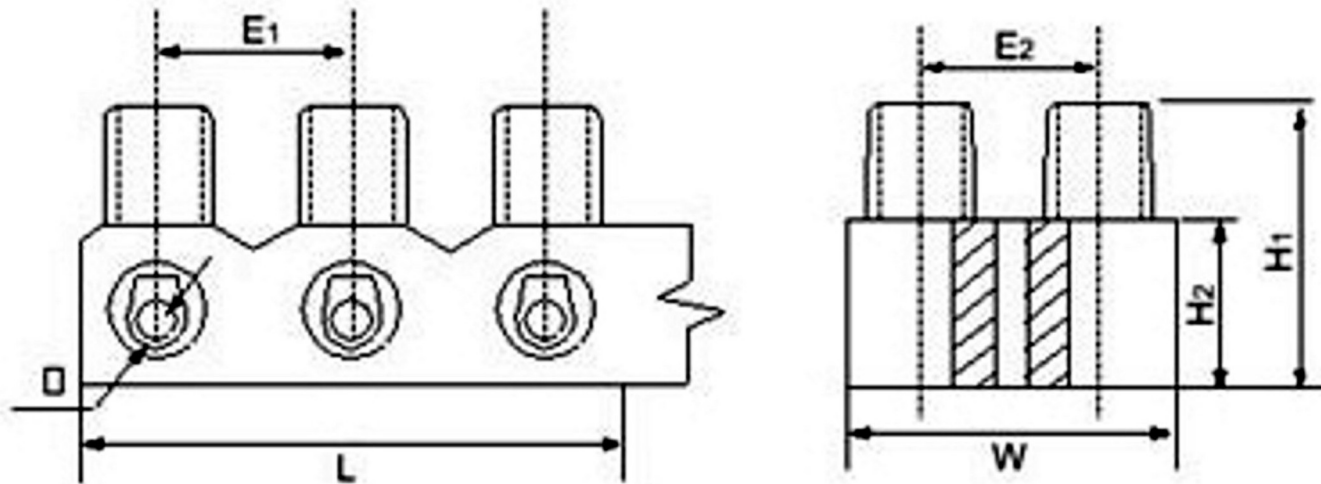


Item no.	Spec.	L	W	H1	H2	?	E1	E2	Screw size	Material
		mm								
SM C09 711511 XX	15A 12mm <sup>2</sup>	136.3	24.6	16.5	11	4.5	11.5	10.5	M3.5 x 6	Bakelite



RoHS Compliant		<b>SCHMID-M</b>	
APPD.		TOLERANCE	PART NAME
DWG.	BRAUN	0 ± .00 ± ANG. ±	Fuse Terminal Block
DATE	2013/05/14	UNIT M M	PART NO.
		PAGE 1 OF 1	SM C09 711511 XX
		REV. A 4	