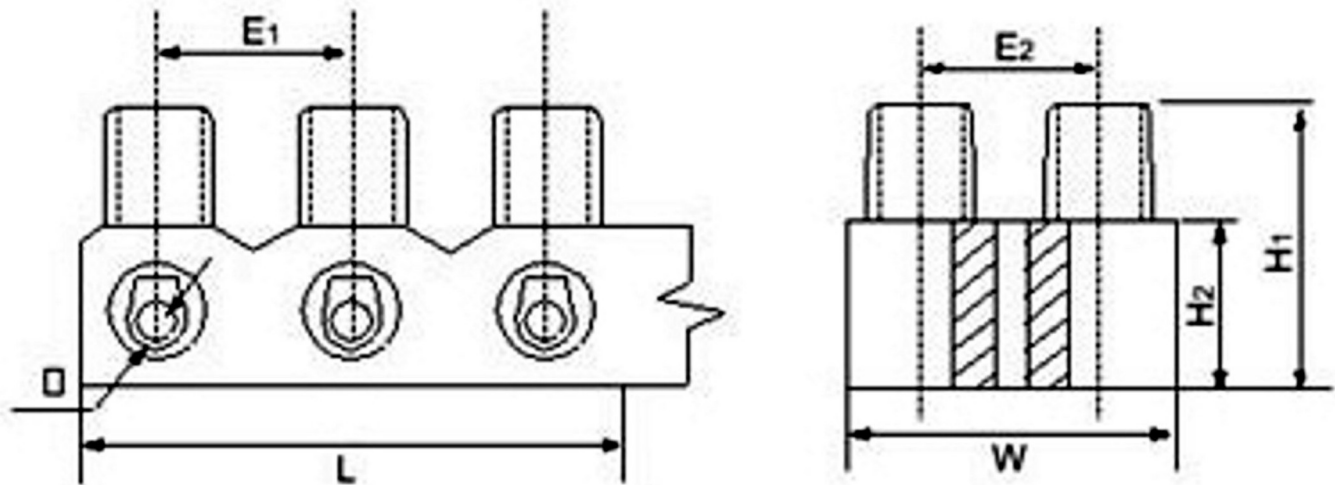


Item no.	Spec.	L	W	H1	H2	?	E1	E2	Screw size	Material
		mm								
SM C09 710011 XX	6A 6mm ²	117.5	20.1	15.1	10	3.3	10	9.2	M3 x 5	Bakelite



RoHS Compliant		SCHMID-M	
APPD.		TOLERANCE	PART NAME
DWG. BRAUN	SCALE	0 ± .00 ± ANG. ±	Fuse Terminal Block
DATE 2013/05/14	UNIT M M	SIZE. A 4	PART NO.
	PAGE 1 OF 1	REV. A	SM C09 710011 XX