

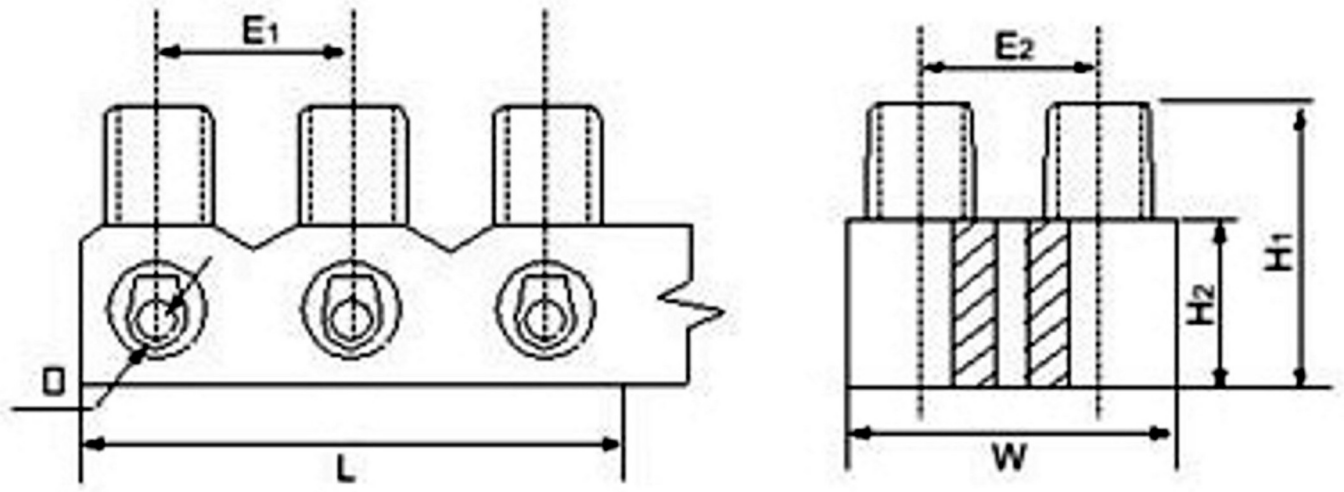
1 2 3 4 5 6 7 8

A

Item no.	Spec.	L	W	H1	H2	?	E1	E2	Screw size	Material
		mm								
SM C09 79711 XX	5A 4mm ²	114.5	16.5	13.5	10	3.3	9.7	7.1	M2.5 x 4	Bakelite

A

B



B

C

C

D

D

E

E



F

F

G

G

H

H

1 2 3 4 5 6 7 8

RoHS Compliant		SCHMID-M	
APPD.		TOLERANCE	PART NAME
DWG. BRAUN	SCALE	0 ± .00 ± ANG. ±	Fuse Terminal Block
DATE 2013/05/14	UNIT M M	SIZE. A 4	PART NO.
	PAGE 1 OF 1	REV. A	SM C09 79711 XX