

SP3T-6T Normally Open Type
SMA DC-18GHZ



RF SPEC.

Frequency Range	DC-3GHZ	3-6GHZ	6-12GHZ	12-18GHZ
VSWR	<1.20	<1.30	<1.40	<1.50
Insertion Loss	<0.2dB	<0.3dB	<0.4dB	<0.5dB
Isolation	>80dB	>70dB	>60dB	>60dB
Power Handling(CW)	100W	70W	50W	40W

. RF Impedance: 50 ohm

. Operating Voltage: DC12V/300mA

(Option:DC24V/150mA,DC28V/140mA)

. Switching Time: <15ms

. Life:>2000000cycles

. Switching Sequence:Break Before Make

. Operating Temperature: -40 ~ +85°C

. RF Interface: SMA female

P/N SPEC.

P/N: 1S

3T 1 2 DC12V 0 3 DC-3GHZ NO TTL

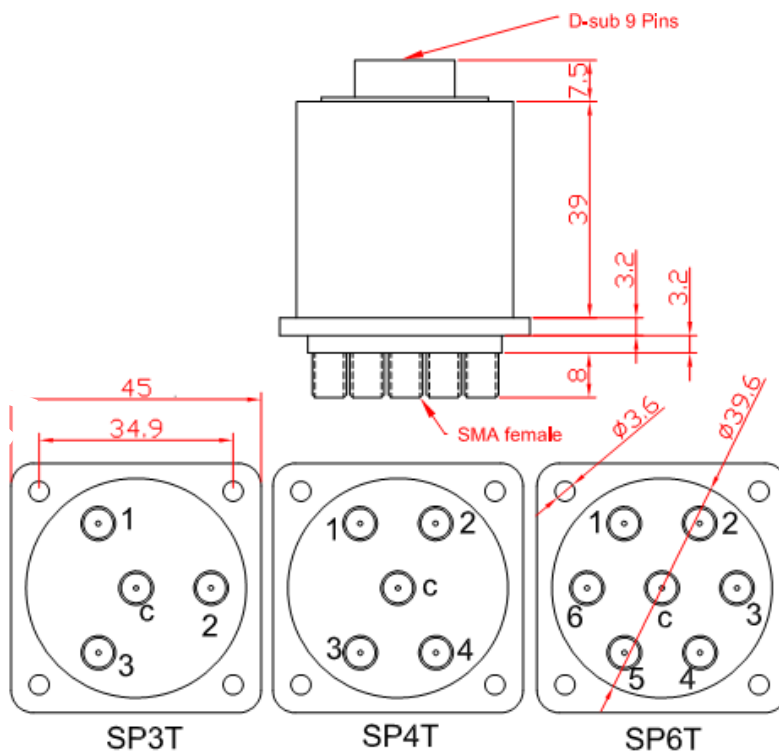
4T 2 4 DC24V 0 6 DC-6GHZ T TTL

5T 2 8 DC28V 1 2 DC-12GHZ

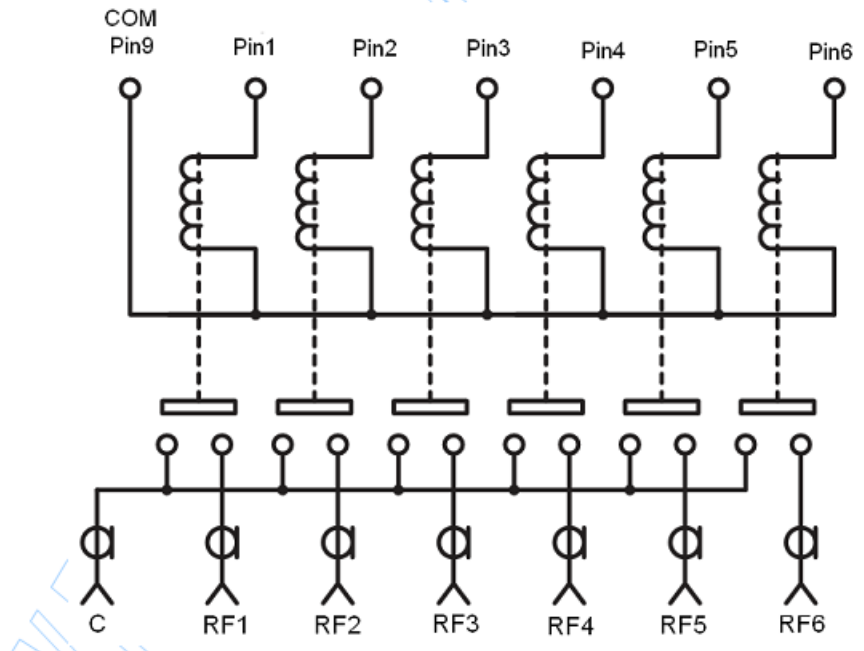
6T 1 8 DC-18GHZ

Sample: 1S41212T: SMA SP4T/DC12V/DC-12GHZ/TTL Control

SIZE:



SP3T-6T Schematic Shown in Normally Open



SP3T-6T Schematic Shown in Normally Open With TTL Control

