

Application

- . Limit Space Assembly
- . RF test and measurement
- . Broadband wireless
- . ATE(Automatic Test Equipment)



Features

- . Small size:only 1/2 size as Normally 25.4*35*55mm
- . Two type for fixed
- . RF signal hot switching power **5W**
- . Low insertions
- . Normally Open Type

RF SPEC.

Frequency Range	DC-3GHZ	3-6GHZ	6-12GHZ	12-18GHZ
VSWR	<1.20	<1.30	<1.40	<1.50
Insertion Loss	<0.2dB	<0.3dB	<0.4dB	<0.5dB
Isolation	>80dB	>70dB	>60dB	>60dB
Power Handling(CW)	100W	70W	50W	40W

- RF Impedance: 50 ohm
- Operating Voltage: DC12V/300mA ;DC24V/150mA,DC28V/140 (Option DC5V/600mA)
- Switching time: <20ms
- Operating Life> 1000000
- Switching Sequence: Break Before Make
- Operating Tempertue: -30 ~ +65°C (Option: -40 ~ +85°C)
- RF Interface: SMA female

P/N SPEC.

Series	RF Channels	Operating Voltage	Frequency Range	TTL Fuction	Product appearance
P/N: 1SS	<input type="checkbox"/>	<input type="checkbox"/> <input type="checkbox"/>	<input type="checkbox"/> <input type="checkbox"/>	<input type="checkbox"/>	<input type="checkbox"/>
	<input type="checkbox"/> 3T	<input type="checkbox"/> 1 <input type="checkbox"/> 2 DC12V	<input type="checkbox"/> 0 <input type="checkbox"/> 3 DC-3GHZ	<input type="checkbox"/> NO TTL	<input type="checkbox"/> A Pannel Mount
	<input type="checkbox"/> 4T	<input type="checkbox"/> 2 <input type="checkbox"/> 4 DC24V	<input type="checkbox"/> 0 <input type="checkbox"/> 6 DC-6GHZ	<input type="checkbox"/> T With TTL	<input type="checkbox"/> B Not Pannel Mount
		<input type="checkbox"/> 2 <input type="checkbox"/> 8 DC28V	<input type="checkbox"/> 1 <input type="checkbox"/> 2 DC-12GHZ		
		<input type="checkbox"/> 0 <input type="checkbox"/> 5 DC 5 V	<input type="checkbox"/> 1 <input type="checkbox"/> 8 DC-18GHZ		

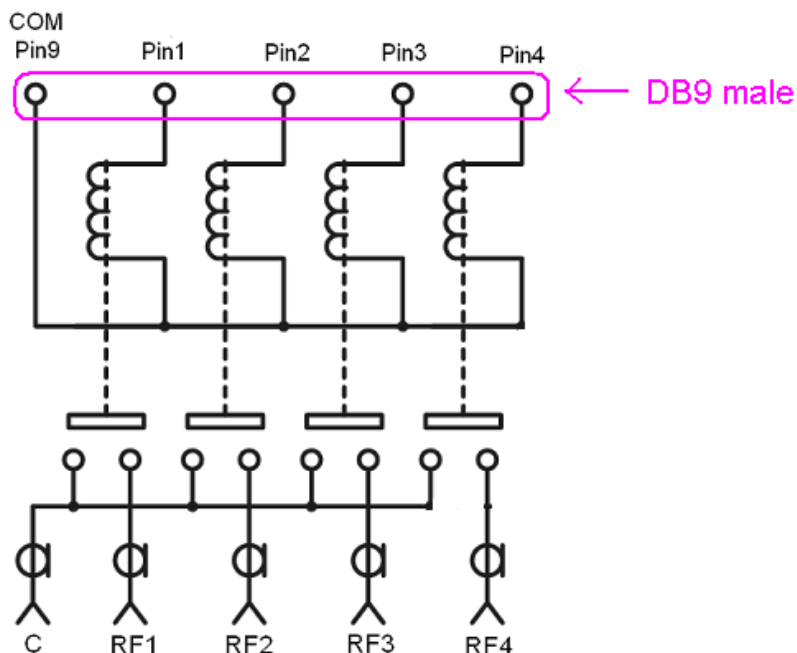
P/N Sample:

1SS3 12 06 TA (SP3T/DC12V /DC-6GHZ /With TTL /Pannel Mount)

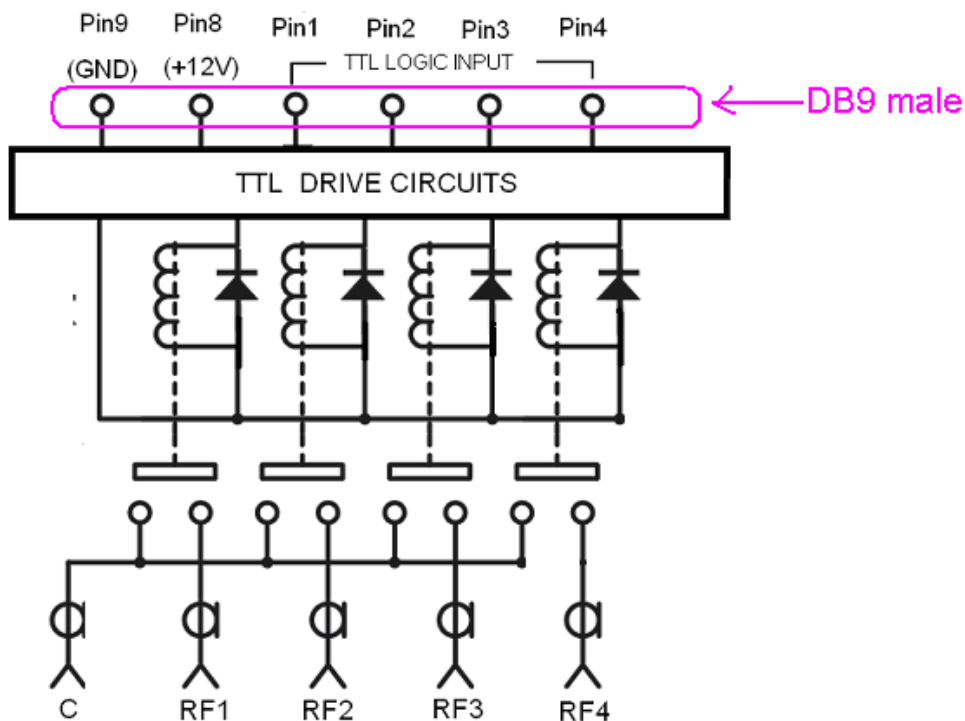
1SS4 24 18 B (SP4T/DC24V /DC-18GHZ /No TTL/Not Pannel Mount)

Schematic

No TTL Control



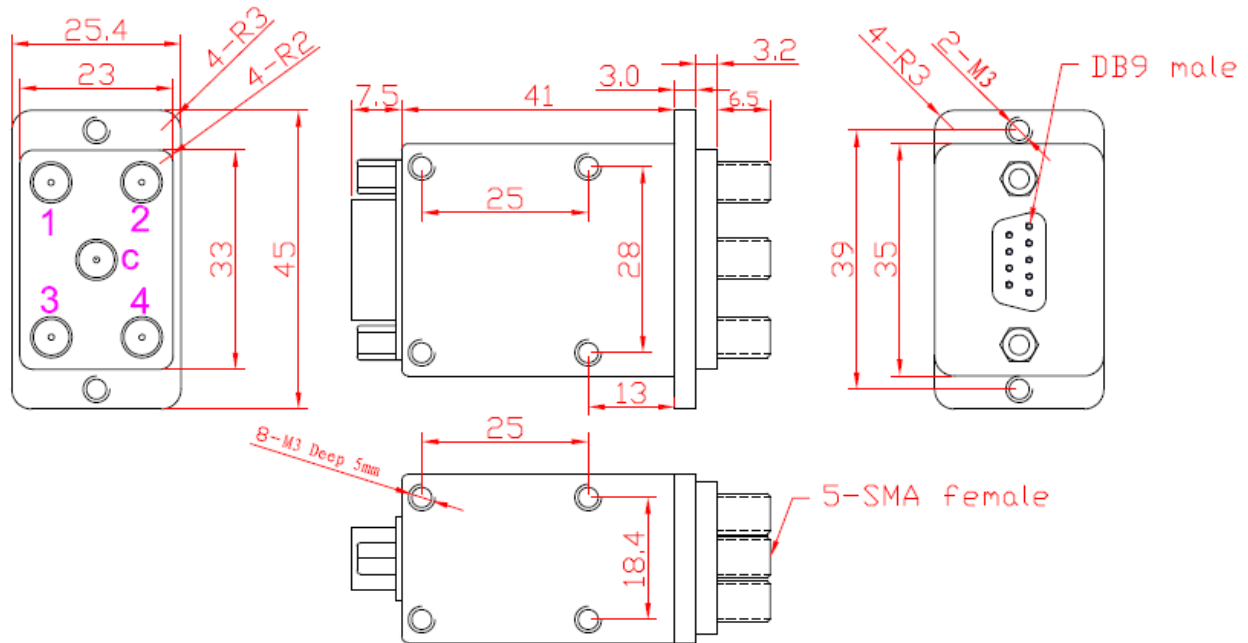
With TTL Control



- TTL Logic Level: High Level "1" 2.5-5.0V ; Low Level "0" 0-0.8V
- High Level Drive

Outline Drawing (mm) :

A (Panel Mount)



B (Not Panel Mount)

