

**SPEC.**

Frequency Range:DC-3GHZ

Type: Faisafe

Impedance: 75 ohm

Insertion Loss DC-1GHZ 1-2GHZ 2-3GHZ

<0.25dB <0.5dB <0.8dB

<1.15 <1.30 <1.50

>65dB >50dB >40dB

Isolation

Switching Time:< 10ms ( APPRO.5ms )

Max. Power : 40dBm ( 10W )

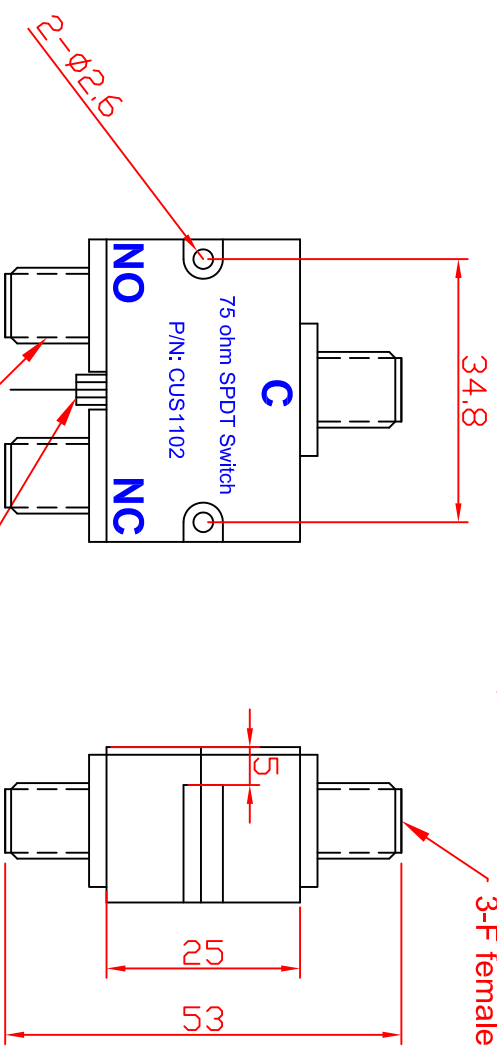
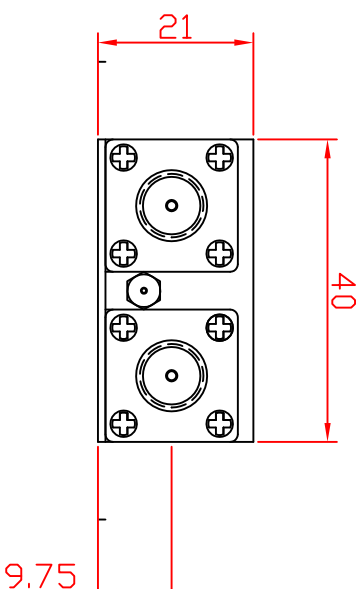
DC Carried:24V/0.5A

Switching Life:>300000 cycles (1GHZ@1W)

Operating Temperature:-40 - 70 degree

Working Voltage:DC12V/ 20mA(9-14V)

Interface: F female



3/8-32UNEF-2A

SPDT RF Switch				CUS1103
Faisafe Type ( 75 ohm )				
2011-3-16				
A	B	C	1:1	1