

N Type Transfer Switch

Latching Type DC-3GHZ With Indicator

P/N: L2N22403I

Use in: 2X2 RF Matrix

High Power RX/TX

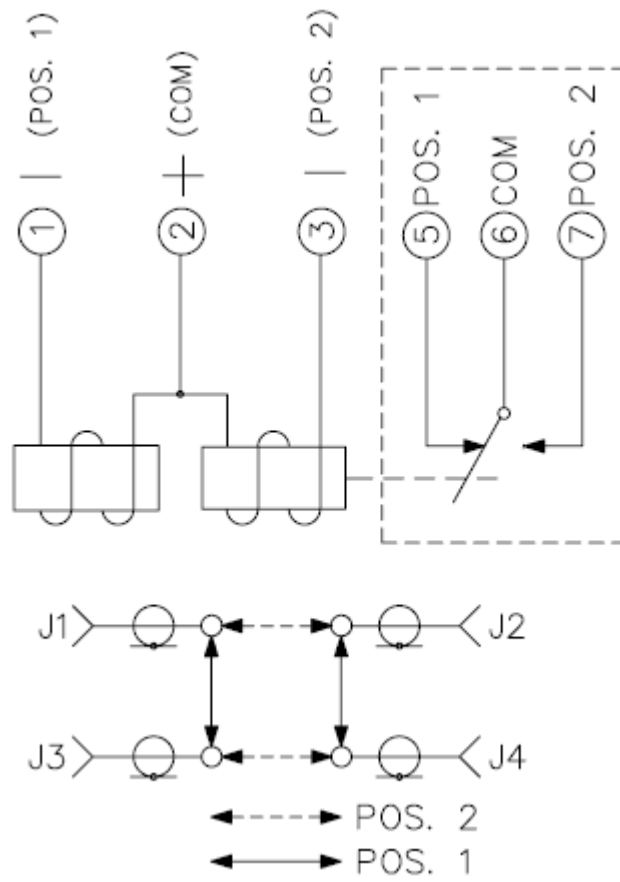


RF SPEC.

Frequency Range	DC-1GHZ	1-2GHZ	2-3GHZ
VSWR	<1.15	<1.20	<1.25
Insertion Loss	<0.10dB	<0.20dB	<0.30dB
Isolation	>80dB	>70dB	>60dB
Power Handing(CW)	200W	150W	100W

- . RF Impedance: 50 ohm
- . Operating Voltage: DC24+/-10%V/400mA (Option DC12V)
- . Switching Time: <15ms
- . Life:>100000 cycles
- . Switching Sequence:Break Before Make
- . Operating Temperature: -30 ~ +70°C
- . RF Interface: N female
- . Indicator Rating DC5V/20mA
- . Control interface: DB9 male

Digaram



Drawing (mm) :

