

**NP3T-6T Normally Open Type**  
**N DC-12.4GHZ High Power**

RF SPEC.

Frequency Range	DC-3GHZ	3-6GHZ	6-12.4GHZ
VSWR	<1.20	<1.30	<1.60
Insertion Loss	<0.2dB	<0.3dB	<0.8dB
Isolation	>80dB	>70dB	>60dB
Power Handling(CW)	600W	400W	300W

. RF Impedance: 50 ohm

. Operating Voltage: DC12V/275mA

DC24V/160mA

. Switching Time: <15ms

. Life:>1000000cycles

. Switching Sequence:Break Before Make

. Operating Temperature: -40 ~ +75°C

. RF Interface: N female

P/N: 1HN

3T  1  2 DC12V  0  3 DC-3GHZ  NO TTL

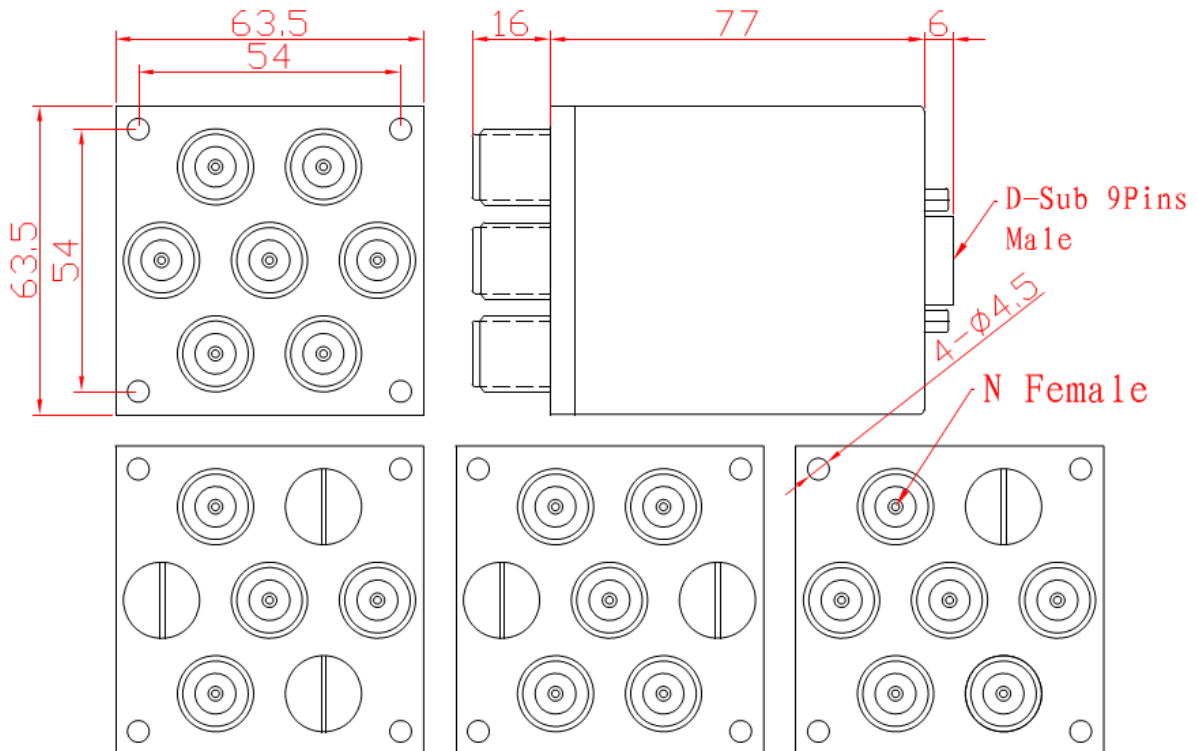
4T  2  4 DC24V  0  6 DC-6GHZ  T TTL

5T  1  2 DC-12GHZ

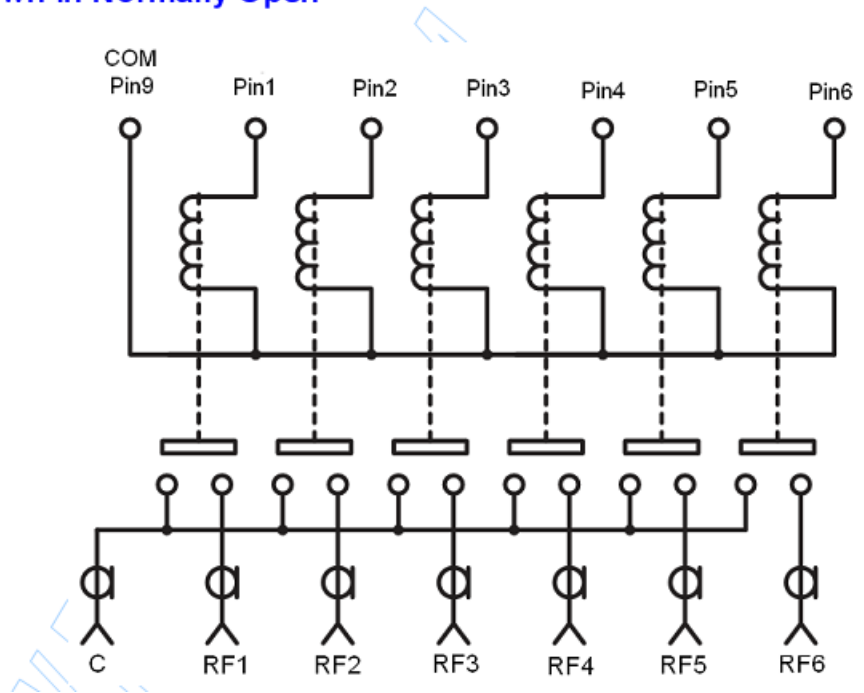
6T

**Sample: 1HN4120312: N SP4T/DC12V/DC-3GHZ**

SIZE:



SP3T-6T Schematic Shown in Normally Open



SP3T-6T Schematic Shown in Normally Open With TTL Control

