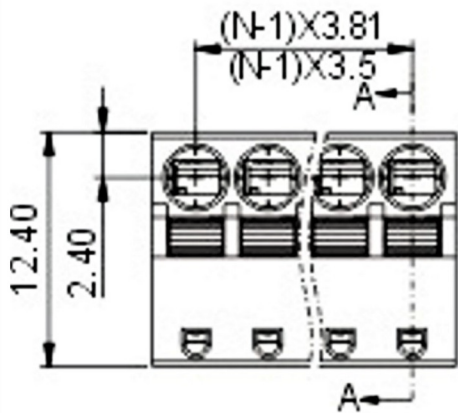
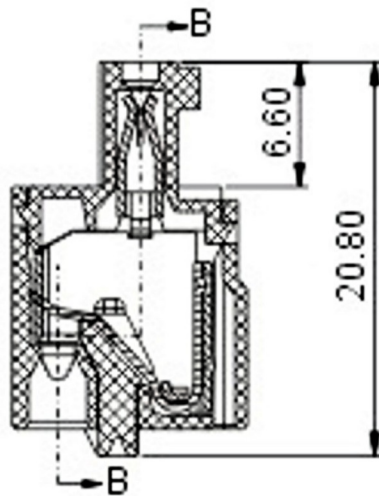
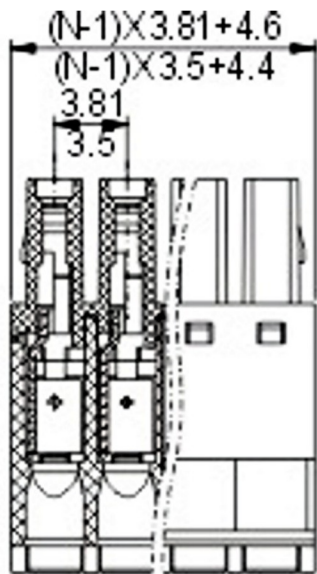


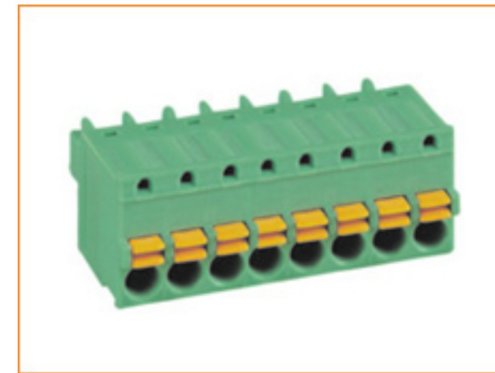
1 2 3 4 5 6 7 8

A
B
C
D
E
F
G
H

A
B
C
D
E
F
G
H



Standard	UL	VDE
Rated voltage	300V	250V
Rated current	8A	7A
Wire range	28-16AWG	0.5-1.5mm ²
Withstanding voltage	AC2000V/1Min	
Ambient temperature	(-)40°C to +105°C	
Strip length	7mm	
Pitch	3.50/3.81 mm (.150")	
Poles	2P, 3P --Any poles	
Housing	PA66, UL94V-0	
Contact	Brass, Ni plated	
Wire Guard	Stainless Steel	



RoHS Compliant		SCHMID-M	
APPD.	SCAIF	TOLERANCE XX ± 0.25 XX ± 0.35 ANG. ±	PART NAME Pluggable Terminal Block 3,50mm Spring Style Without Fix Screws
DWG. HELGA	UNIT M M	SIZE. A 4	PART NO. SM C09 0351 XX COC
DATE 2013/10	PAGE 1 OF 1	REV. C	

1 2 3 4 5 6 7 8