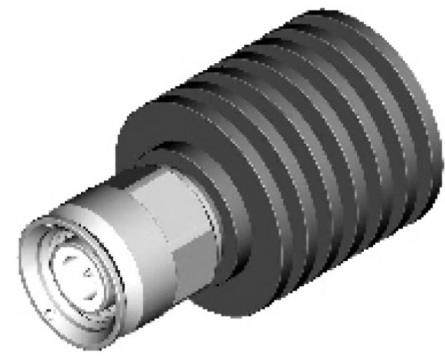



Suitable Cable: 50 Ohm
 Frequency Range: 0-8 GHz
 VSWR: ≤1.30
 Power Capacity: 5 W



APPD.		 SCALE	TOLERANCE	PART NAME Termination
DWG.	HELGA		$XX \pm 0.25$ $XX \pm 0.35$ ANG. \pm	
DATE	2013/10	UNIT	SIZE	PART NO. TNC-50JRG-5W
		M M	A 4	
		PAGE	REV.	
		1 OF 1	C	

RoHS
Compliant

SCHMID-M