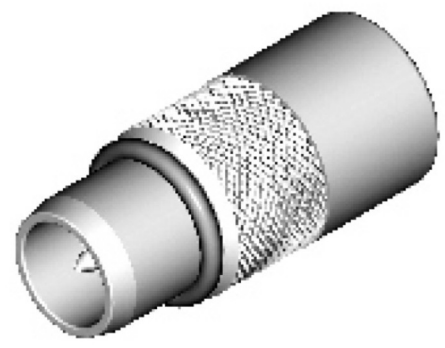



Suitable Cable: 50 Ohm
 Frequency Range: 0-18 GHz
 VSWR: ≤ 1.30
 Power Capacity: 0.5 W



APPD.		 SCALE	TOLERANCE	PART NAME Termination
DWG. HELGA			$XX \pm 0.25$ $XX \pm 0.35$ ANG. \pm	
DATE 2013/10		UNIT MM	SIZE A 4	PART NO. BMA-50JR
PAGE 1 OF 1		REV. C		

RoHS Compliant

SCHMID-M