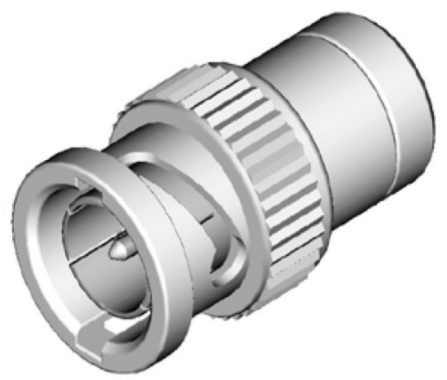



Suitable Cable: 75 Ohm
 Frequency Range: 0-1 Ghz
 VSWR: =<1.30
 Power Capacity: 1 W



APPD.		 SCAL F	TOLERANCE	PART NAME Termination
DWG.	HELGA		$XX \pm 0.25$ $XX \pm 0.35$ ANG. \pm	
DATE	2013/10	UNIT	SIZE.	PART NO. BNC-75JR
		MM	A 4	
		PAGE	REV.	
		1 OF 1	C	

RoHS Compliant

SCHMID-M