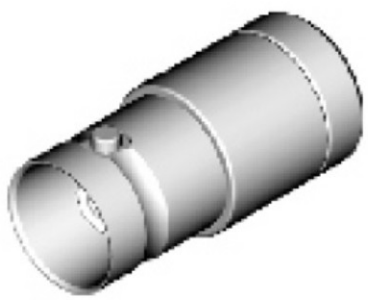



Suitable Cable: 50 Ohm  
 Frequency Range: 0-2 Ghz  
 VSWR: =<1.30  
 Power Capacity 1 W



APPD.		 SCALE	TOLERANCE	PART NAME Termination
DWG. HELGA			$XX \pm 0.25$ $XX \pm 0.35$ ANG. $\pm$	
DATE 2013/10		UNIT M M	SIZE A 4	PART NO. BNC-50KR
PAGE 1 OF 1		REV. C		

RoHS Compliant

**SCHMID-M**