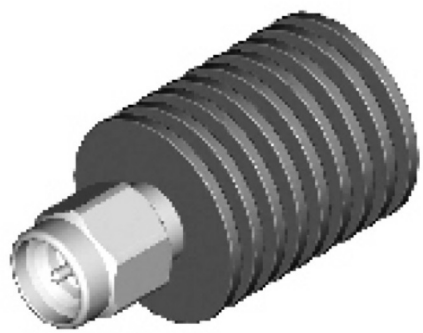



Suitable Cable: 50 Ohm  
 Frequency Range: 0-18 Ghz  
 VSWR: =<1.30  
 Power Capacity 5 W



APPD.		 SCALE	TOLERANCE	PART NAME Termination
DWG.	HELGA		$XX \pm 0.25$ $XX \pm 0.35$ ANG. $\pm$	
DATE	2013/10	UNIT	SIZE	PART NO. SMA-50JR-5W
		MM	A 4	
		PAGE	REV.	
		1 OF 1	C	

RoHS  
Compliant

**SCHMID-M**