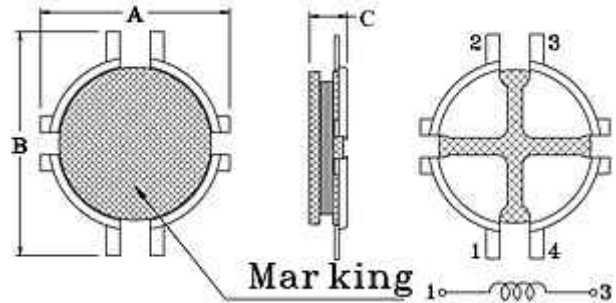


SMD Power Inductor – SVLP Series



Features

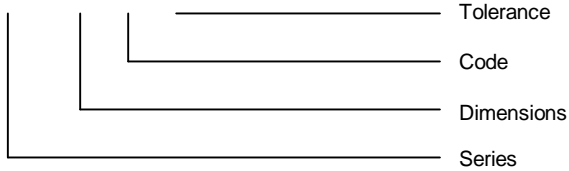
- SMD Power Coil for power supplies
- Open magnetic path construction based on a low-height drum core
- Supports large current

Dimensions

Part No.	A	B	C
SVLP0515	5.4 ± 0.1	6.3 ± 0.2	1.5 Max.
QTY/REEL	4000pcs.		

Ordering Information

SVLP 0515 -4R7 M



Characteristics

Tolerance: M = $\pm 20\%$, M tolerance is standard.

Part No.	L (μH)	Test Frequency (KHz)	RDC Max. (Ω)	IDC Max. (A)
SVLP0515-2R7M	2.7	100	0.17	1.26
SVLP0515-4R7M	4.7	100	0.24	1.08
SVLP0515-6R8M	6.8	100	0.30	0.90
SVLP0515-100M	10	100	0.45	0.72
SVLP0515-150M	15	100	0.71	0.63
SVLP0515-220M	22	100	0.96	0.50
SVLP0515-330M	33	100	1.47	0.41
SVLP0515-470M	47	100	1.93	0.36