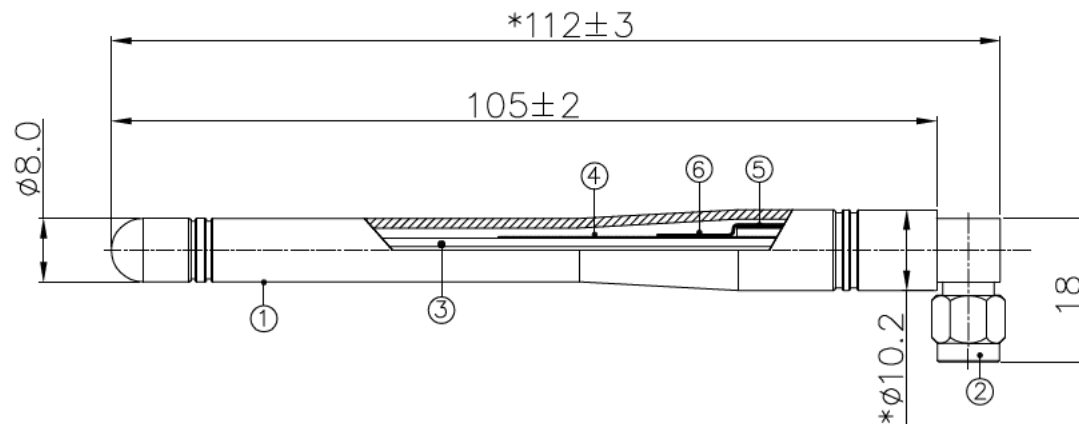


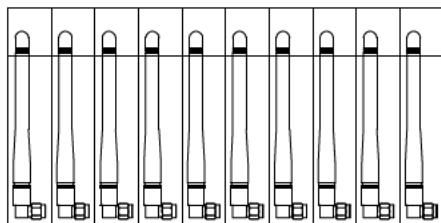
REV	DATE	DESCRIPTION
X1	03/24-2025	New Issue



**1.ELECTRICAL PROPERTIES:**

- 1.1 Frequency Range.....698-960MHz/2170-3800MHz
- 1.2 Impedance.....50 Ohm Nominal
- 1.3 VSWR..... 3.5(Max)@698-960MHz  
2.5(Max)@1710-2690MHz  
5.5(Max)@3300-3800MHz:

- 2.These Products are in conformity with ROHS 2.0
- 3.With"\*"Is Important Dimension



20PCS

6	PE,	1	
5	ø3 5mm,	1	
4	ø6 0mm,	1	
3	Cable LMR195	1	
2	90 RP-SMA MALE,	1	201-1-0108(X1)
1	TPEE,	1	
NO	DESCRIPTION	Q'TY	REMARK

CUSTOMER'S SINGATURE

XXX.	±2.0	APPROVED	CUSTOMER:		
XX.	±1.0		PART NO: <b>SM ANT 125 05768 SMA</b>		
X.	±0.5	CHECKED	PART NAME: RF Antenna Assembly		
.X	±0.3		Z&X P/NO:		
.XX	±0.1	DRAWING	REV	UNIT	FILE:
⊕	☞		Paul	X3	mm

**SCHMID-M**