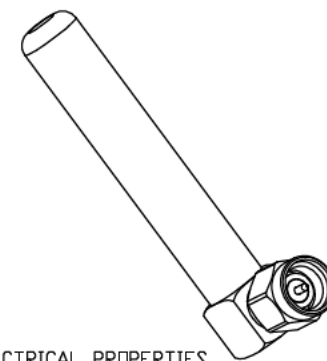
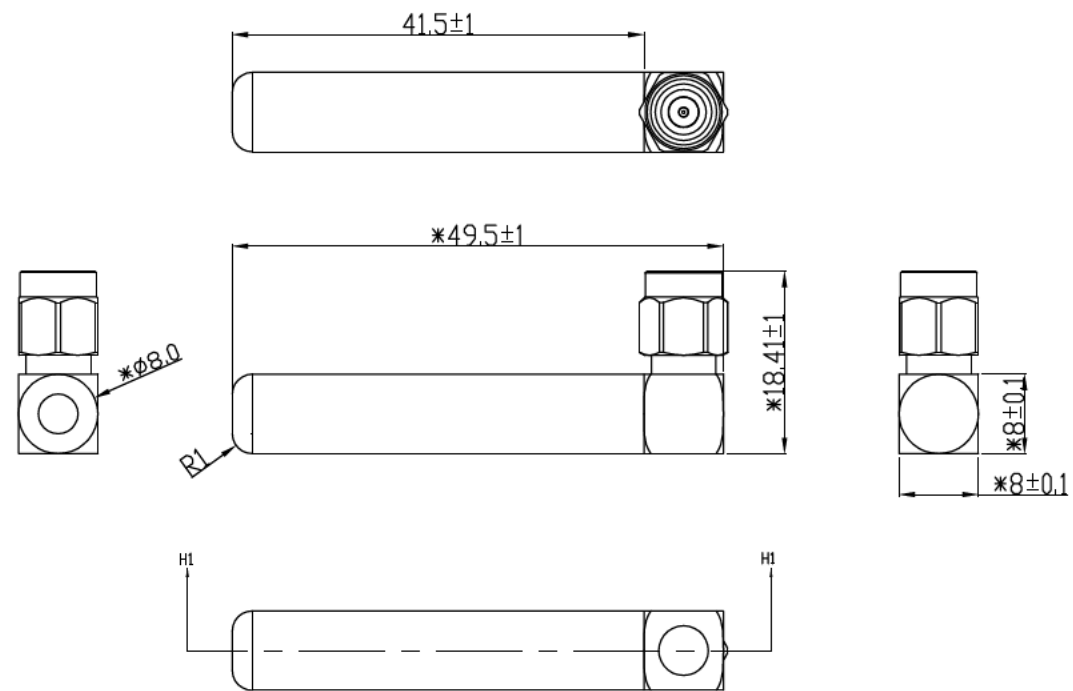


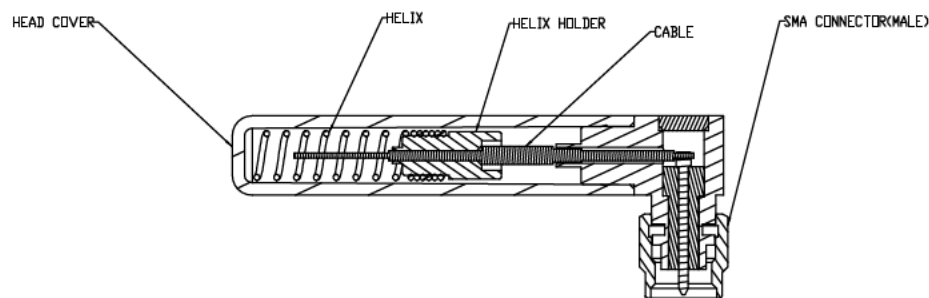
REV	DATE	DESCRIPTION
X1	03/24-2025	New Issue



NOTE:

- ELECTRICAL PROPERTIES
- 1.FREQUENCY : 824 ~ 960MHz;1710 ~ 2170MHz
  - 2.IMPEDANCE : 50 Ohms nominal
  - 3.Return loss:-4.0@824 ~ 960MHz  
-6.0@1710 ~ 2170MHz
  - 4.ADMITTED POWER RADIATION : 2W
  - 5.TYPE OF RADIATION : OMNIDIRECTIONAL
  - 6.POLARIZATION : VERTICAL

- MECHANICAL PROPERTIES
- 1.OPERATING TEMPERATURE RANGE : -30C~+75C
  - 2.STORAGE TEMPERATURE RANGE : -30C~+75C
  - 3.ANTENNA HEAD COVER MATERIAL : TPEE
  - 4.PLASTIC COLOR : BLACK
  - 5.ROHS COMPLIANT
  - 6.NO RECYCLE MATERIAL BE USED
  - 7.ALL DIMS MUST BE CHECKED
  - 8.ROHS 2.0 COMPLIANT



SECTION HI-HI

5	CABLE	RG-178Cable.Brown;40.5mm	1	101-1-00006
4	HELIX HOLDER	Brass	1	401-1-0009
3	HELIX	T=0.6mm	1	403-1-0004
2	CONNECTOR	SMA CONNECTOR(MALE)	1	201-1-0017
1	HEAD COVER	TPEE,Black	1	301-1-0004
NO	DESCRIPTION		Q'TY	REMARK

CUSTOMER'S SINGATURE	XXX.	±2.0	APPROVED	CUSTOMER:		
	XX.	±1.0		PART NO: SM ANT 90-60151-SMA		
	X.	±0.5	CHECKED	PART NAME: RF ANTENNA ASSEMBLY		
	.X	±0.2		Z&X P/NO:		
	.XX	±0.1	DRAWING	SKY	REV	UNIT
			Paul	A	mm	SHEET: 1/1

