

# **Patron**

*Passive Elektronik*

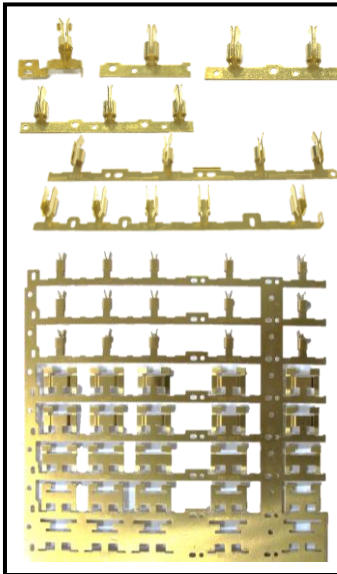
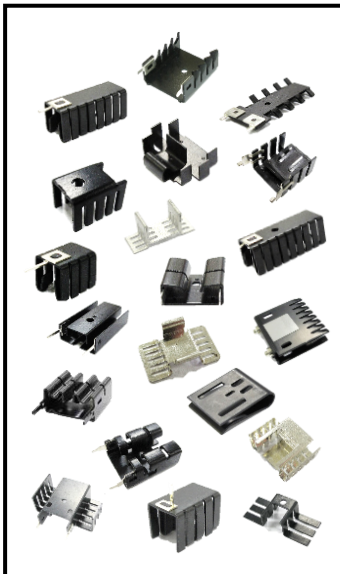
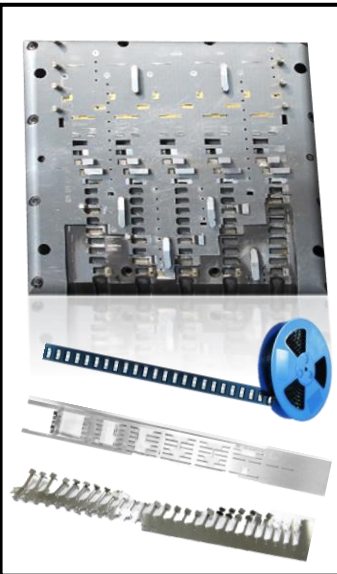
## **Progressive Tooling**

**Design &  
Fabrication**

**Board Level  
Heat Sinks**

**Copper  
Bussbar**

**Other  
Stamping**

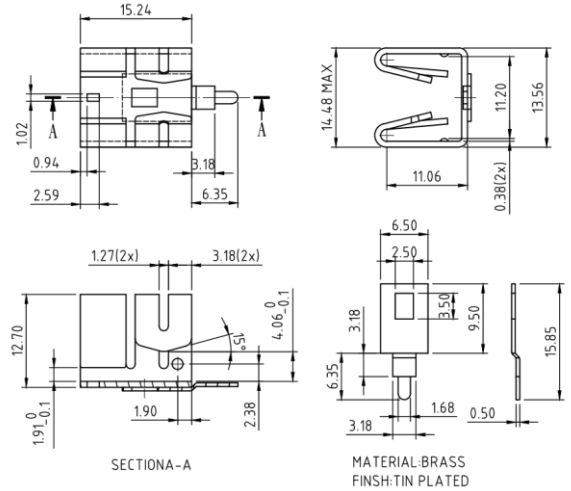


**Custom and Standard Stamping Products**

## PAT-001A-0301 (AL5052 T=0.8 mm Black Anodized)



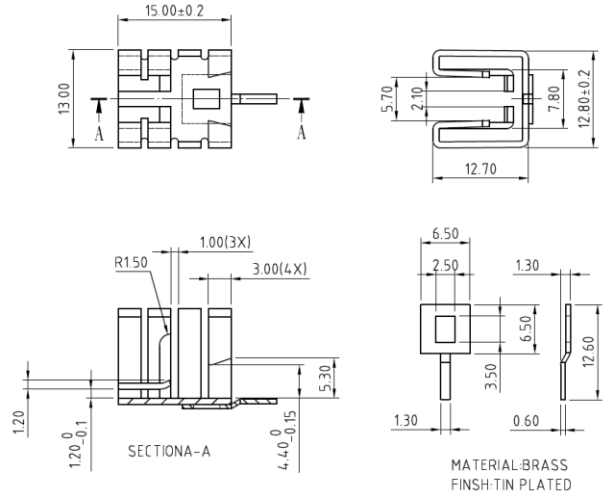
**Thermal Resistance** 36  
**Package Cooled** TO-220  
 TO-262



## PAT-001A-0401 (AL5052 T=0.8 mm Black Anodized)



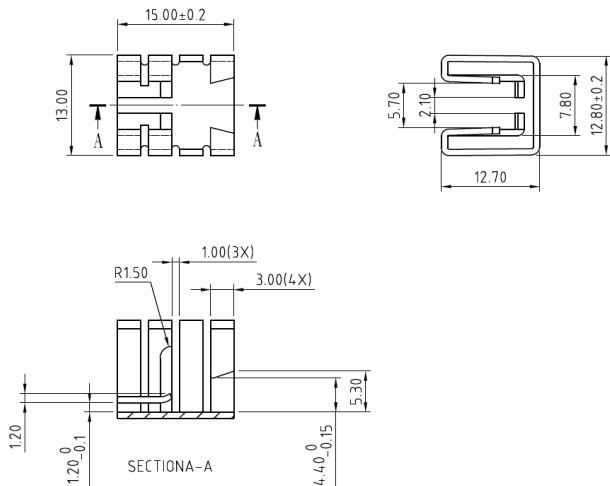
**Thermal Resistance** 35  
**Package Cooled** TO-220  
 TO-262



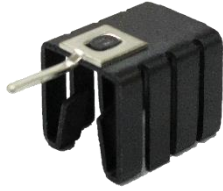
## PAT-001A-0403 (AL5052 T=0.8 mm Black Anodized)



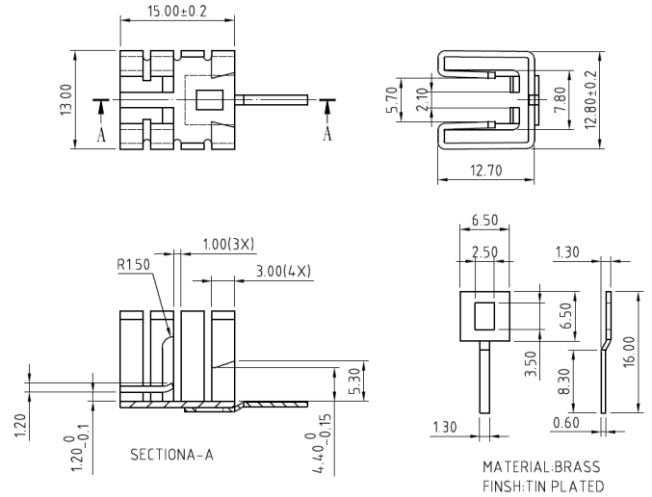
**Thermal Resistance** 35  
**Package Cooled** TO-220  
 TO-262



## PAT-001A-0404 (AL5052 T=0.8 mm Black Anodized)



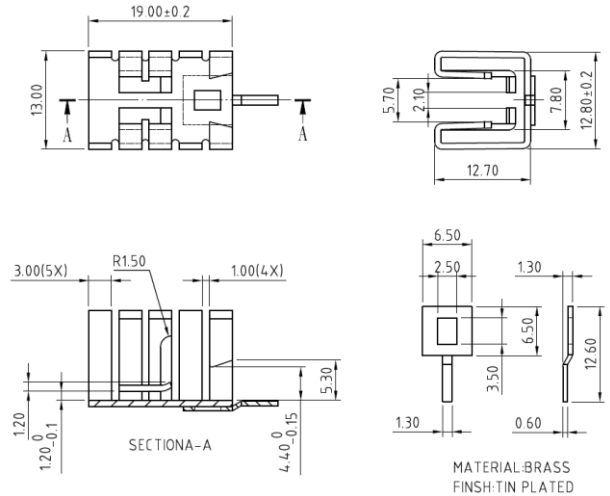
**Thermal Resistance** 35  
**Package Cooled** TO-220  
 TO-262



## PAT-001A-0501 (AL5052 T=0.8 mm Black Anodized)



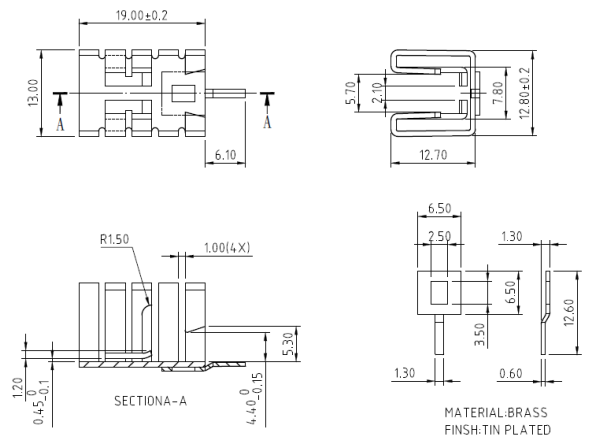
**Thermal Resistance** 27.3  
**Package Cooled** TO-220  
 TO-262



## PAT-001A-0501-1 (AL5052 T=0.8 mm Black Anodized)



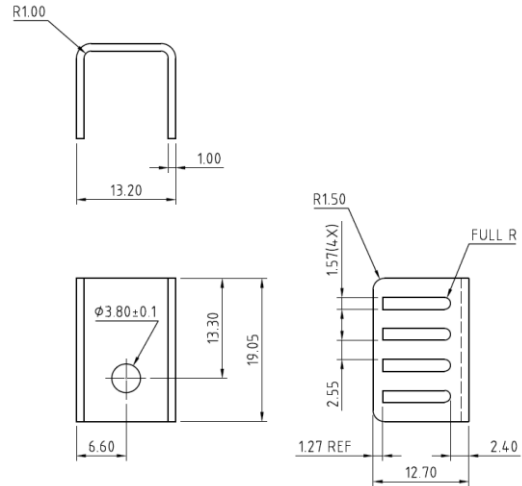
**Thermal Resistance** 27.3  
**Package Cooled** TO-220  
 TO-262



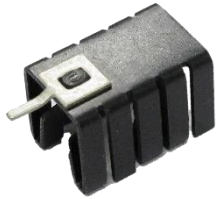
## PAT-001A-0501-A (AL5052 T=0.8 mm Black Anodized)



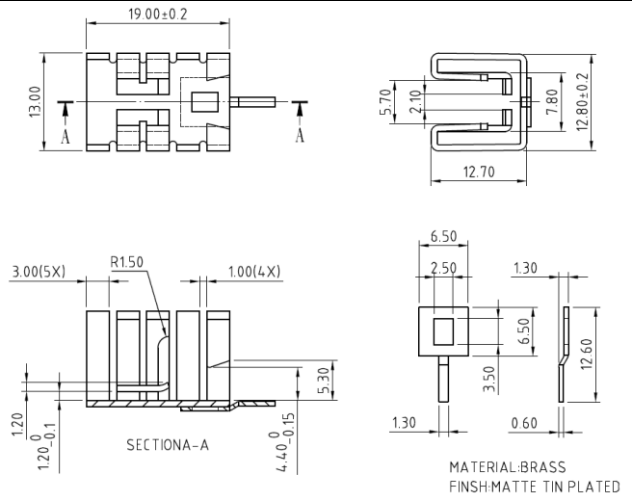
**Thermal Resistance** 27.3  
**Package Cooled** TO-220  
 TO-262



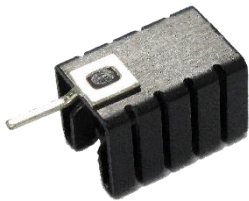
## PAT-001A-0501-PM (AL5052 T=0.8 mm Black Anodized)



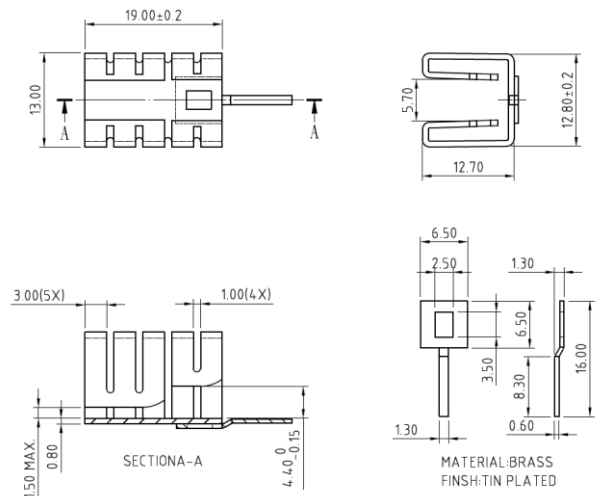
**Thermal Resistance** 27.3  
**Package Cooled** TO-220  
 TO-262



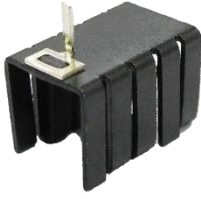
## PAT-001A-0501-S (AL5052 T=0.8 mm Black Anodized)



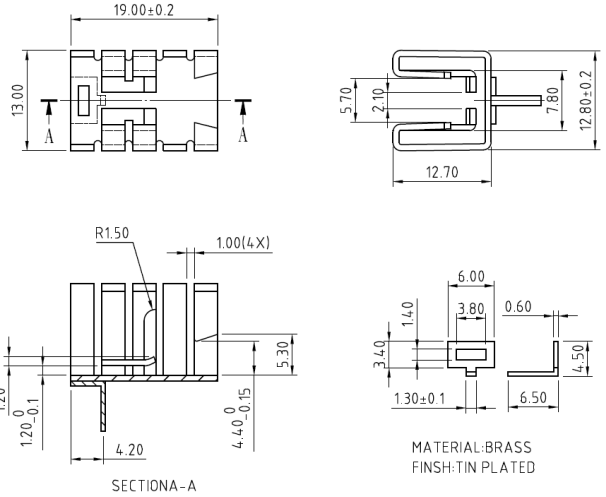
**Thermal Resistance** 27.3  
**Package Cooled** TO-220  
 TO-262



## PAT-001A-0502 (AL5052 T=0.8 mm Black Anodized)



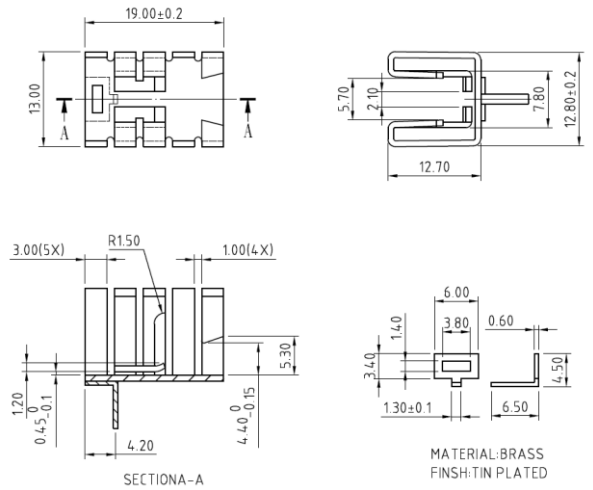
**Thermal Resistance** 27.3  
**Package Cooled** TO-220  
 TO-262



## PAT-001A-0502-1 (AL5052 T=0.8 mm Black Anodized)



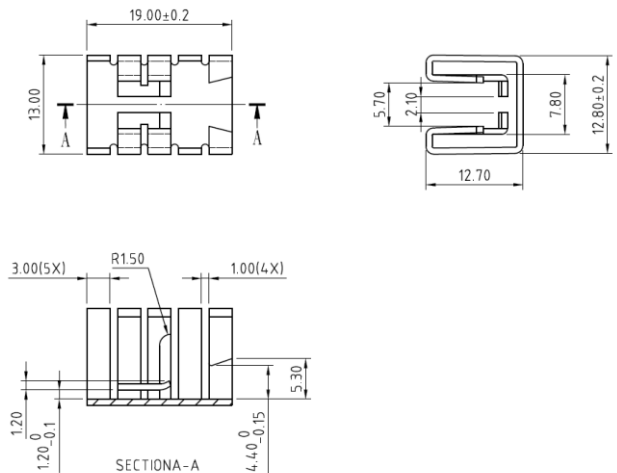
**Thermal Resistance** 27.3  
**Package Cooled** TO-220  
 TO-262



## PAT-001A-0503 (AL5052 T=0.8 mm Black Anodized)



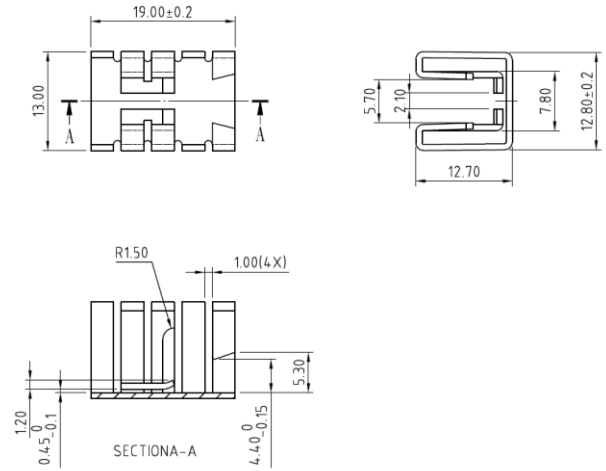
**Thermal Resistance** 27.3  
**Package Cooled** TO-220  
 TO-262



### PAT-001A-0503-1 (AL5052 T=0.8 mm Black Anodized)



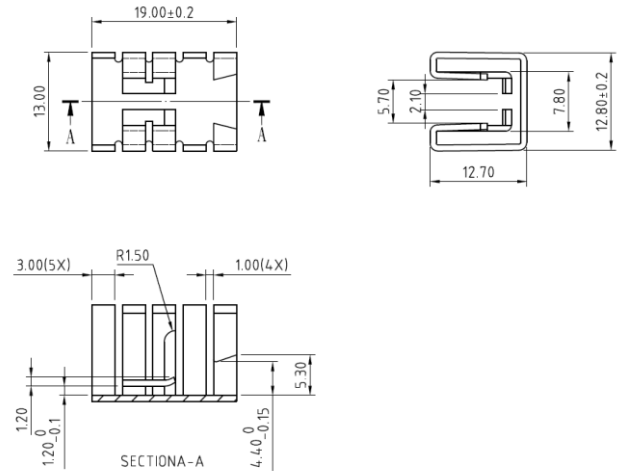
**Thermal Resistance** 27.3  
**Package Cooled** TO-220  
 TO-262



### PAT-001A-0503-C (AL5052 T=0.8 mm Clean Only)



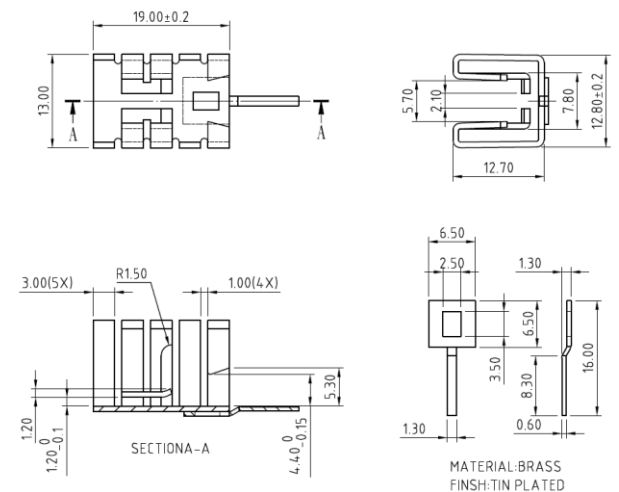
**Thermal Resistance** 27.3  
**Package Cooled** TO-220  
 TO-262



### PAT-001A-0504 (AL5052 T=0.8 mm Black Anodized)

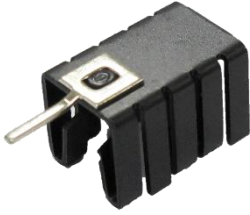


**Thermal Resistance** 27.3  
**Package Cooled** TO-220  
 TO-262

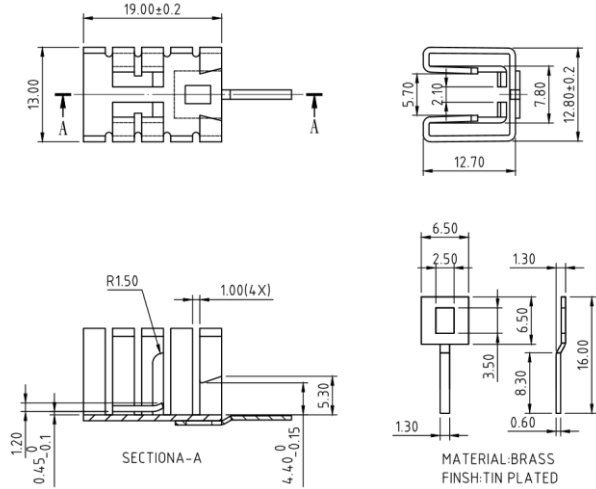


MATERIAL:BRASS  
 FINISH:TIN PLATED

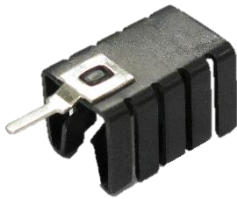
## PAT-001A-0504-1 (AL5052 T=0.8 mm Black Anodized)



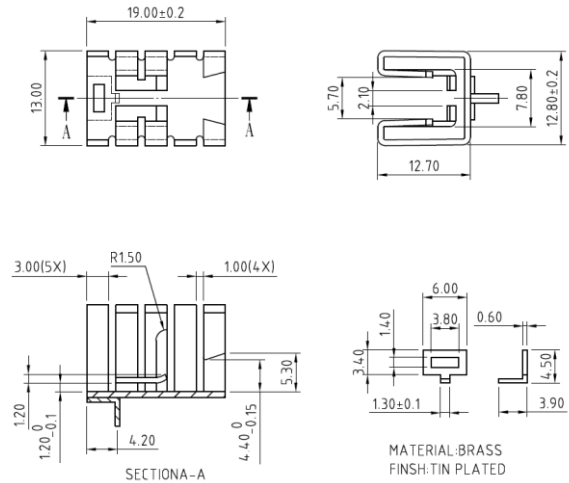
**Thermal Resistance** 27.3  
**Package Cooled** TO-220  
 TO-262



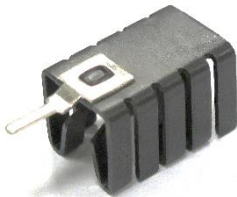
## PAT-001A-0505 (AL5052 T=0.8 mm Black Anodized)



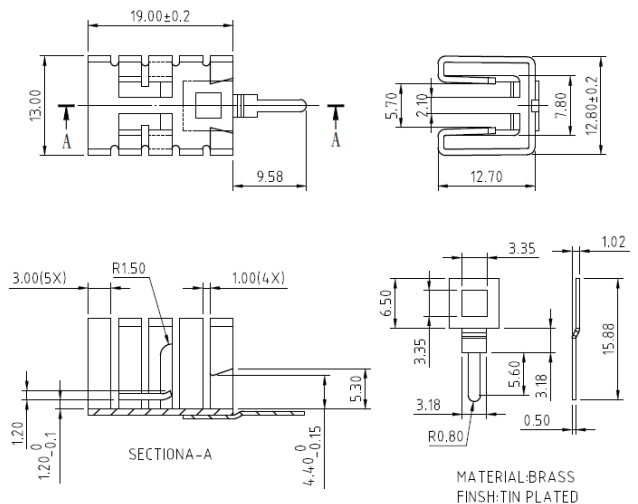
**Thermal Resistance** 27.3  
**Package Cooled** TO-220  
 TO-262



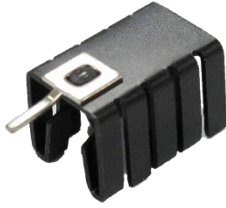
## PAT-001A-0506 (AL5052 T=0.8 mm Black Anodized)



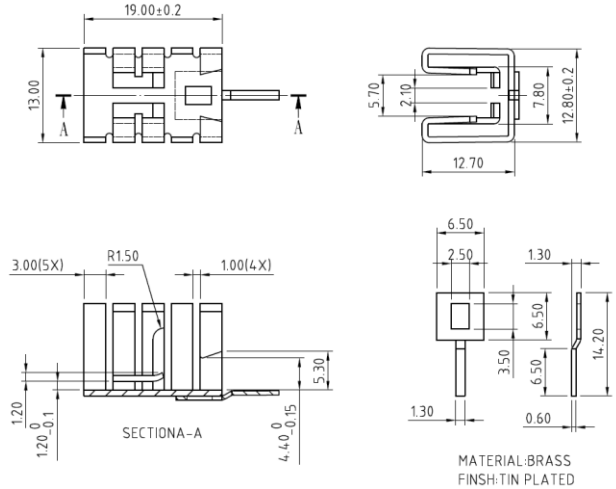
**Thermal Resistance** 27.3  
**Package Cooled** TO-220  
 TO-262



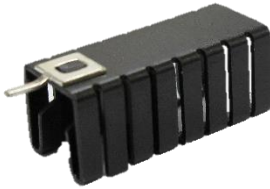
## PAT-001A-0508 (AL5052 T=0.8 mm Black Anodized)



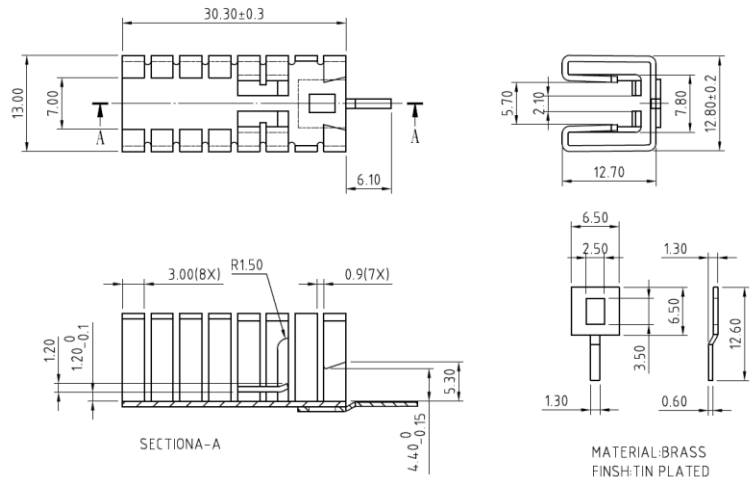
**Thermal Resistance** 27.3  
**Package Cooled** TO-220  
 TO-262



## PAT-001A-0801 (AL5052 T=0.8 mm Black Anodized)



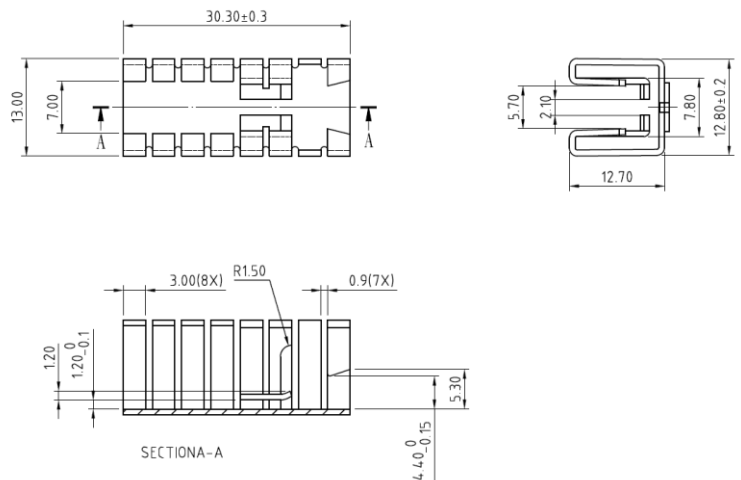
**Thermal Resistance** 19  
**Package Cooled** TO-220  
 TO-262



## PAT-001A-0803-C (AL5052 T=0.8 mm Clean Only)



**Thermal Resistance** 19  
**Package Cooled** TO-220  
 TO-262

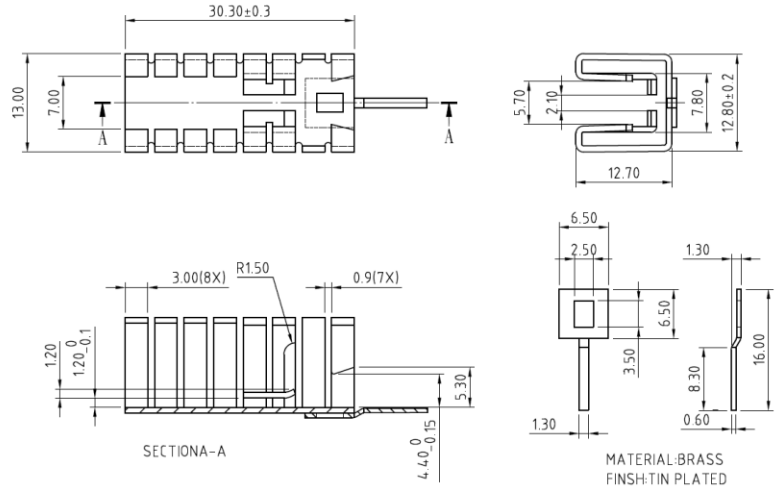




### PAT-001A-0804 (AL5052 T=0.8 mm Black Anodized)



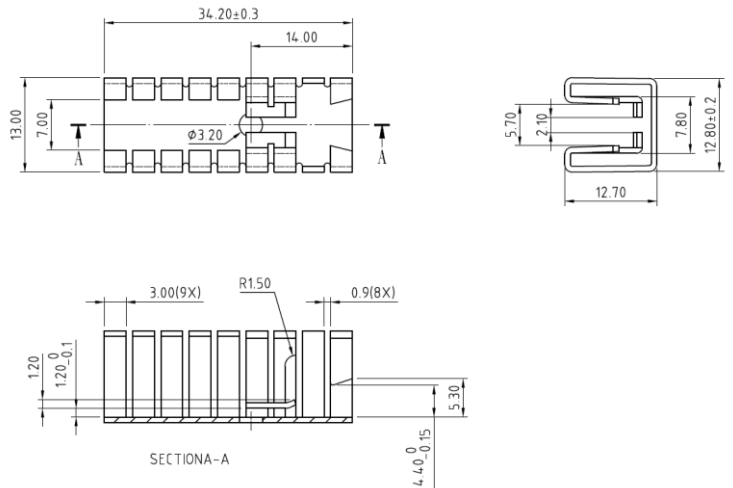
**Thermal Resistance** 19  
**Package Cooled** TO-220  
 TO-262



### PAT-001A-0903-A (AL5052 T=0.8 mm Black Anodized)



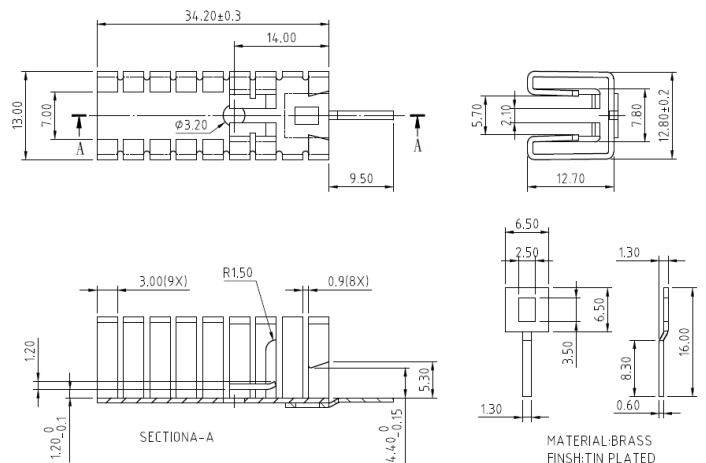
**Thermal Resistance** 20  
**Package Cooled** TO-220  
 TO-262



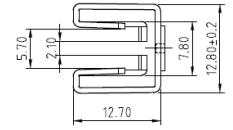
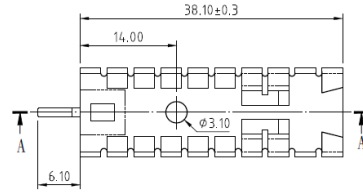
### PAT-001A-0904-A (AL5052 T=0.8 mm Black Anodized)



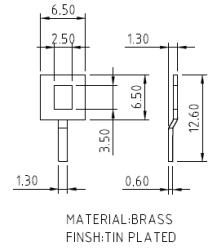
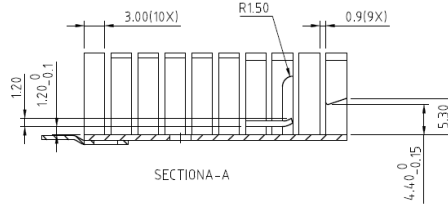
**Thermal Resistance** 20  
**Package Cooled** TO-220  
 TO-262



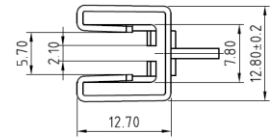
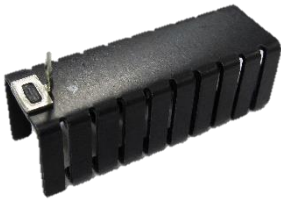
## PAT-001A-1001-A (AL5052 T=0.8 mm Black Anodized)



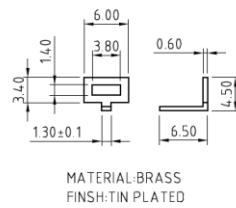
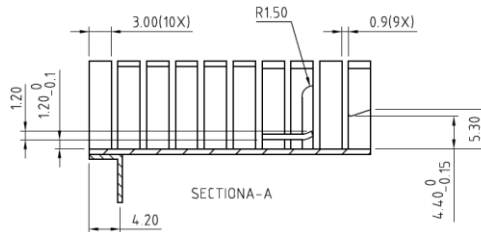
**Thermal Resistance** 19  
**Package Cooled** TO-220  
 TO-262



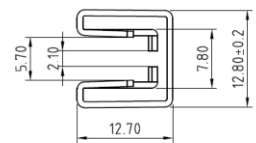
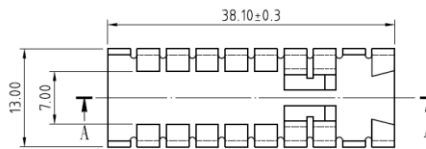
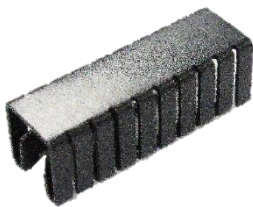
## PAT-001A-1002 (AL5052 T=0.8 mm Black Anodized)



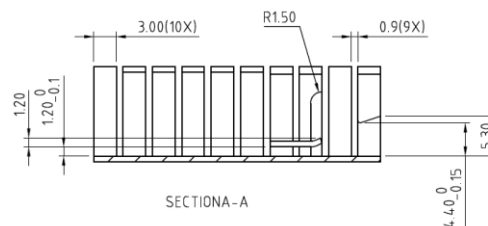
**Thermal Resistance** 19  
**Package Cooled** TO-220  
 TO-262



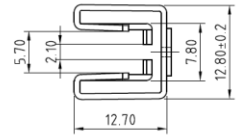
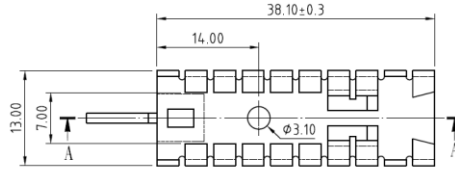
## PAT-001A-1003 (AL5052 T=0.8 mm Black Anodized)



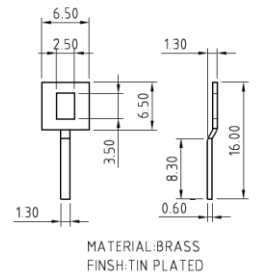
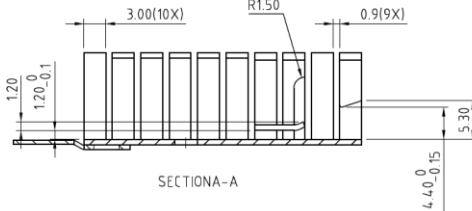
**Thermal Resistance** 19  
**Package Cooled** TO-220  
 TO-262



## PAT-001A-1004 (AL5052 T=0.8 mm Black Anodized)

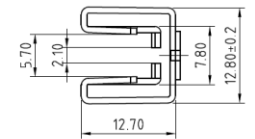


**Thermal Resistance** 19  
**Package Cooled** TO-220  
 TO-262

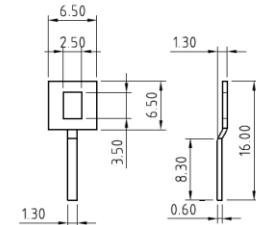
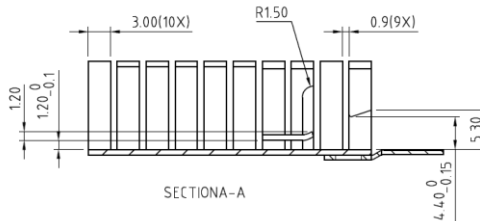


MATERIAL: BRASS  
 FINISH: TIN PLATED

## PAT-001A-1005 (AL5052 T=0.8 mm Black Anodized)

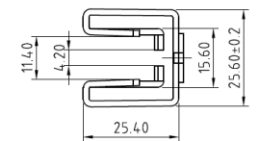


**Thermal Resistance** 19  
**Package Cooled** TO-220  
 TO-262

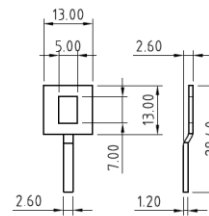
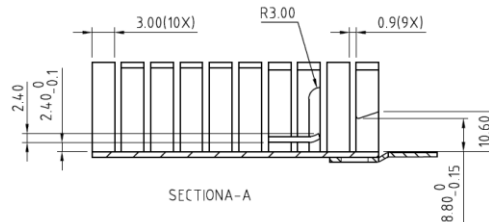


MATERIAL: BRASS  
 FINISH: TIN PLATED

## PAT-001A-1006 (AL5052 T=0.8 mm Black Anodized)

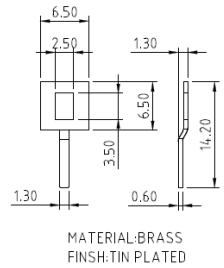
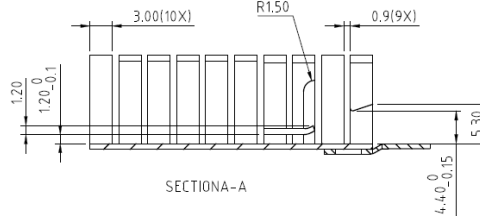
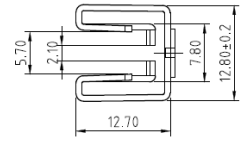
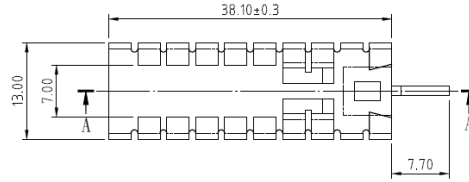


**Thermal Resistance** 19  
**Package Cooled** TO-220  
 TO-262



MATERIAL: BRASS  
 FINISH: TIN PLATED

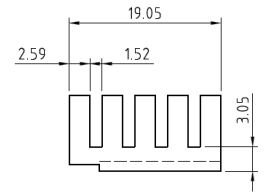
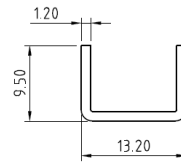
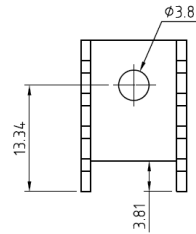
## PAT-001A-1008 (AL5052 T=0.8 mm Black Anodized)



MATERIAL: BRASS  
FINISH: TIN PLATED

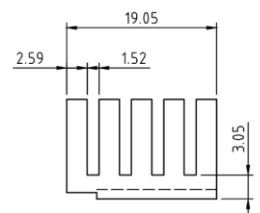
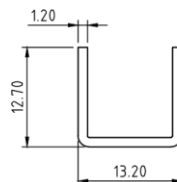
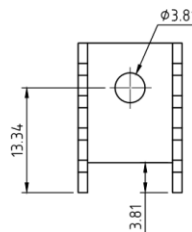
**Thermal Resistance** 19  
**Package Cooled** TO-220  
TO-262

## PAT-001A-2811-A (AL5052 T=1.2 mm Black Anodized)



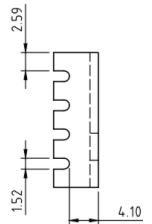
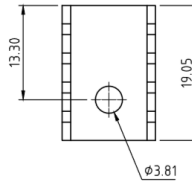
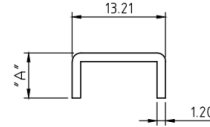
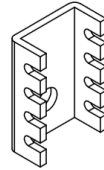
**Thermal Resistance** 24.7  
**Package Cooled** TO-220

## PAT-001A-7236 (AL1050 T=1.2 mm Black Anodized)



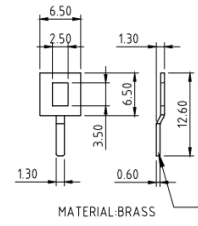
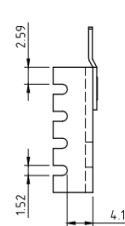
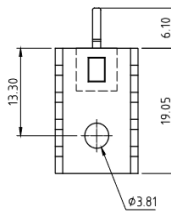
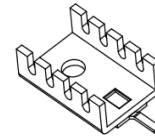
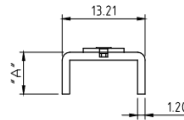
**Thermal Resistance** 24.7  
**Package Cooled** TO-220

## PAT-0013A-3771A (AL1050 T=1.2 mm Black Anodized)



**Thermal Resistance** 24.7  
**Package Cooled** TO-220  
**A** 1PP 6.35  
 2PP 9.52  
 3PP 12.7

## PAT-0013A-3771AP (AL1050 T=1.2 mm Black Anodized)

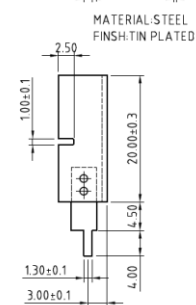
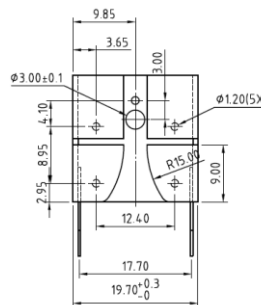
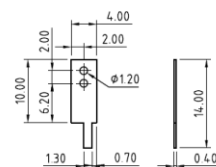
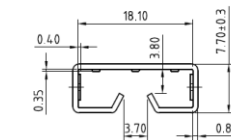


HEAT DISSIPATOR	
	"A"
1PP	6.35
2PP	9.52
3PP	12.7

**Thermal Resistance** 24.7  
**Package Cooled** TO-220  
**A** 1PP 6.35  
 2PP 9.52  
 3PP 12.7

MATERIAL: BRASS  
 PIN: Tin plated With ROHS Compliance

## PAT-002A-0017 (AL5052 T=0.8 mm Black Anodized)



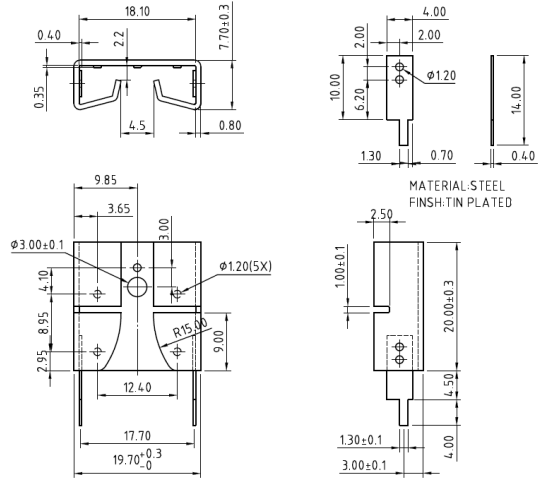
MATERIAL: STEEL  
 FINISH: TIN PLATED

**Thermal Resistance** 29  
**Package Cooled** TO-220

## PAT-002A-0017-1 (AL5052 T=0.8 mm Black Anodized)



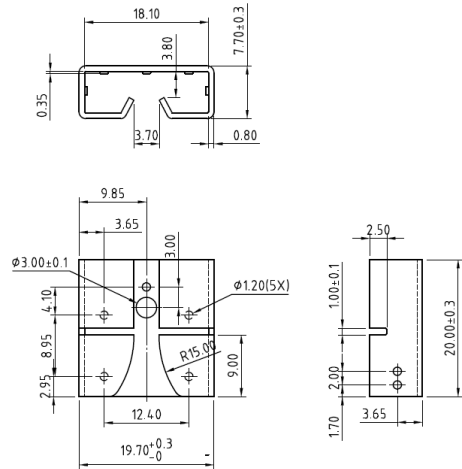
**Thermal Resistance** 29  
**Package Cooled** TO-220



## PAT-002A-0018 (AL5052 T=0.8 mm Black Anodized)



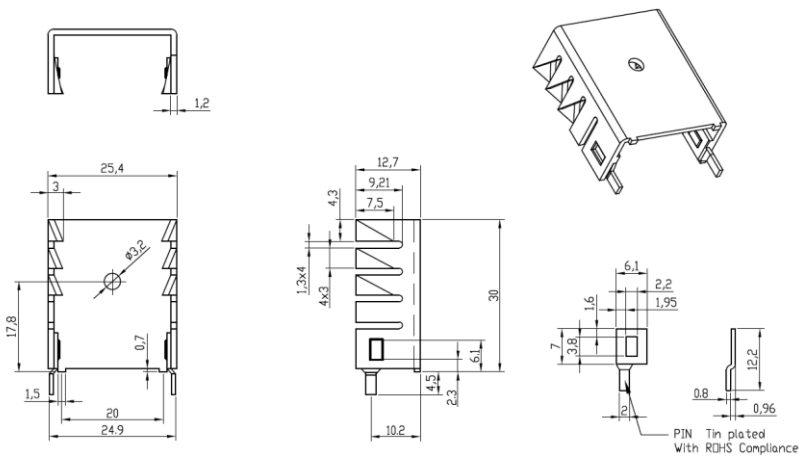
**Thermal Resistance** 29  
**Package Cooled** TO-220



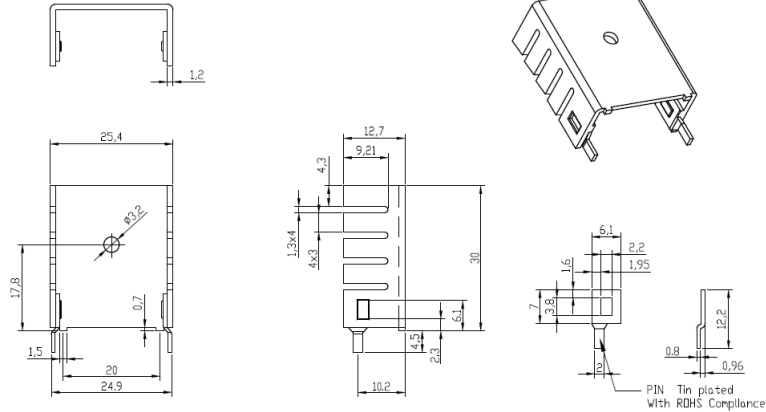
## PAT-003A-0030-Z (AL1050 T=1.2 mm Black Anodized)



**Thermal Resistance** 13.4  
**Package Cooled** TO-220

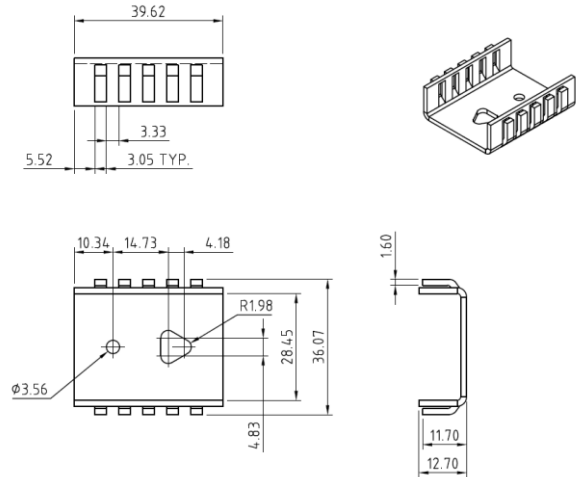


## PAT-003A-0042 (AL1050 T=1.2 mm Black Anodized)



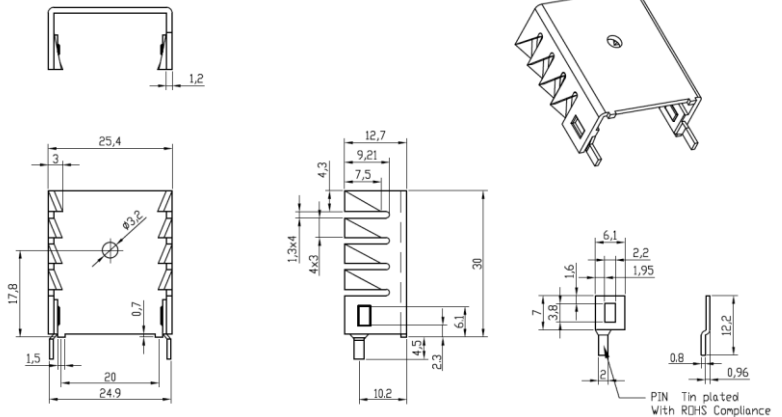
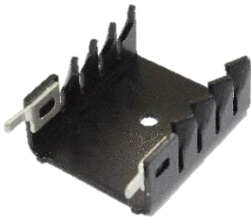
**Thermal Resistance** 13.4  
**Package Cooled** TO-220

## PAT-003A-0606 (AL1050 T=1.6 mm Black Anodized)



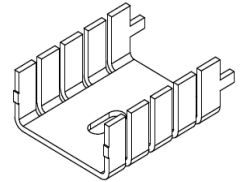
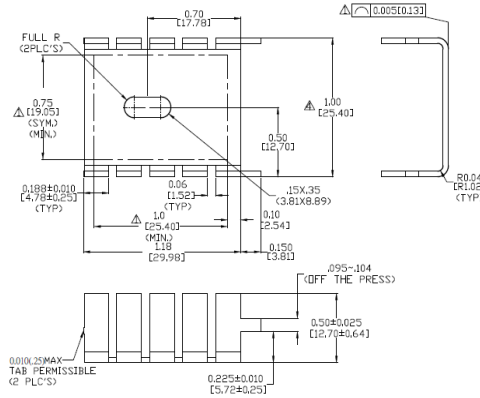
**Thermal Resistance** 10  
**Package Cooled** TO-220

## PAT-003A-1822 (AL1050 T=1.2 mm Black Anodized)



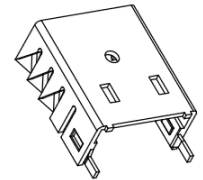
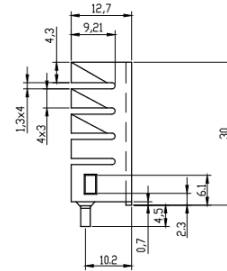
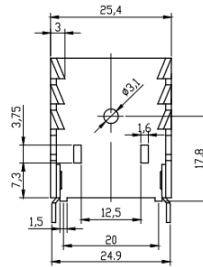
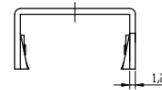
**Thermal Resistance** 13.4  
**Package Cooled** TO-220

## PAT-003A-24018 (AL5052 T=1.0 mm Black Anodized)



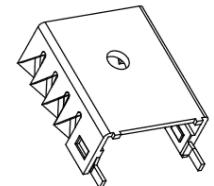
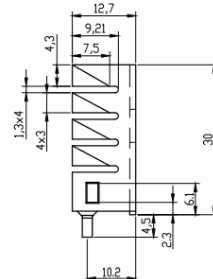
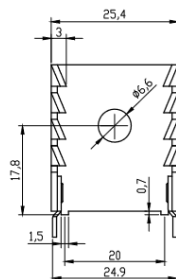
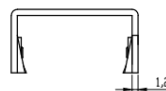
**Thermal Resistance** 13  
**Package Cooled** TO-220

## PAT-003A-0030-CTS (AL1050 T=1.2 mm Black Anodized)

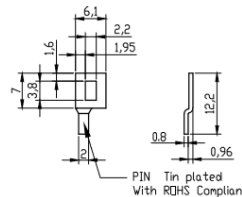


**Thermal Resistance** 13.4  
**Package Cooled** TO-220

## PAT-003A-003A-1823 (AL1050 T=1.2 mm Black Anodized)

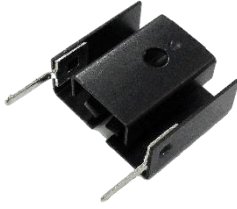


**Thermal Resistance** 13.4  
**Package Cooled** TO-220

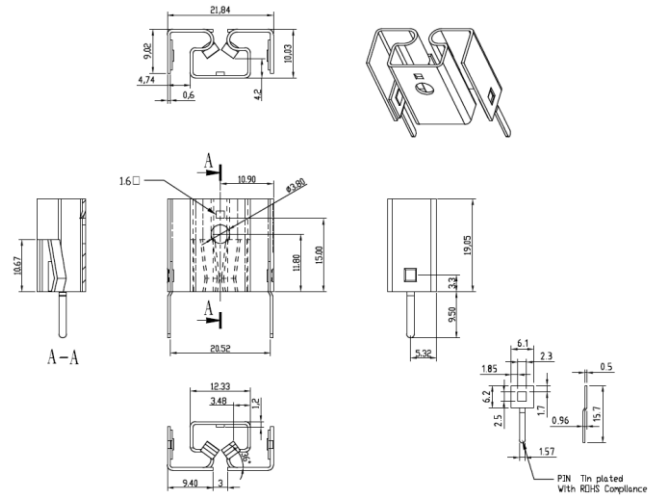




## PAT-004A-0003 (AL5052 T=0.6 mm Black Anodized)



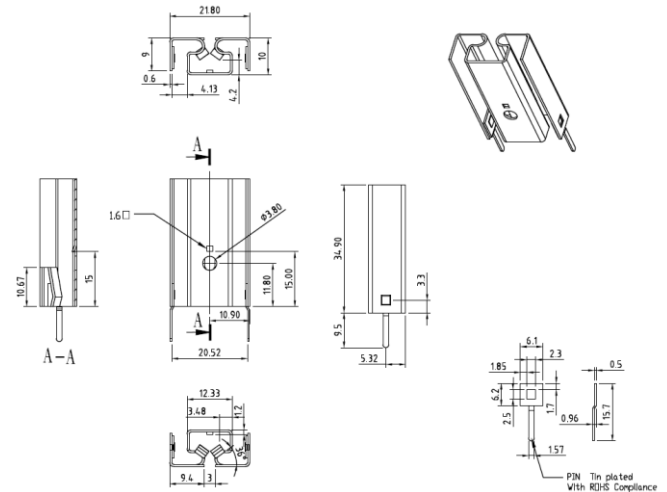
**Thermal Resistance** 23  
**Package Cooled** TO-220



## PAT-004A-0004-Z (AL5052 T=0.6 mm Black Anodized)



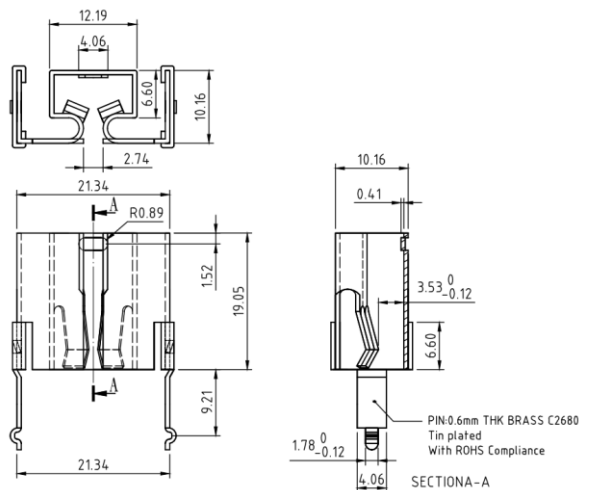
**Thermal Resistance** 16  
**Package Cooled** TO-220



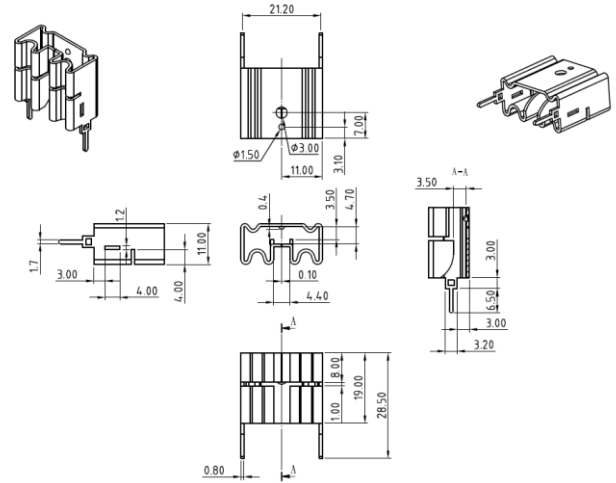
## PAT-004A-0019-Z (AL5052 T=0.8 mm Black Anodized)



**Thermal Resistance** 23.2  
**Package Cooled** TO-220

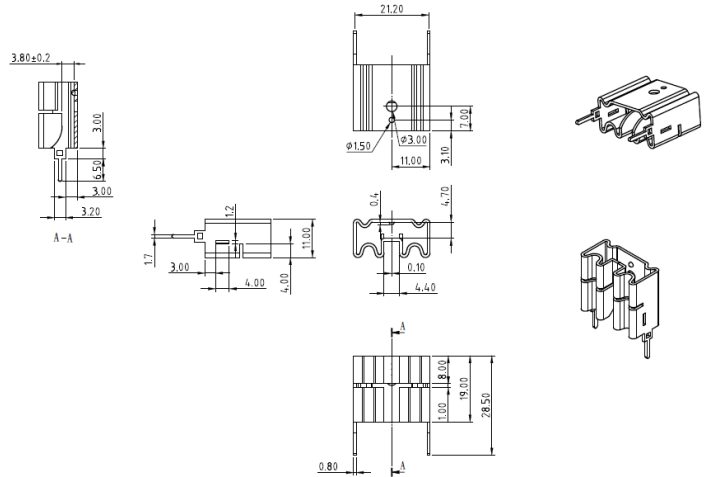


### PAT-005A-2801-A (AL5052 T=0.8 mm Black Anodized)



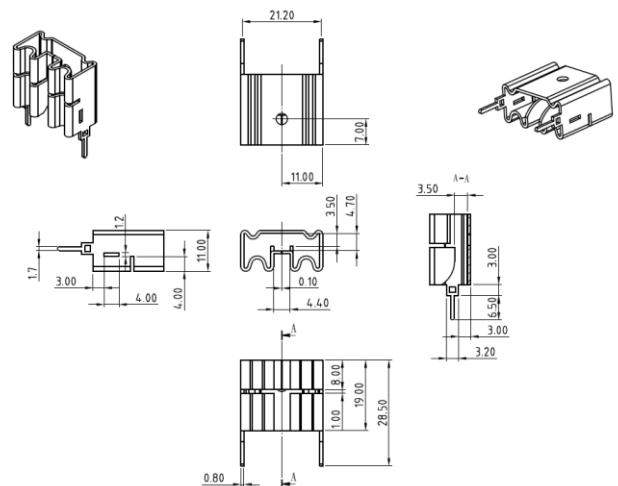
**Thermal Resistance** 21  
**Package Cooled** TO-220  
 TO-216

### PAT-005A-2801-AB (AL5052 T=0.8 mm Black Anodized)



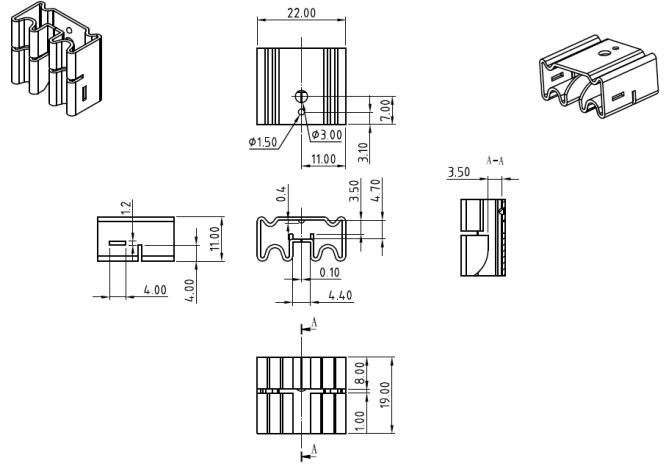
**Thermal Resistance** 21  
**Package Cooled** TO-220  
 TO-216

### PAT-005A-2801-M (AL5052 T=0.8 mm Matte Tin Plated)



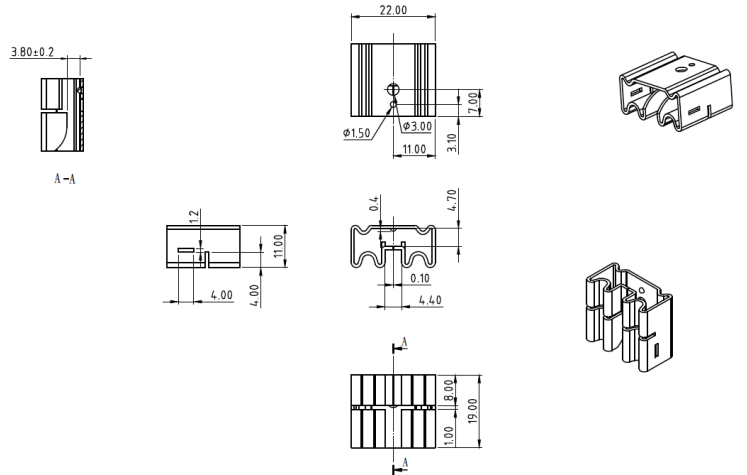
**Thermal Resistance** 20.3  
**Package Cooled** TO-220  
 TO-216

## PAT-005A-2901-A (AL5052 T=0.8 mm Black Anodized)



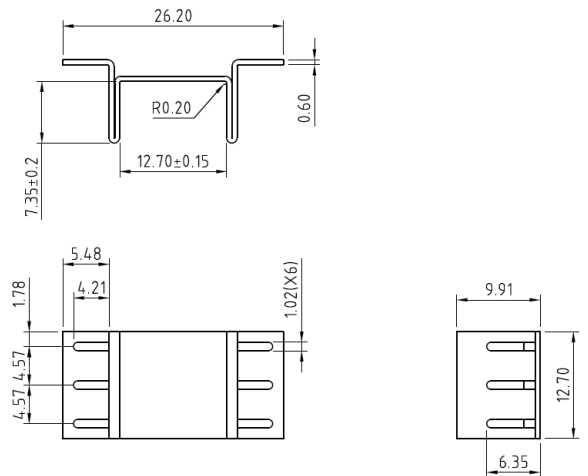
**Thermal Resistance** 21  
**Package Cooled** TO-220

## PAT-005A-2901-AB (AL5052 T=0.8 mm Black Anodized)



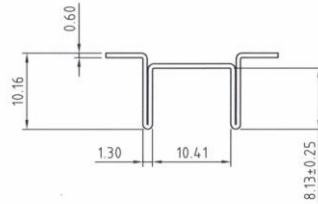
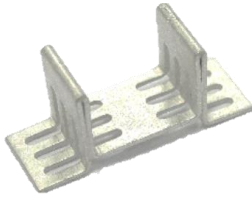
**Thermal Resistance** 21  
**Package Cooled** TO-220

## PAT-006C-0013-T (C1100 T=0.6 mm Tin Plated)

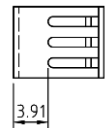
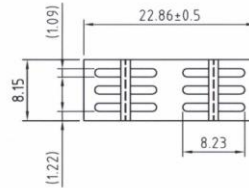


**Thermal Resistance** 18  
**Package Cooled** D<sup>3</sup>PAK (TO-268)

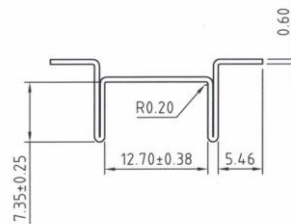
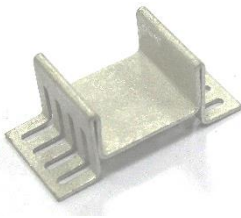
## PAT-006C-CTE3-M (C1100 T=0.6 mm Matte Tin)



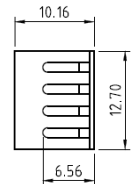
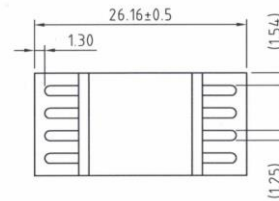
**Thermal Resistance** 31  
**Package Cooled** D PAK  
 (TO-252)



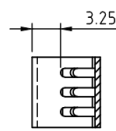
## PAT-006C-CTE5-M (C1100 T=0.6 mm Matte Tin)



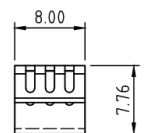
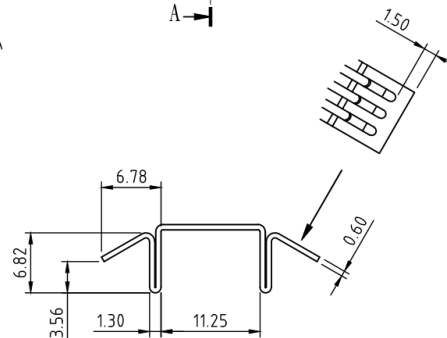
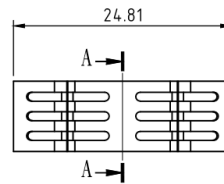
**Thermal Resistance** 31  
**Package Cooled** D<sup>3</sup>PAK  
 (TO-268)



## PAT-006C-1524 (C1100 T=0.6 mm Matte Tin Plated)



SECTION A-A

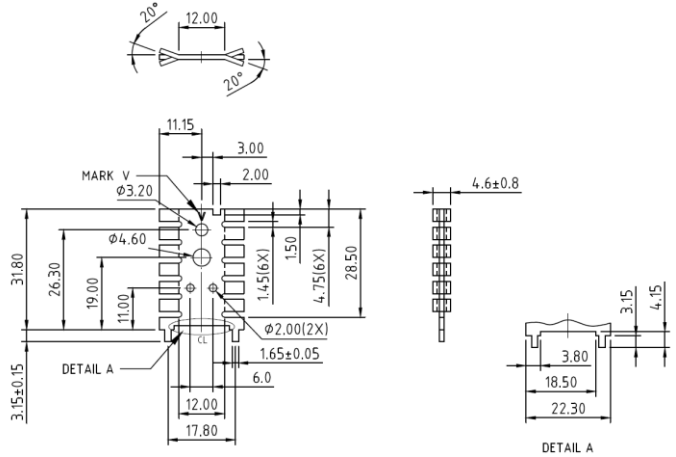


**Thermal Resistance** 28  
**Package Cooled** TO-252

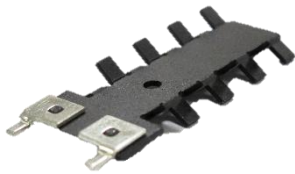
## PAT-007C-0008 (C1100 T=1.2 mm Matte Tin)



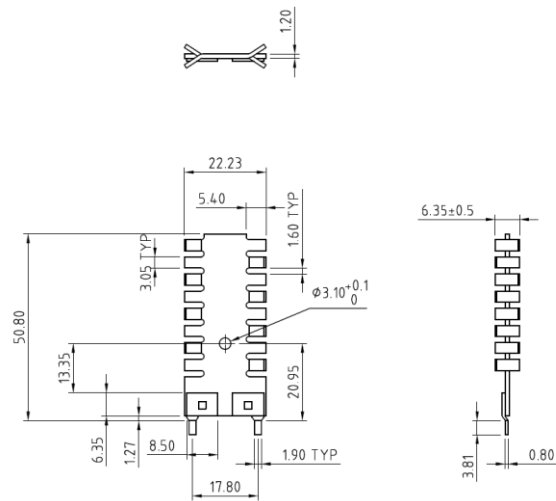
**Thermal Resistance** 24  
**Package Cooled** TO-220



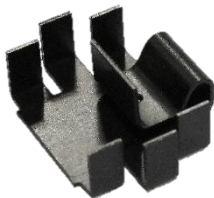
## PAT-007A-0404-A (AL1050 T=1.2 mm Black Anodized)



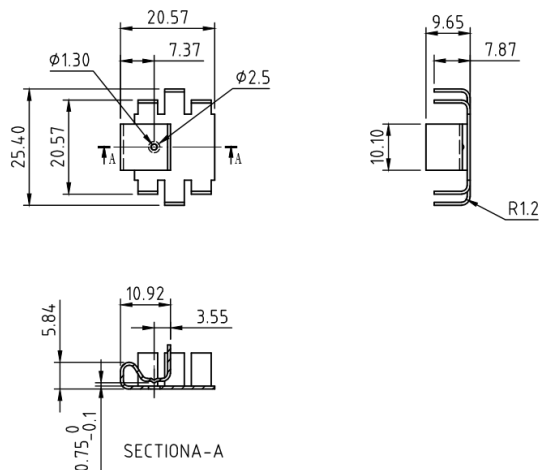
**Thermal Resistance** 20  
**Package Cooled** TO-220  
 TO-202



## PAT-008A-0641 (AL5052 T=0.6 mm Black Anodized)



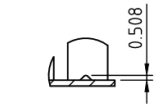
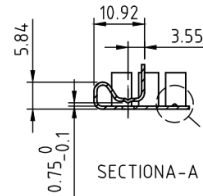
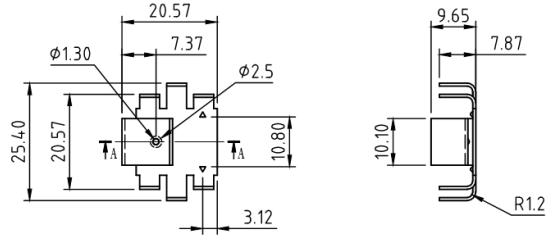
**Thermal Resistance** 41.7  
**Package Cooled** TO-220



## PAT-008A-0657 (AL5052 T=0.6 mm Black Anodized)



**Thermal Resistance** 41.7  
**Package Cooled** TO-220

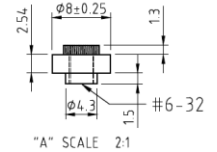
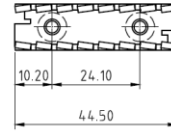


DETAIL B  
SCALE 4:1

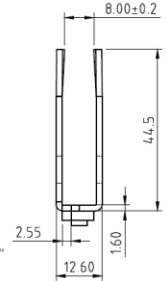
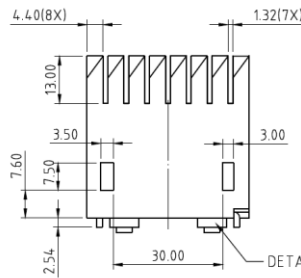
## PAT-009A-2187-1 (AL1050 T=1.6 mm Black Anodized)



**Thermal Resistance** 4.4  
**Package Cooled** TO-220  
 TO-218  
 TO-247



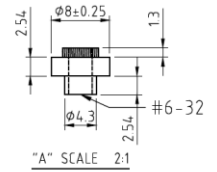
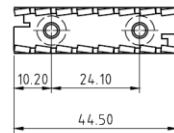
"A" SCALE 2:1



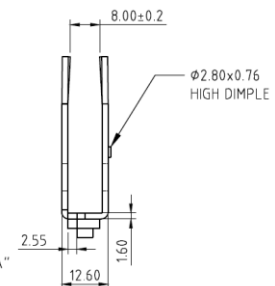
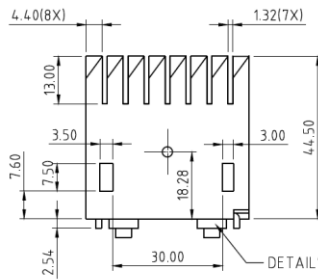
## PAT-009A-2187-2 (AL1050 T=1.6 mm Black Anodized)



**Thermal Resistance** 4.4  
**Package Cooled** TO-220  
 TO-218  
 TO-247



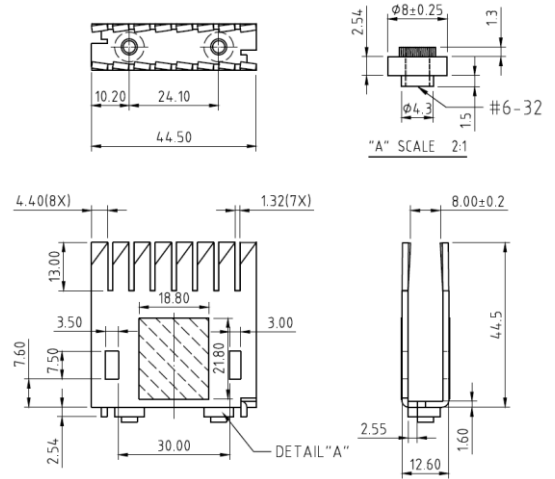
"A" SCALE 2:1



## PAT-009A-2187G1-1 (AL1050 T=1.6 mm Black Anodized)



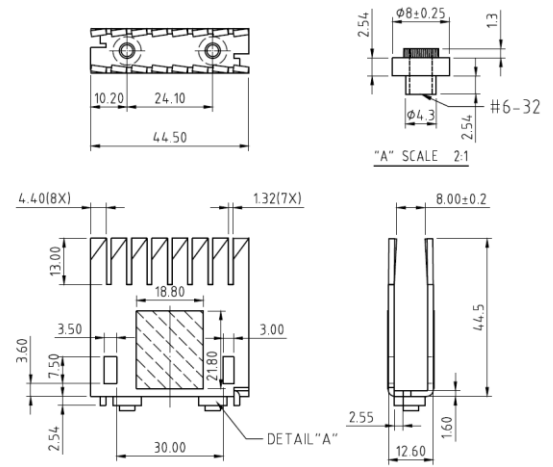
**Thermal Resistance** 4.4  
**Package Cooled** TO-220  
 TO-218  
 TO-247



## PAT-009A-2187G1-2A (AL1050 T=1.6 mm Black Anodized)



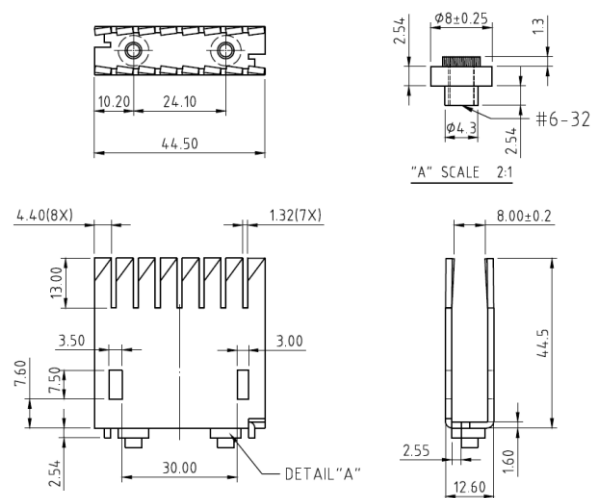
**Thermal Resistance** 4.4  
**Package Cooled** TO-220  
 TO-218  
 TO-247



## PAT-009A-2187G2 (AL1050 T=1.6 mm Gold Anodized)



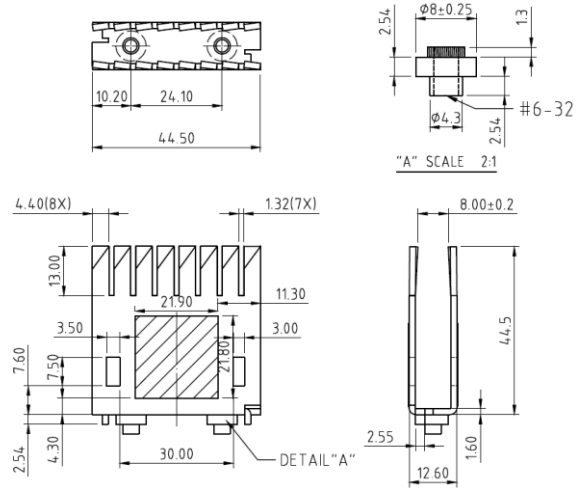
**Thermal Resistance** 4.4  
**Package Cooled** TO-220  
 TO-218  
 TO-247



## PAT-009A-2187G2-2 (AL1050 T=1.6 mm Black Anodized)



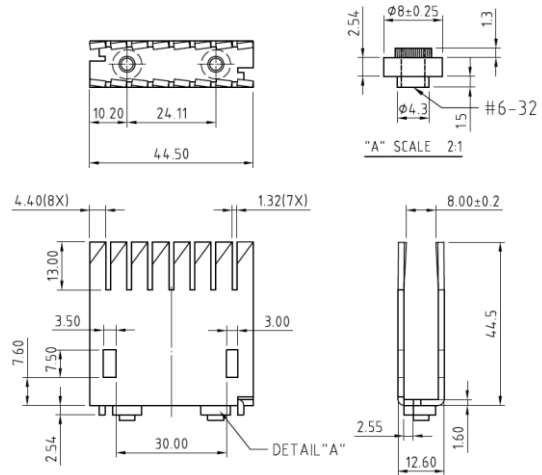
**Thermal Resistance** 4.4  
**Package Cooled** TO-220  
 TO-218  
 TO-247



## PAT-009A-2187-05 (AL1050 T=1.6 mm Gold Anodized)



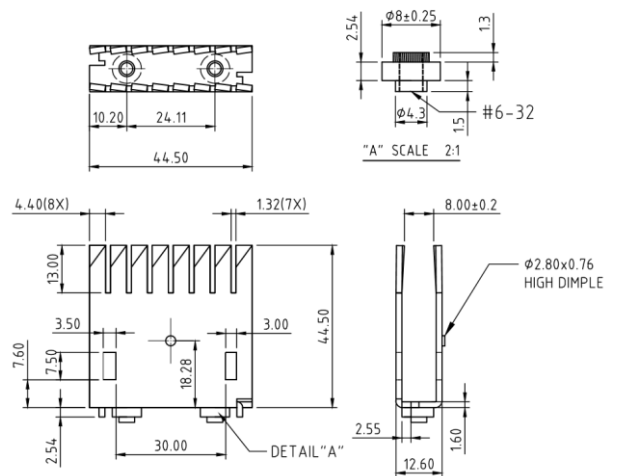
**Thermal Resistance** 4.4  
**Package Cooled** TO-220  
 TO-218  
 TO-247



## PAT-009A-2187-5 (AL1050 T=1.6 mm Black Anodized)



**Thermal Resistance** 4.4  
**Package Cooled** TO-220  
 TO-218  
 TO-247

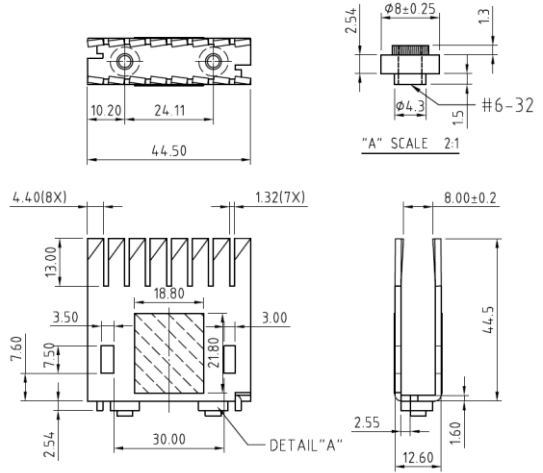




## PAT-009A-2187-M (AL1050 T=1.6 mm Black Anodized)



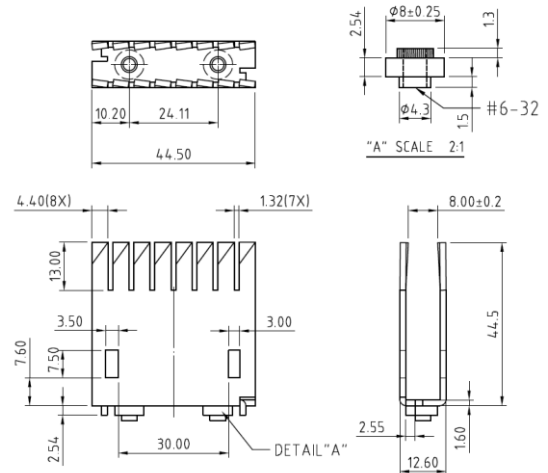
**Thermal Resistance** 4.4  
**Package Cooled** TO-220  
 TO-218  
 TO-247



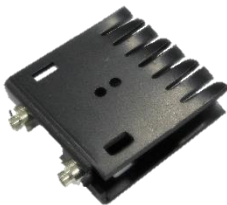
## PAT-009A-2187-M2 (AL1050 T=1.6 mm Black Anodized)



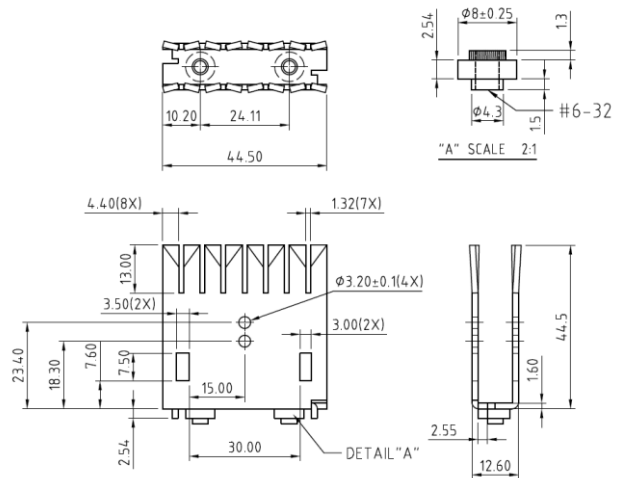
**Thermal Resistance** 4.4  
**Package Cooled** TO-220  
 TO-218  
 TO-247



## PAT-009A-2189 (AL1050 T=1.6 mm Black Anodized)



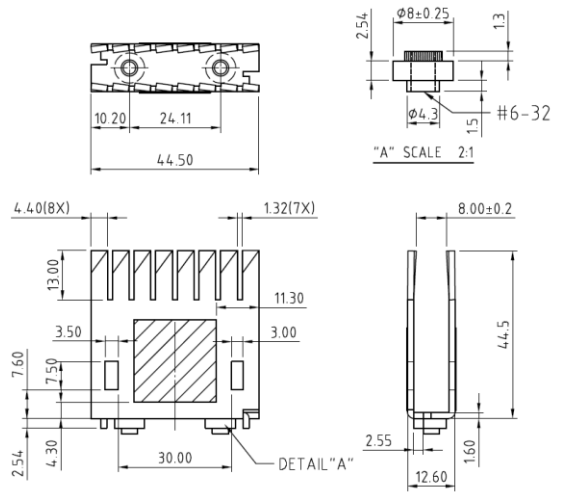
**Thermal Resistance** 4.4  
**Package Cooled** TO-220  
 TO-218  
 TO-247



## PAT-009A-2189-T (AL1050 T=1.6 mm Black Anodized)



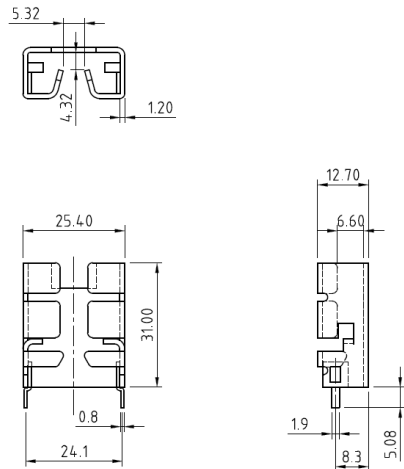
**Thermal Resistance** 4.4  
**Package Cooled** TO-220  
 TO-218  
 TO-247



## PAT-010A-2209 (AL5052 T=1.2 mm Black Anodized)



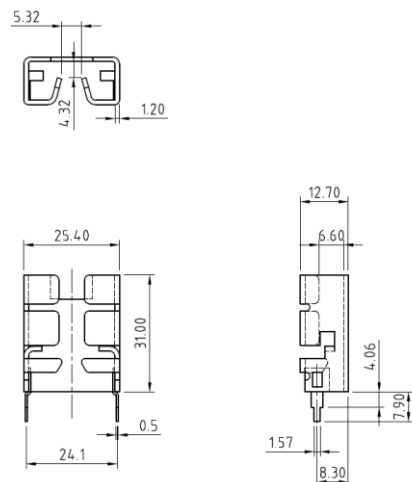
**Thermal Resistance** 12.5  
**Package Cooled** Multiwatt



## PAT-010A-2225 (AL5052 T=1.2 mm Black Anodized)



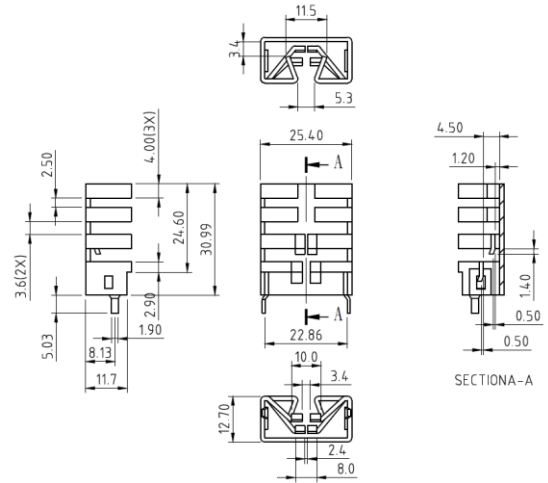
**Thermal Resistance** 12.5  
**Package Cooled** Multiwatt



## PAT-010A-2531 (AL5052 T=1.2 mm Black Anodized)



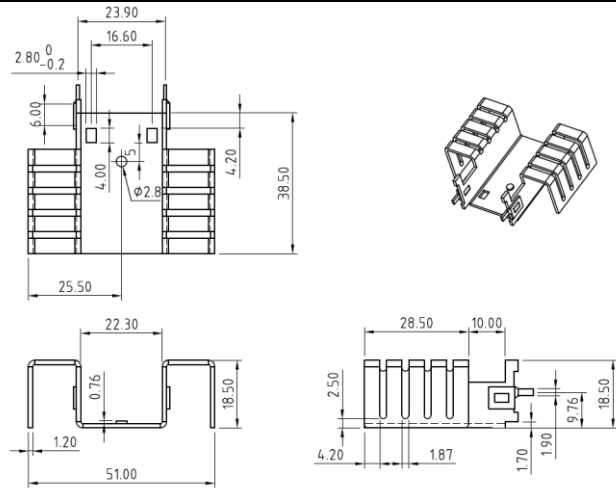
**Thermal Resistance** 11.5  
**Package Cooled** SIPS  
 (Plug in style heatsink)



## PAT-011A-0052 (AL1050 T=1.2 mm Black Anodized)



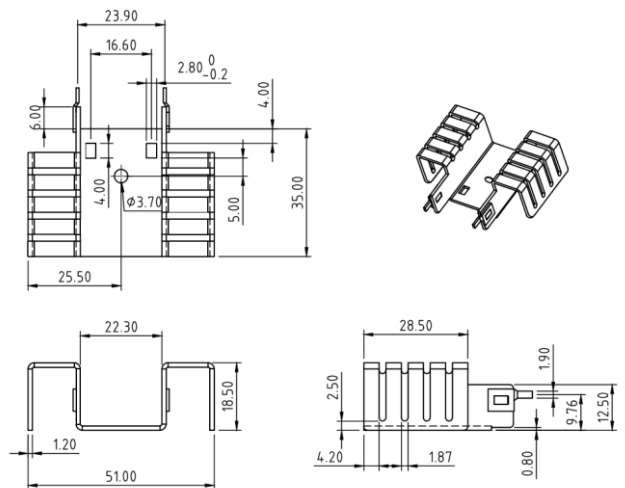
**Thermal Resistance** 7  
**Package Cooled** TO-220



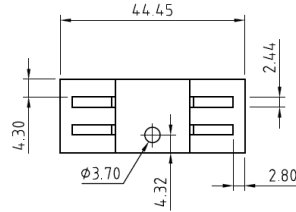
## PAT-011A-0052-2 (AL1050 T=1.2 mm Black Anodized)



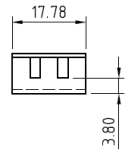
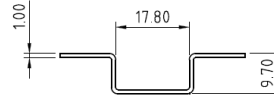
**Thermal Resistance** 7  
**Package Cooled** TO-220



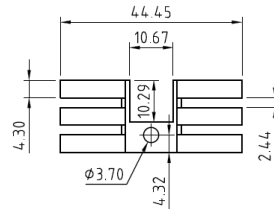
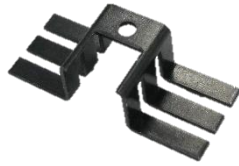
## PAT-012A-0082 (AL1050 T=1.0 mm Black Anodized)



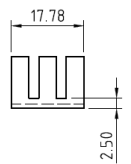
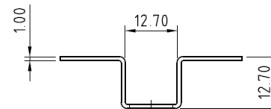
**Thermal Resistance** 15.6  
**Package Cooled** TO-202  
 TO-220  
 TO-218  
 TO-247



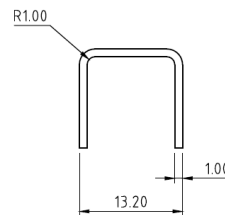
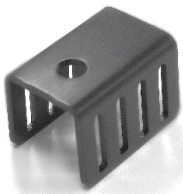
## PAT-012A-0082-G (AL1050 T=1.0 mm Black Anodized)



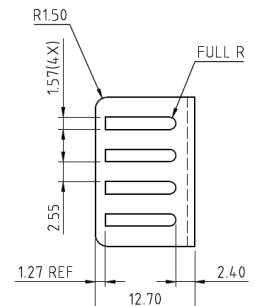
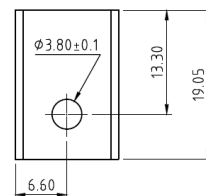
**Thermal Resistance** 15.6  
**Package Cooled** TO-220



## PAT-013A-8301 (AL5052 T=1.0 mm Black Anodized)



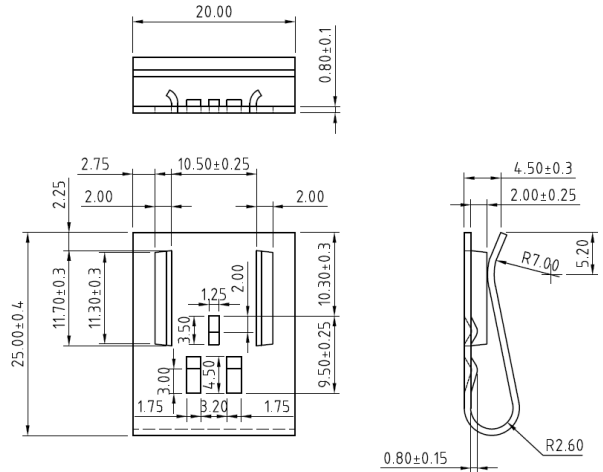
**Thermal Resistance** 25  
**Package Cooled** TO-220



## PAT-014A-0021 (AL5052 T=0.8 mm Black Anodized)



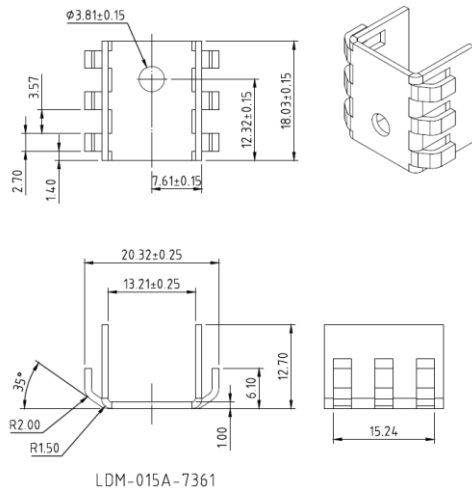
**Thermal Resistance** 23  
**Package Cooled** TO-220  
 TO-126



## PAT-015A-7361 (AL1050 T=1.0 mm Black Anodized)



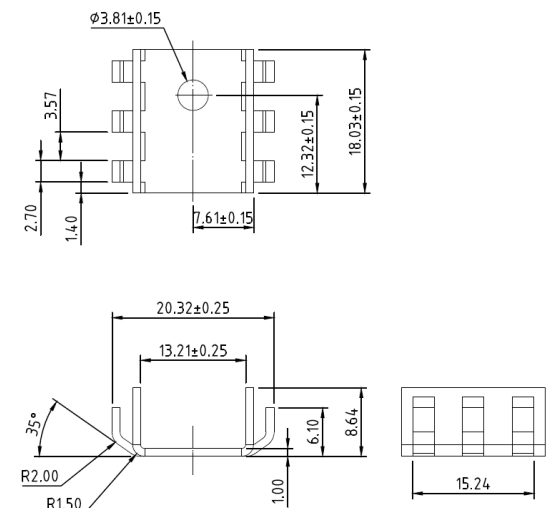
**Thermal Resistance** 30  
**Package Cooled** TO-220



## PAT-015A-7362 (AL1050 T=1.0 mm Black Anodized)



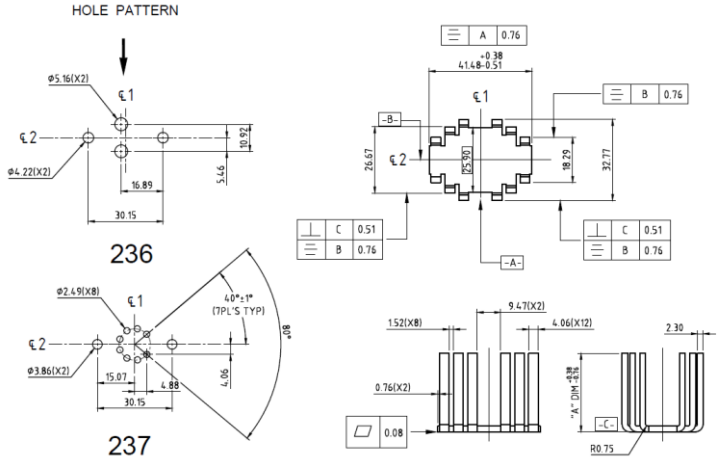
**Thermal Resistance** 30  
**Package Cooled** TO-220



## PAT-016A-LAIC (AL1050 T=2.3 mm Black Anodized)



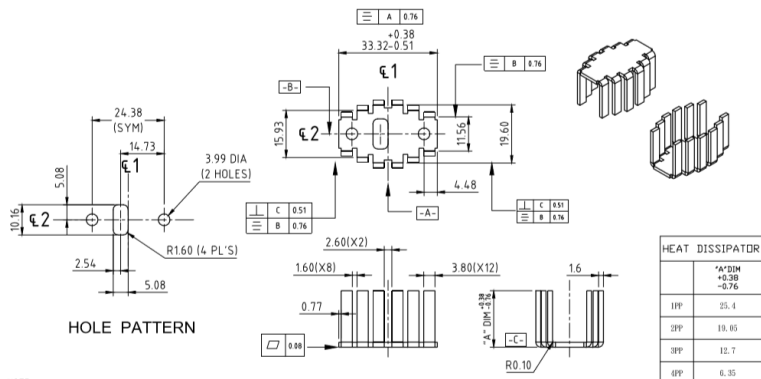
**Thermal Resistance** 12  
**Package Cooled** TO-3  
**A**  
 1PP - 31.75  
 2PP - 25.40  
 3PP - 19.05  
 4PP - 12.70



## PAT-016A-LAE66 (AL1050 T=1.6 mm Black Anodized)



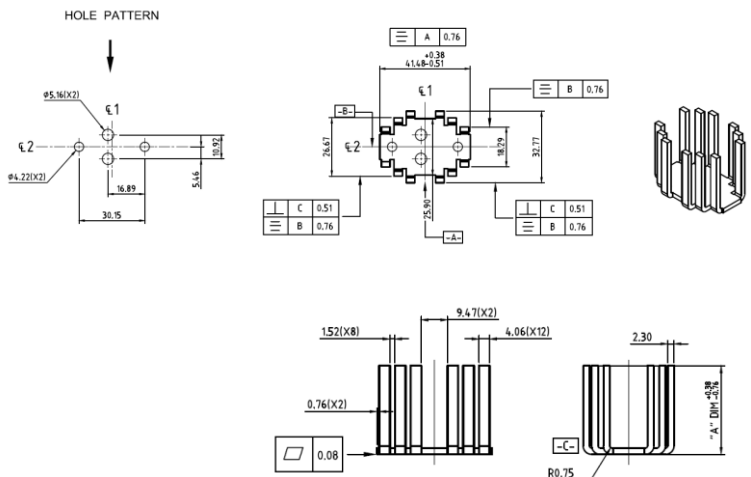
**Thermal Resistance** 20  
**Package Cooled** TO-126  
 TO-220  
**A**  
 1PP - 25.4  
 2PP - 19.05  
 3PP - 12.7  
 4PP - 6.35



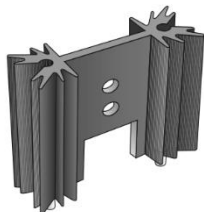
## PAT-016A-LATO (AL1050 T=2.3 mm Black Anodized)



**Thermal Resistance** 12  
**Package Cooled** TO-3  
**A**  
 1PP - 31.75  
 2PP - 25.40  
 3PP - 19.05  
 4PP - 12.70



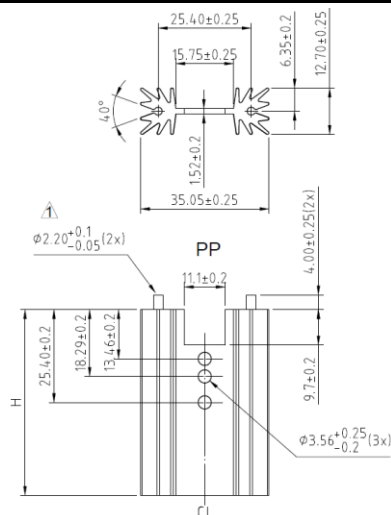
## PAT-EXT-7338-1PP (AL6063 Black Anodized)



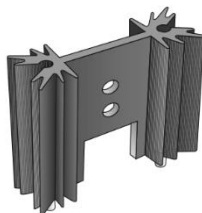
**Thermal Resistance** 11

**Package Cooled** TO-218  
TO-220  
TO-247

**H** 38.1



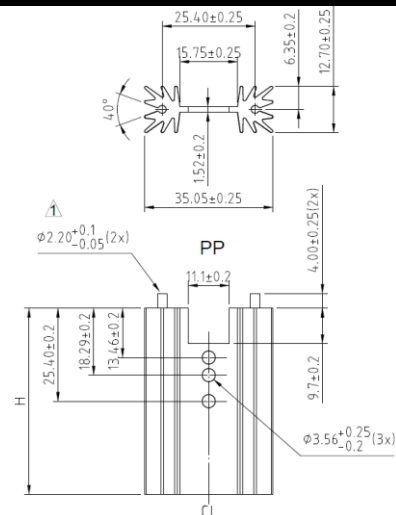
## PAT-EXT-7338-2PP (AL6063 Black Anodized)



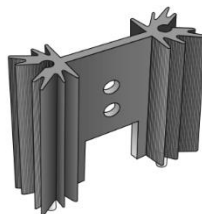
**Thermal Resistance** 10

**Package Cooled** TO-218  
TO-220  
TO-247

**H** 44.45



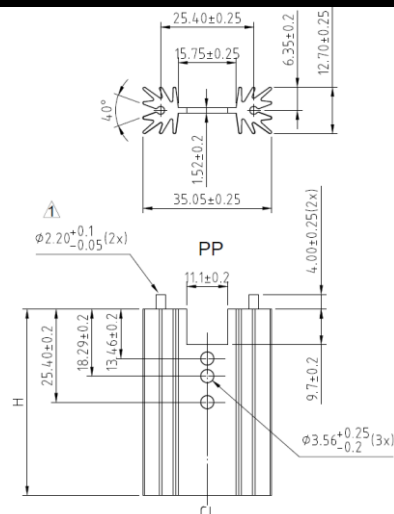
## PAT-EXT-7338-4PP (AL6063 Black Anodized)



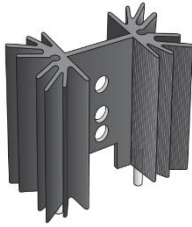
**Thermal Resistance** 8

**Package Cooled** TO-218  
TO-220  
TO-247

**H** 63.5



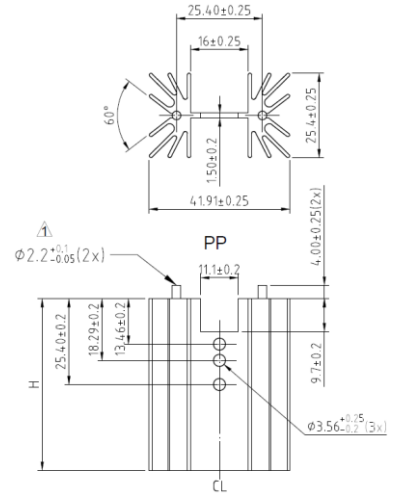
## PAT-EXT-7339-1PP (AL6063 Black Anodized)



**Thermal Resistance** 3.9

**Package Cooled** TO-218  
TO-220  
TO-247

**H** 38.1



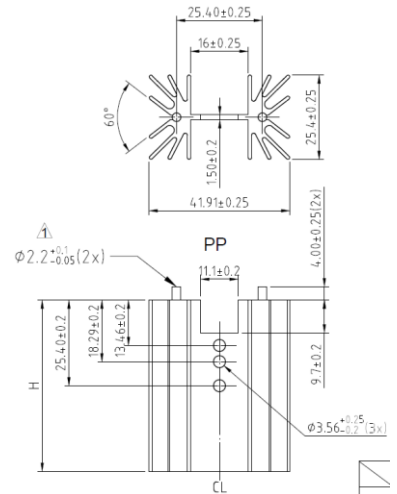
## PAT-EXT-7339-3PP (AL6063 Black Anodized)



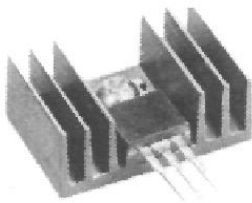
**Thermal Resistance** 3.5

**Package Cooled** TO-218  
TO-220  
TO-247

**H** 50.8

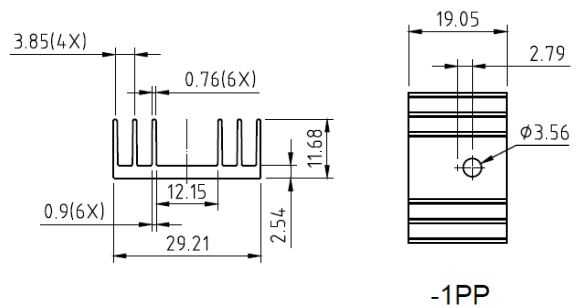


## PAT-EXT-7340-1PP (AL6063 Black Anodized)



**Thermal Resistance** 14

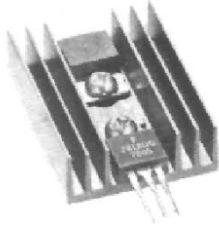
**Package Cooled** TO-126  
TO-202  
TO-218  
TO-220



-1PP

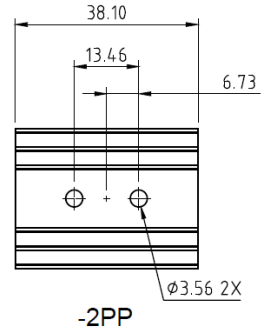
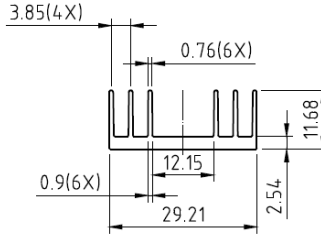


## PAT-EXT-7340-2PP (AL6063 Black Anodized)

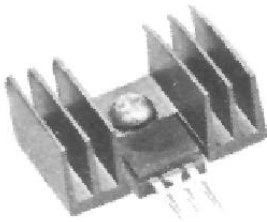


**Thermal Resistance** 3.1

**Package Cooled** TO-126  
TO-202  
TO-218  
TO-220

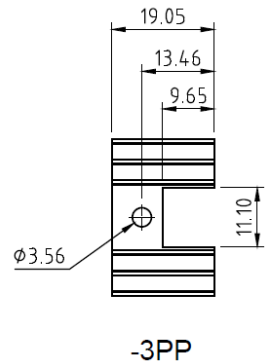
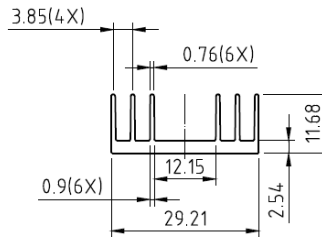


## PAT-EXT-7340-3PP (AL6063 Black Anodized)

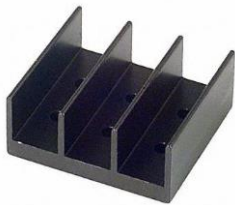


**Thermal Resistance** 14

**Package Cooled** TO-126  
TO-202  
TO-218  
TO-220



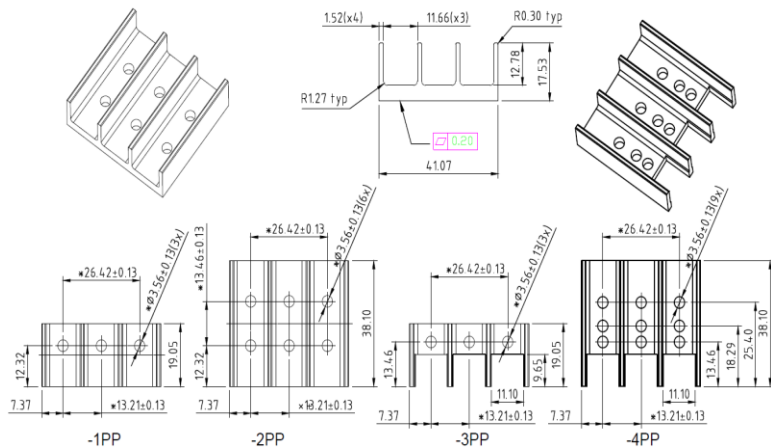
## PAT-EXT-7342-2PP (AL6063 Black Anodized)



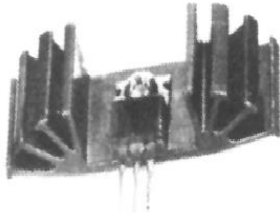
**Thermal Resistance** 5

**Package Cooled** TO-220

**H** 38.1

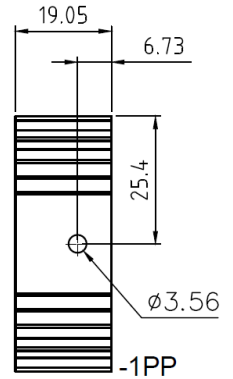
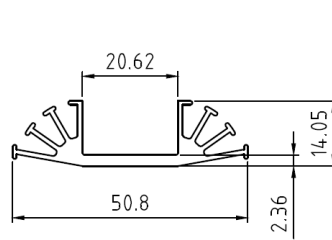


### PAT-EXT-7345-1PP (AL6063 Black Anodized)

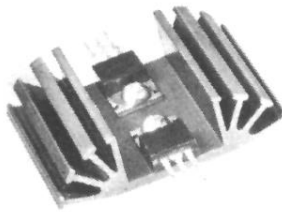


**Thermal Resistance** 9

**Package Cooled** TO-126  
TO-202  
TO-218  
TO-220

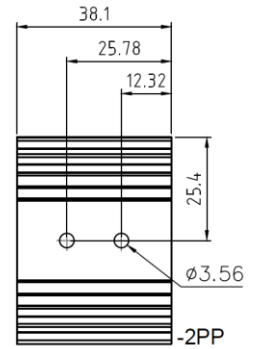
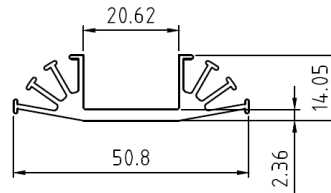


### PAT-EXT-7345-2PP (AL6063 Black Anodized)

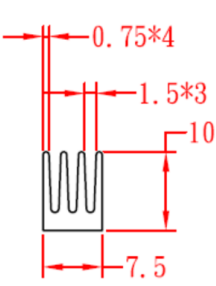


**Thermal Resistance** 14

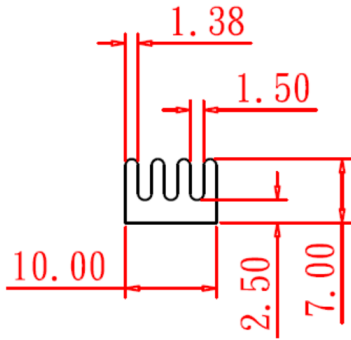
**Package Cooled** TO-126  
TO-202  
TO-218  
TO-220



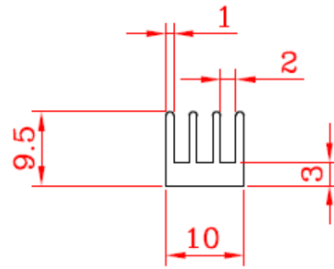
### Extruded Heat sink



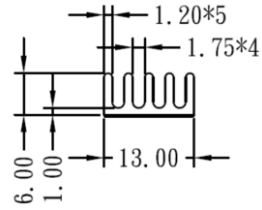
W7.5H10



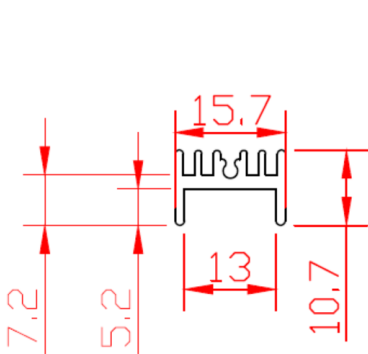
W10H7



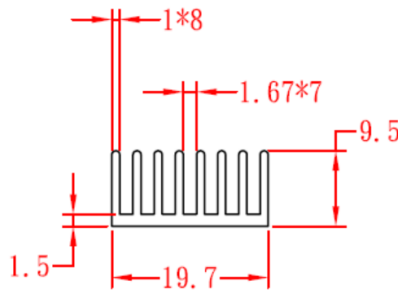
W10H9.5



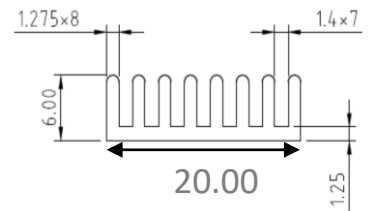
W13H6



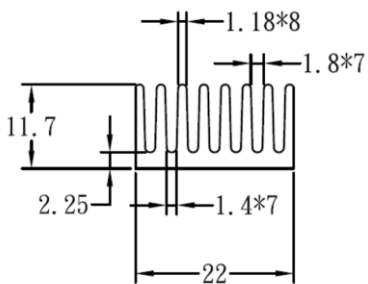
W15.7H10.7



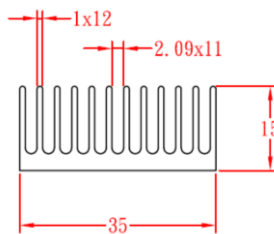
W19.7H9.5



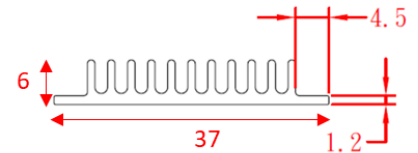
W20H6



W22H11.7



W35H15



W37H6