

(VOLTAGE CONTROLLED) TEMP. COMPENSATED OSCILLATOR SPECIFICATION

General Information

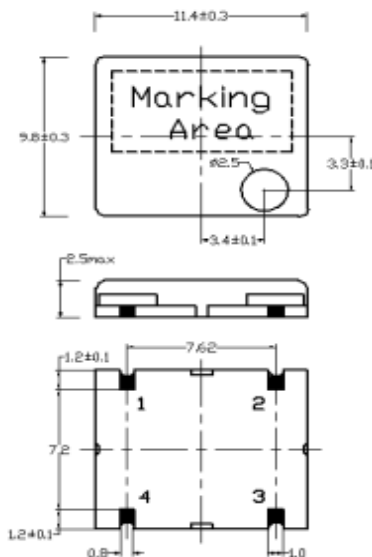
Product Type: TCXO=TX, VCTCXO=VX
 Package Type: **ETXF**

Electrical Specifications

Frequency: 2~30MHz
 Supply Voltage: 3.3V / 5.0V
 Load: TTL2, 10KOhm//10pF
 Operation Temp.: Up to -30°C to +80°C
 Frequency Stability over Temp.: ±2.0~5.0 ppm max
 Frequency Stability vs.Volt: ±0.5 ppm max
 Frequency Stability vs.Load: ±0.2 ppm max
 Aging: ±1.0/First year
 Tolerance@25C: ±0.5 ppm max
 Output Level: TTL, HCMOS / 0.7~1.0
 Output Waveform: Rectangular, Clipped sine wave
 Supply Current: 20.0, 2.0mA Max
 Frequency adjustment: ±3.0ppm Min(by internal trimmer)
 Frequency Deviation(VX) ±5~15ppm
 Control voltage(Vcon): 1.65±1.5V, 2.5V±2.0V

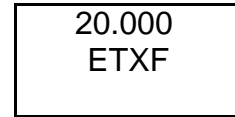
Package Dimensions

L x W x H
 11.4 x 9.8 x 2.5mm



Marking

Line 1 Frequency
 Line 2 Series



Pin	F2/ F2T	F4
1	GND	NC(TX), Vc(VX)
2	GND	GND
3	Output	Output
4	GND	Vcc
5	NC/Vc	
6	Vcc	



DWG. No.: ETXF-04		REV.:
DATE:	BY:	
PAGE: 1 of 1	APPROVAL:	