



KJA Double Flange Series

38999-Style Series III Double Flange Receptacles for PCB Mounting offer convenience, performance and reliability, no matter the conditions or environment

ITT Cannon's robust interconnect solutions are highly engineered for use in high vibration, harsh environment applications across the Aerospace & Defense Industry.

From military and commercial aviation to communications systems and ground transports, Cannon's 38999-Style Series III Double-Flange Receptacles perform consistently in the most critical situations.

Cannon's Double-Flange receptacles conveniently allow for attachment directly to the connector shell, improving grounding, reducing contact solder joint stress, and eliminating extra hardware. They are available in our full range of standard Cannon KJA contact arrangements.

Key Features

- Reduced vibration and improved grounding
- Eliminates extra hardware
- Double Flange Receptacles for PC board mounting offer convenient method of PC board attachment
- Designed for use with standard length PCB contacts
- Receptacles are compatible with KJA or 38999 Series III plugs
- Offered in Box Mount and Jam Nut layouts



KJA Double Flange Ordering Guide

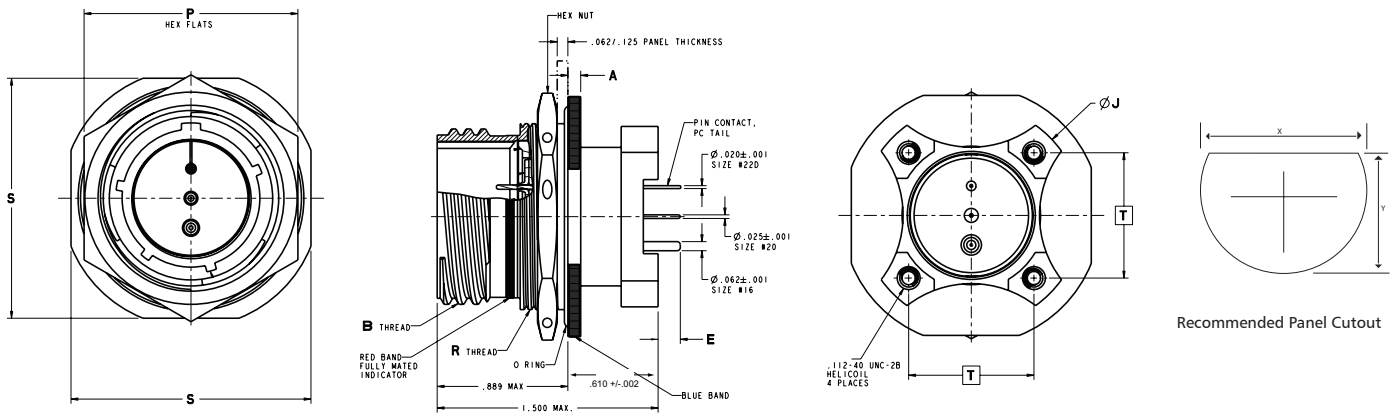
1- Shell Style	2 - Class	3- Shell Size	4- Hardware Finish	5- Contact Arrangement	6- Contact Style	7- Polarization	8- MOD Code
KJAD0	T	13	F	35	P	N	115

1- Shell Style	
KJAD0	KJA (38999-style III) Double Flange Box Mount Receptacle
KJAD7	KJA (38999-style III) Double Flange Jam Nut Receptacle
2- Class	
T	Environment Resistant
3- Shell Sizes	
9, 11, 13, 15, 17, 19, 21, 23, 25	

4 - Hardware Finish	
F	Electroless nickel, - 85°F to +392°F (-65°C to +200°C) (RoHS)
G	Electroless nickel plated. Space Grade. (RoHS)
W	Olive drab cadmium over electroless nickel plate, - 85°F to +347°F (-65°C to +175°C)
Z	Black Zinc Nickel (RoHS)
Note- For alternative finishes, please contact the factory	
5- Contact Arrangement	
Per MIL-STD-1560 or ITT Cannon KJA Series	
6- Contact Style	
P	Pin
S	Socket

7- Polarization			
Per KJA / 38999 Series III - N (Normal), A, B, C, D, E			
8- Modification Codes - PC Tail Extension			
Mod Code	E PC Tail Extension +/- .020	Lead Tinned	RoHS
115	.150	No	Yes
115LT	.150	Yes	No
120	.200	No	Yes
120LT	.200	Yes	No
If not specified, PC Tail will be the 115 Code *Reference page 2 drawing			

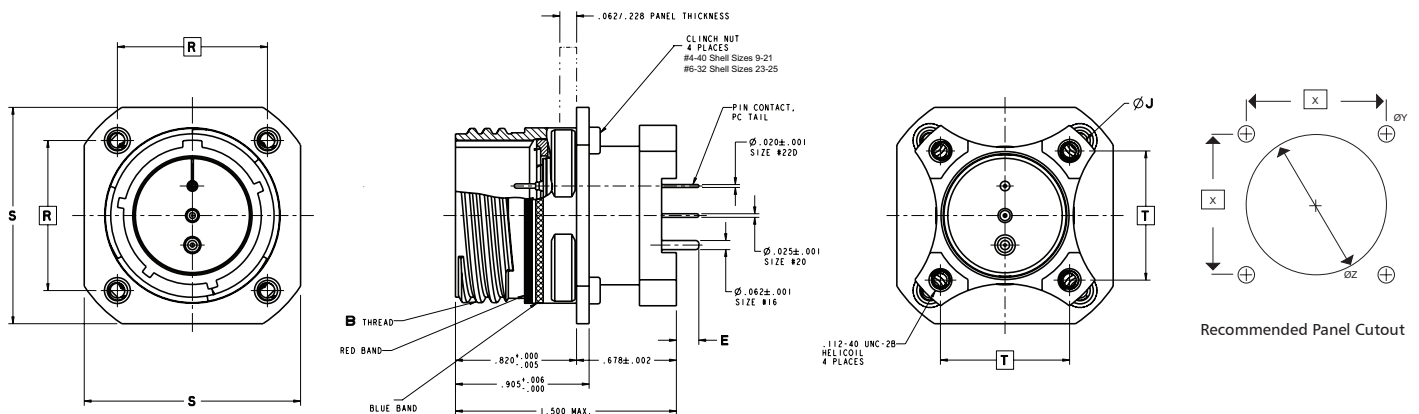
KJAD7 Jam Nut Specifications



Shell Size	A +.035 -.004	B Thread Class 2A Triple Start	R Thread Metric	ØJ ±.010	P Hex ±.017	S ±.015	T	X +.010 -.000	Y +.000 -.010
9	.087	.6250-0. 1P-0.3L - TS	M17X1 - 6g 0.100R	.935	.876	1.063	.496	.693	.657*
11	.087	.7500-0. 1P-0.3L - TS	M20X1 - 6g 0.100R	1.062	1.001	1.252	.586	.825	.771
13	.087	.8750-0. 1P-0.3L - TS	M25X1 - 6g 0.100R	1.250	1.189	1.374	.697	1.010	.955
15	.087	1.0000-0. 1P-0.3L - TS	M28X1 - 6g 0.100R	1.375	1.313	1.500	.785	1.135	1.085
17	.087	1.1875-0. 1P-0.3L - TS	M32X1 - 6g 0.100R	1.500	1.439	1.626	.884	1.260	1.210
19	.118	1.2500-0. 1P-0.3L - TS	M35X1 - 6g 0.100R	1.625	1.563	1.811	.972	1.385	1.335
21	.118	1.3750-0. 1P-0.3L - TS	M38X1 - 6g 0.100R	1.750	1.689	1.937	1.057	1.510	1.460
23	.118	1.500-0. 1P-0.3L - TS	M41X1 - 6g 0.100R	1.875	1.813	2.063	1.118	1.635	1.585
25	.118	1.6250-0. 1P-0.3L - TS	M44X1 - 6g 0.100R	2.000	2.000	2.189	1.222	1.760	1.710

* FOR DIMENSION Y, SHELL SIZE 9 ONLY, TOLERANCE IS +.004/-0.002.

KJAD0 Box Mount Specifications



Shell Size	B Thread Class 2A Triple Start	ØJ ±.010	R	S ±.015	T	X	ØY ±.005	ØZ Min
9	.6250-0. 1P-0.3L - TS	.935	.657	1.107	.511	.657	.128	.656
11	.7500-0. 1P-0.3L - TS	1.062	.766	1.215	.601	.766	.128	.796
13	.8750-0. 1P-0.3L - TS	1.250	.859	1.309	.703	.859	.128	.922
15	1.0000-0. 1P-0.3L - TS	1.375	.938	1.369	.791	.938	.128	1.047
17	1.1875-0. 1P-0.3L - TS	1.500	1.016	1.465	.875	1.016	.128	1.219
19	1.2500-0. 1P-0.3L - TS	1.625	1.110	1.586	.975	1.110	.128	1.297
21	1.3750-0. 1P-0.3L - TS	1.750	1.206	1.712	1.053	1.206	.128	1.422
23	1.500-0. 1P-0.3L - TS	1.875	1.312	1.838	1.145	1.312	.154	1.547
25	1.6250-0. 1P-0.3L - TS	2.000	1.438	1.960	1.233	1.438	.150	1.672

Connect with your ITT Cannon representative today or visit us at ittcannon.com

Follow us

GERMANY - Weinstadt
+49.7151.699.0

ITALY - Lainate
+39.02938721

KOREA
+82.2.702.7111

CHINA - Shenzhen City
+86.755.2726.7888

CHINA - Shanghai
+ 86.21.2231.2222

UK - Basingstoke
+44.1256.347400

FRANCE
+33.1.60.04.93.93

HONG KONG
+852.2732.2720

JAPAN - Kanagawa
+81.462.57.2010

MEXICO - Nogales
+52.631.3110050

SINGAPORE
+65 66974205

USA - Irvine, CA
+1.800.854.3028

The "ITT Engineered Blocks" symbol, "ITT" and "Cannon" are registered trademarks of ITT Inc.

Specification and other data are based on information available at the time of printing, and are subject to change without notice.

© 2024 ITT Inc.

ITT Cannon Double Flange SS 10/2024