

F24S1

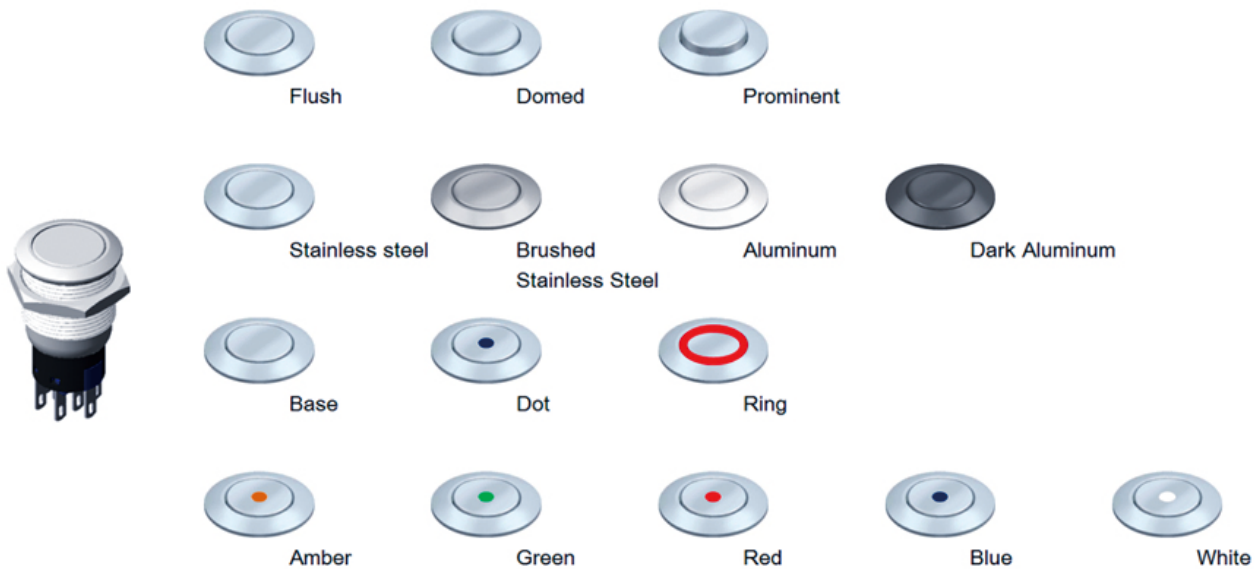


- For a mounting hole diameter of 19 mm
- Contact blocks with silver contacts
- Degree of Protection. IP67
- Three different top type; Flush, Prominent or Domed



Technical data				
Rated Voltage	250V			
Rated Current	5A			
Operating Voltage(AC/DC)	12V	30V	125V	250V
AC(50/60 Hz) Resistive Load	5.0A	5.0A	4.0A	2.0A
AC(50/60 Hz) Inductive Load	5.0A	5.0A	3.0A	1.5A
DC Resistive Load	1.0A	1.0A	0.32A	0.16A
DC Inductive Load	1.0A	1.0A	0.22A	0.11A
Dielectric Strength	Between live part and ground: 2,000V AC, 1 min. Between terminals of the same poles: 1,000V AC, 1 min.			
Contact Resistance	50 mΩ maximum (initial value)			
Insulation Resistance	100 MΩ minimum (500V DC)			
Operating Humidity	45 to 85% RH (no condensation)			
Storage Temperature	- 30 to +80°C (no freezing)			
Operating Temperature	- 25 to +50°C (no freezing)			
Vibration Resistance	Operating extremes/Damage limits: 10 to 55 Hz, amplitude 0.5 mm			
Shock Resistance	Damage limits: 500 m/s ² Operating extremes: 200 m/s ²			
Mechanical Life	Momentary: 250,000 Maintained: 100,000			
Electrical Life	50,000			
Degree of Protection	IP 67			
Terminal Style	Solder terminal			
Weight (approx.)	22/13g (Stainless Steel/Aluminum)			

Selection diagram



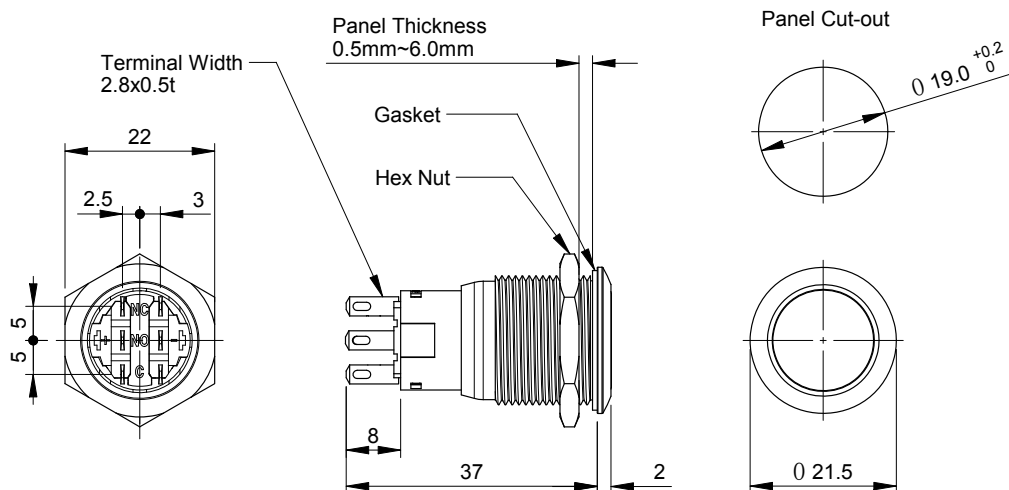
F24S1 Vandal Resistant Switch

F24S1 Flush Vandal Resistant Switch



Operation	Contacts	Type No.	LED Voltage	▲ LED Color Code	▼ Material/Finish
Momentary	1NO1NC	F24S1-1230NF ▼ 000	-	-	S:Stainless Steel P:Brushed Stainless Steel A:Aluminum B:Dark Aluminum
	2NO2NC	F24S1-1240NF ▼ 000			
Maintained	1NO1NC	F24S1-2230NF ▼ 000			
	2NO2NC	F24S1-2240NF ▼ 000			

Dimensions



Vandal Resistant Switch

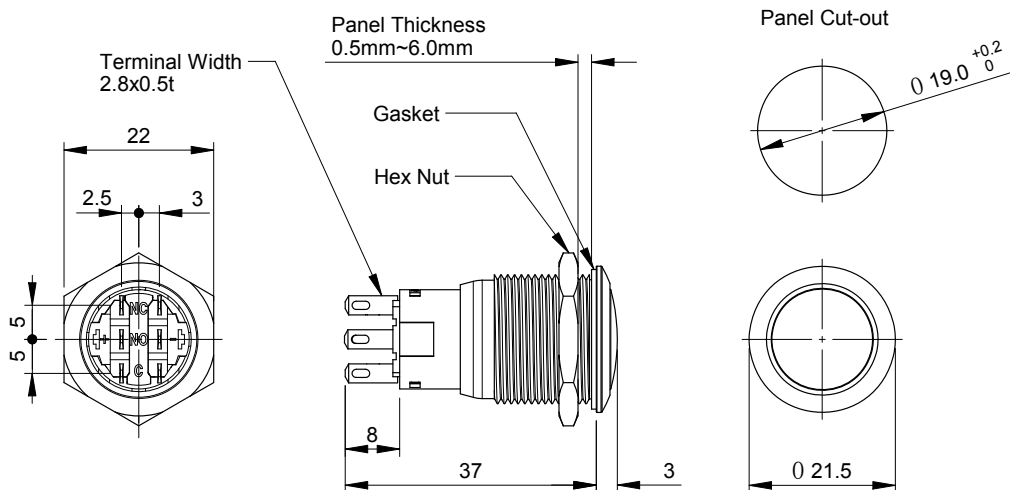
F24S1 Vandal Resistant Switch

F24S1 Domed Vandal Resistant Switch



Operation	Contacts	Type No.	LED Voltage	▲ LED Color Code	▼ Material/Finish
Momentary	1NO1NC	F24S1-1230ND ▼ 000	-	-	S:Stainless Steel P:Brushed Stainless Steel A:Aluminum B:Dark Aluminum
	2NO2NC	F24S1-1240ND ▼ 000			
Maintained	1NO1NC	F24S1-2230ND ▼ 000			
	2NO2NC	F24S1-2240ND ▼ 000			

Dimensions



Vandal Resistant Switch

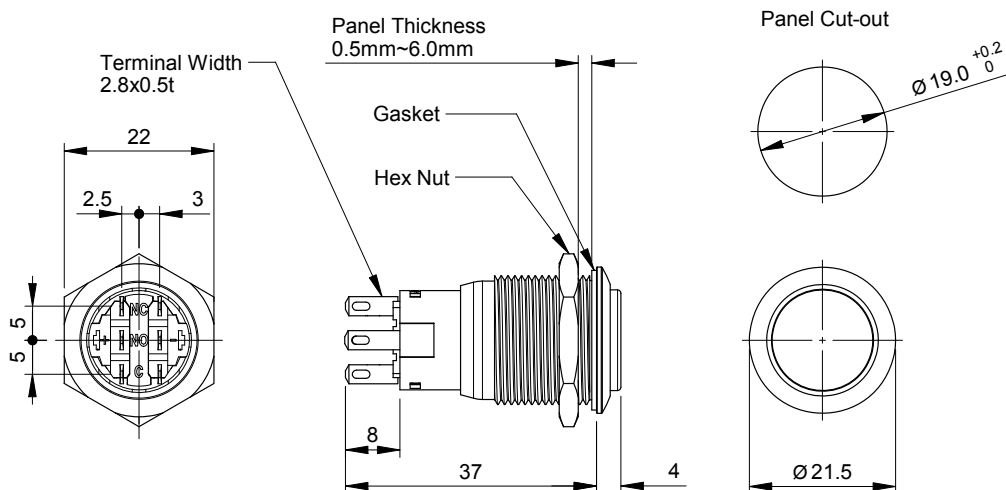
F24S1 Vandal Resistant Switch

F24S1 Prominent Vandal Resistant Switch



Operation	Contacts	Type No.	LED Voltage	▲ LED Color Code	▼ Material/Finish
Momentary	1NO1NC	F24S1-1230NP ▼ 000	-	-	S:Stainless Steel P:Brushed Stainless Steel A:Aluminum B:Dark Aluminum
	2NO2NC	F24S1-1240NP ▼ 000			
Maintained	1NO1NC	F24S1-2230NP ▼ 000			
	2NO2NC	F24S1-2240NP ▼ 000			

■ Dimensions



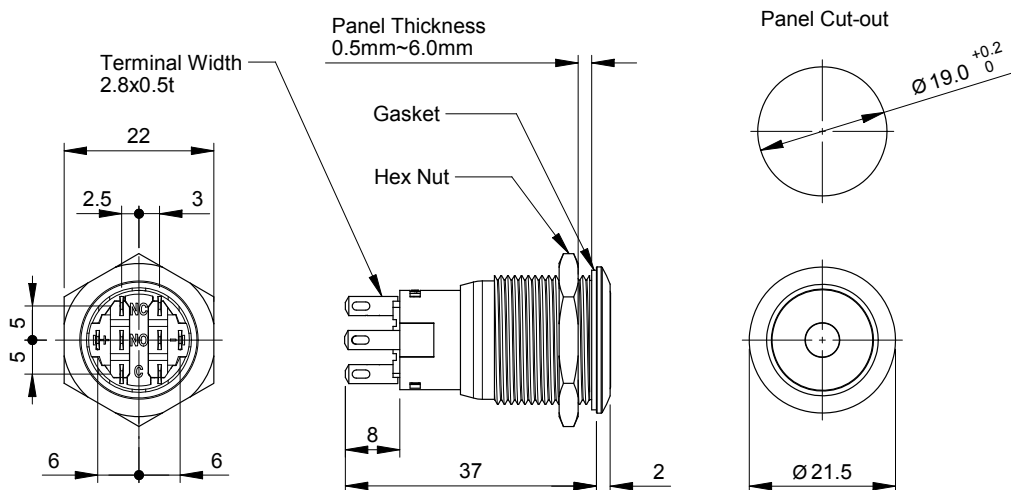
F24S1 Illuminated Vandal Resistant Switch

F24S1 Flush Illuminated Vandal Resistant Switch-Dot



Operation	Contacts	Type No.	◆ LED Voltage	▲ LED Color Code	▼ Material/Finish
Momentary	1NO1NC	F24S1-123 ◆▲ F ▼ 001	2: 6V 3: 12V 4: 24V	A: Amber G: Green R: Red B: Blue W: White	S:Stainless Steel P:Brushed Stainless Steel A:Aluminum B:Dark Aluminum
	2NO2NC	F24S1-124 ◆▲ F ▼ 001			
Maintained	1NO1NC	F24S1-223 ◆▲ F ▼ 001			
	2NO2NC	F24S1-224 ◆▲ F ▼ 001			

■ Dimensions



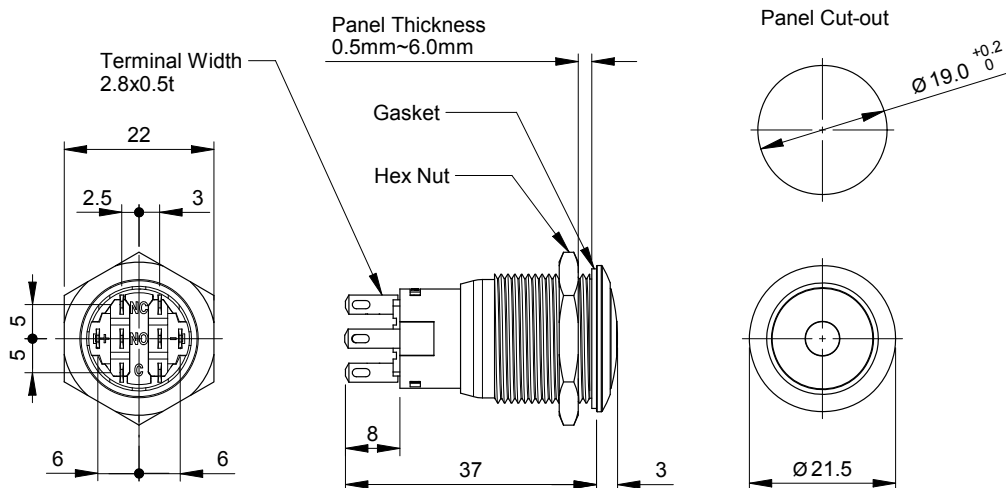
F24S1 Illuminated Vandal Resistant Switch

F24S1 Domed Illuminated Vandal Resistant Switch-Dot



Operation	Contacts	Type No.	◆ LED Voltage	▲ LED Color Code	▼ Material/Finish
Momentary	1NO1NC	F24S1-123 ◆▲ D ▼ 001	2: 6V 3: 12V 4: 24V	A: Amber G: Green R: Red B: Blue W: White	S:Stainless Steel P:Brushed Stainless Steel A:Aluminum B:Dark Aluminum
	2NO2NC	F24S1-124 ◆▲ D ▼ 001			
Maintained	1NO1NC	F24S1-223 ◆▲ D ▼ 001			
	2NO2NC	F24S1-224 ◆▲ D ▼ 001			

■ Dimensions



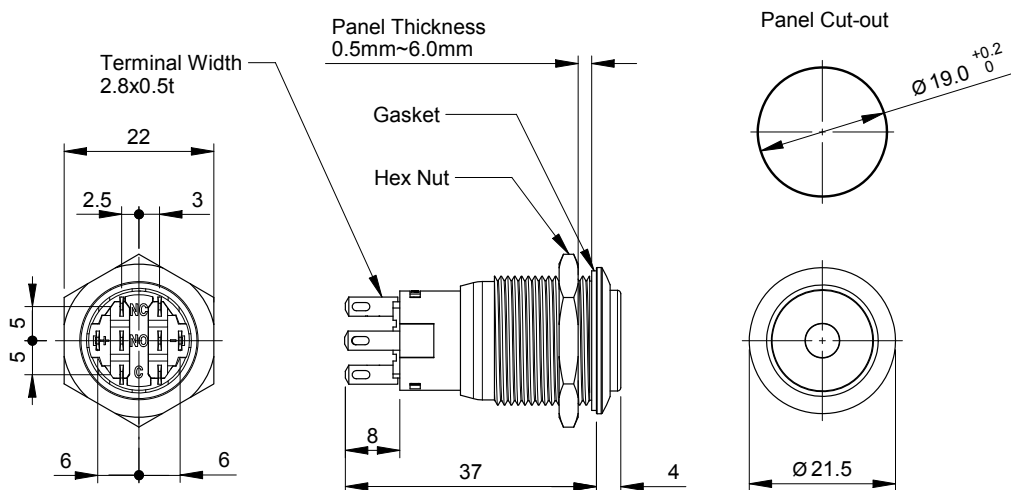
F24S1 Illuminated Vandal Resistant Switch

F24S1 Prominent Illuminated Vandal Resistant Switch-Dot



Operation	Contacts	Type No.	◆ LED Voltage	▲ LED Color Code	▼ Material/Finish
Momentary	1NO1NC	F24S1-123 ◆▲ P ▼ 001	2: 6V 3: 12V 4: 24V	A: Amber G: Green R: Red B: Blue W: White	S:Stainless Steel P:Brushed Stainless Steel A:Aluminum B:Dark Aluminum
	2NO2NC	F24S1-124 ◆▲ P ▼ 001			
Maintained	1NO1NC	F24S1-223 ◆▲ P ▼ 001			
	2NO2NC	F24S1-224 ◆▲ P ▼ 001			

Dimensions



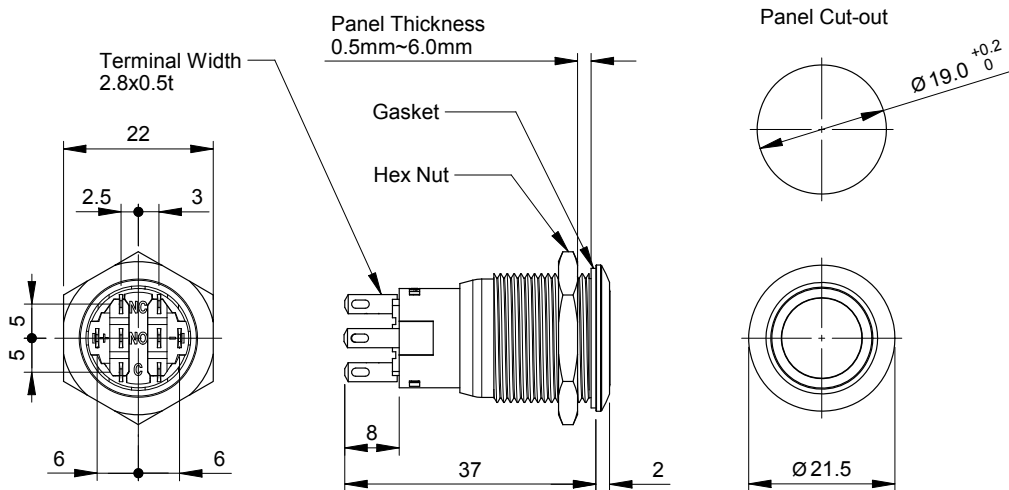
F24S1 Illuminated Vandal Resistant Switch

F24S1 Flush Illuminated Illuminated Vandal Resistant Switch-Ring



Operation	Contacts	Type No.	◆ LED Voltage	▲ LED Color Code	▼ Material/Finish
Momentary	1NO1NC	F24S1-123 ◆▲ F ▼ 002	2: 6V 3: 12V 4: 24V	A: Amber G: Green R: Red B: Blue W: White	S:Stainless Steel P:Brushed Stainless Steel A:Aluminum B:Dark Aluminum
	2NO2NC	F24S1-124 ◆▲ F ▼ 002			
Maintained	1NO1NC	F24S1-223 ◆▲ F ▼ 002			
	2NO2NC	F24S1-224 ◆▲ F ▼ 002			

Dimensions



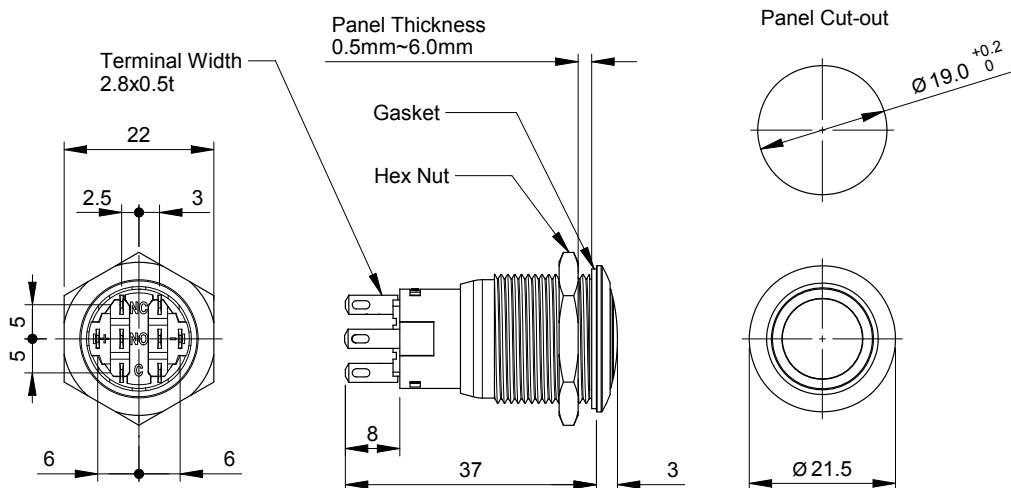
F24S1 Illuminated Vandal Resistant Switch

F24S1 Domed Illuminated Vandal Resistant Switch-Ring



Operation	Contacts	Type No.	◆ LED Voltage	▲ LED Color Code	▼ Material/Finish
Momentary	1NO1NC	F24S1-123 ◆▲ D ▼ 002	2: 6V 3: 12V 4: 24V	A: Amber G: Green R: Red B: Blue W: White	S:Stainless Steel P:Brushed Stainless Steel A:Aluminum B:Dark Aluminum
	2NO2NC	F24S1-124 ◆▲ D ▼ 002			
Maintained	1NO1NC	F24S1-223 ◆▲ D ▼ 002			
	2NO2NC	F24S1-224 ◆▲ D ▼ 002			

Dimensions



F24S1 Illuminated Vandal Resistant Switch

F24S1 Prominent Illuminated Vandal Resistant Switch-Ring



Operation	Contacts	Type No.	◆ LED Voltage	▲ LED Color Code	▼ Material/Finish
Momentary	1NO1NC	F24S1-123 ◆▲ P ▼ 002	2: 6V 3: 12V 4: 24V	A: Amber G: Green R: Red B: Blue W: White	S:Stainless Steel P:Brushed Stainless Steel A:Aluminum B:Dark Aluminum
	2NO2NC	F24S1-124 ◆▲ P ▼ 002			
Maintained	1NO1NC	F24S1-223 ◆▲ P ▼ 002			
	2NO2NC	F24S1-224 ◆▲ P ▼ 002			

■ Dimensions

