

MICROPROCESSOR CRYSTAL SPECIFICATION

General Information

Product Type: HC-49/U
 Package Type: **EZXTA**

Electrical Specifications

Frequency: 1.800MHz to 180.000MHz
 Oscillation Mode: Fundamental, 3rd, 5th Overtone
 Calibration Frequency Tolerance: $\pm 10\text{ppm} \sim \pm 50\text{ppm} @ 25^\circ\text{C}$
 Frequency Stability over Temp.: $\pm 10\text{ppm} \sim \pm 50\text{ppm}$
 Operating Temperature: $0 \sim +70^\circ\text{C}$, $-40 \sim +85^\circ\text{C}$, $-55 \sim +125^\circ\text{C}$ (Option)
 Storage Temperature: $-55^\circ\text{C} \sim +125^\circ\text{C}$
 Load Capacitance: 10 TO 32pF OR Series
 Shunt Capacitance: 7pF Max
 Equivalent Series Resistance: 20~400 Ohms Max
 Drive Level: 50 μW Typical, 1mW Max
 Aging: $\pm 3.0\text{ppm}$ per year Max

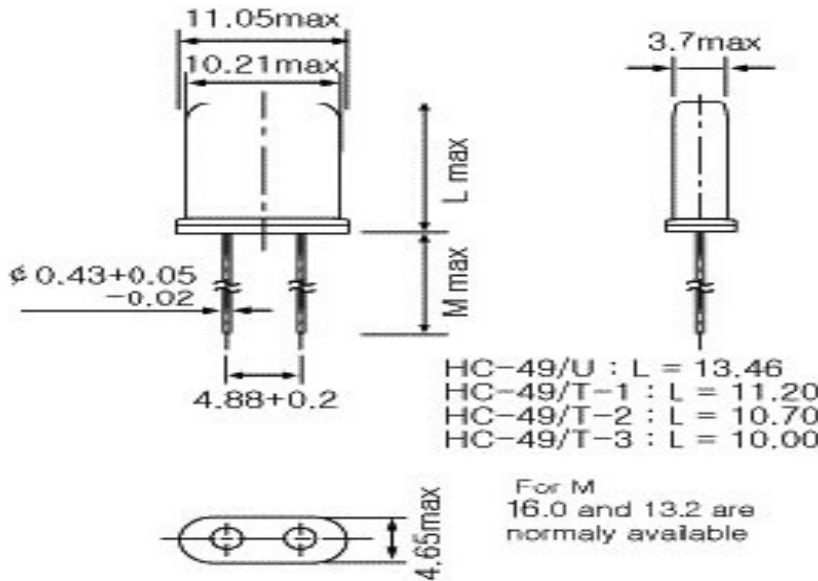
Package Dimensions

L x W x H
 11.05 x 4.65 x 13.46mm

Marking

Line 1 Frequency
 Line 2 Series

8.000
EZXTA



SCHMID-M

DWG. No.: EZXTA-2011		REV.:
DATE:	BY:	
PAGE: 1 of 1	APPROVAL:	