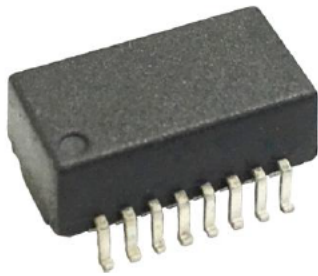


## HS Series



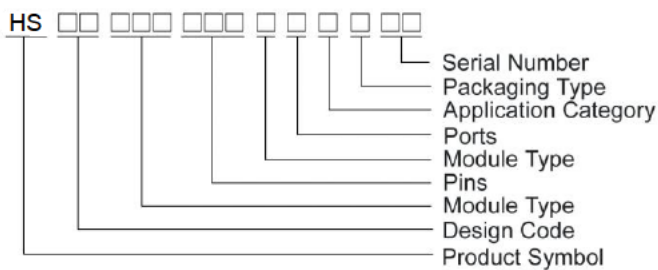
### Features

- Compliant and peak reflow temperature rating 245°C
- Meets IEEE802.3 specification
- Comply with ROHS & Halogen Free requirements
- Excellent common mode noise suppression

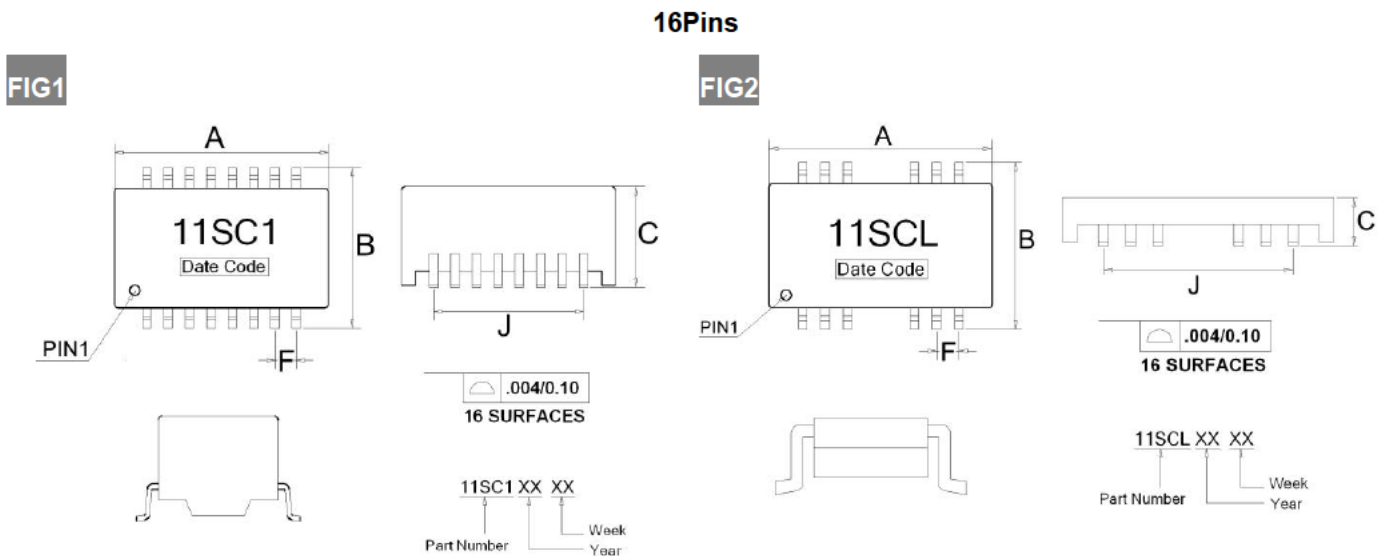
### Applications

- Ethernet Application
- Power of Ethernet Application

### Product Identification



### Mechanical Dimension

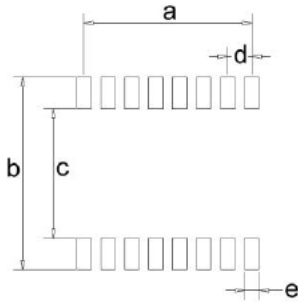


Dimensions in mm

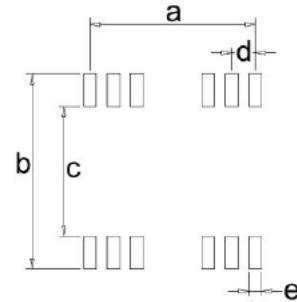
TYPE	FIG	A	B	C	F	J
HS00DIS016M1xSCx	1	12.80±0.25	9.30±0.25	5.65±0.25	1.27±0.25	8.89±0.25
HS00DIS016M11SCB	1	12.75±0.25	9.50±0.25	2.05±0.25	1.27±0.25	8.89±0.25
HS00DIS016M11SCL	2	12.75±0.25	9.14±0.25	2.05±0.25	1.27±0.25	8.89±0.25

**Suggested Land Pattern**

**FIG1**



**FIG2**

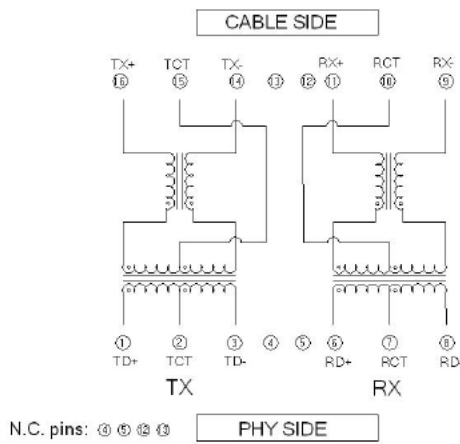


Dimensions in mm

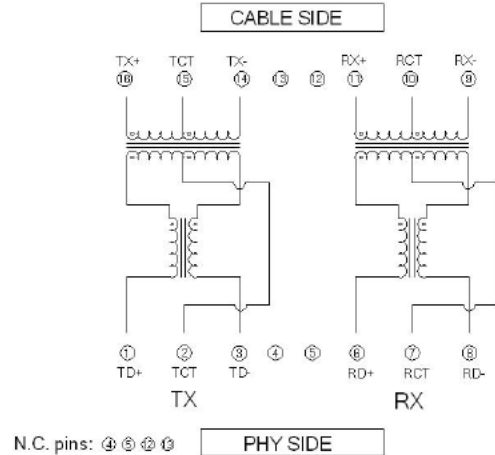
TYPE	FIG	a	b	c	d	e
HS00DIS016M1xSCx	1	8.89	10.2	6.86	1.27	0.76
HS00DIS016M11SCB	1	8.89	10.65	6.83	1.27	0.76
HS00DIS016M11SCL	2	8.89	10.65	6.83	1.27	0.76

**Schematics**

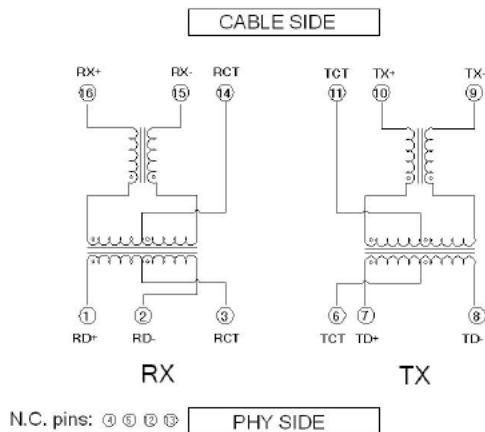
**HS00DIS016M11SC1~2• 4• 6~7• B~G• J~K• M**



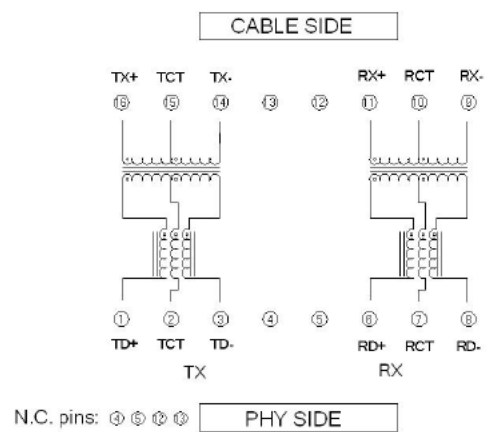
**HS00DIS016M11SC3• 5• CH**



**HS00DIS016M11SCL**



**HS00DIS016M13SC1~2**



## Electrical Characteristics

Inductance @ Phy side (OCL)

100kHz, 0.1V, 8mA DC Bias 350uH Min

Part Number	Turns Ratio		Hipot Vrms, Sec Pri to Sec@60Hz,1mA
	TX	RX	
HS00DIS016M1xSCx	1:1•3%		1500, 60

Part Number	Speed Rated	Insertion Loss dB(Max)	Return Loss dB(Min)							DMCR dB(Min)				Crosstalk dB(Min)		
			1~100	1~30	40	50	60	80	100	30	50	60	100	30	60	100
MHz																
HS00DIS016M11SC1	10/100	-1.1	-18	-14.1	-13.1	-12	-10	-42	-37	-	-33	-45	-40	-35		
HS00DIS016M11SCB	10/100	-1.1	-20	-	-	-14	-11.5	-	-42	-37	-	-33	-45	-40	-35	
HS00DIS016M11SCC	10/100	-1.1	-20	-	-	-14	-11.5	-	-42	-37	-	-33	-45	-40	-35	
HS00DIS016M11SCD	10/100	-1.1	-20	-	-	-14	-11.5	-	-42	-37	-	-33	-45	-40	-35	
HS00DIS016M11SCF	10/100	-1.1	-20	-	-	-14	-11.5	-	-42	-37	-	-33	-45	-40	-35	
HS00DIS016M11SCH	10/100	-1.1	-18	-14.1	-13.1	-12	-10	-42	-37	-	-33	-45	-40	-35		
HS00DIS016M11SCJ	10/100	-1.1	-20	-	-	-14	-11.5	-	-42	-37	-	-33	-45	-40	-35	
HS00DIS016M11SCK	10/100	-1.1	-20	-	-	-14	-11.5	-	-42	-37	-	-33	-45	-40	-35	
HS00DIS016M11SCL	10/100	-1.1	-20	-	-	-14	-11.5	-	-42	-37	-	-33	-45	-40	-35	

- Operating temperature range 0 • 70 •
- Storage temperature range 25 • 105 •
- Electrical Specification @25 • Humidity 65% RH

Part Number	Speed Rated	Insertion Loss dB(Max)	Return Loss dB(Min)							DC Current Rating (Max)	DMCR dB(Min)			Crosstalk dB(Min)		
			1~100	1~30	40	50	60	80	100		30	50	100	30	60	100
MHz																
HS00DIS016M11SC2	10/100	-1.1	-20	-	-	-12	-10	-	420mA DC at 57 V	-42	-37	-33	-45	-40	-35	
HS00DIS016M11SC3	10/100	-1.1	-18	-14.1	-13.1	-12	-10	-	-	-42	-37	-33	-45	-40	-35	
HS00DIS016M11SC4	10/100	-1.1	-18	-	-	-12	-10	-	-	-42	-37	-33	-45	-40	-35	
HS00DIS016M11SC5	10/100	-1.1	-18	-14.1	-13.1	-12	-10	-	-	-42	-37	-33	-45	-40	-35	
HS00DIS016M11SC6	10/100	-1.1	-20	-	-	-12	-10	-	420mA DC at 57 V	-42	-37	-33	-45	-40	-35	
HS00DIS016M11SC7	10/100	-1.1	-18	-	-	-12	-10	-	-	-42	-37	-33	-45	-40	-35	
HS00DIS016M11SCG	10/100	-1.1	-20	-	-	-12	-10	-	420mA DC at 57 V	-42	-37	-33	-45	-40	-35	
HS00DIS016M11SCM	10/100	-1.1	-18	-	-	-12	-10	-	-	-42	-37	-33	-45	-40	-35	
HS00DIS016M13SC1	10/100	-1.0	-18	-	-	-14	-12	-10	720mA DC at 57 V	-43	-37	-33	-45	-40	-35	
HS00DIS016M13SC2	10/100	-1.0	-18	-	-	-14	-12	-10	720mA DC at 57 V	-43	-37	-33	-45	*40	-35	

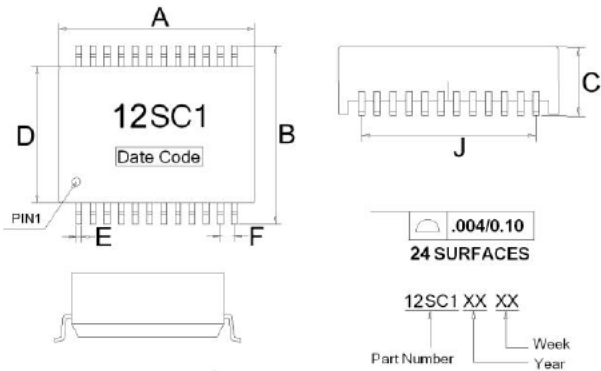
- Operating temperature range -40 • 85 •
- Storage temperature range 25 • 105 •
- Electrical Specification @25 • Humidity 65% RH

Please be sure to request approval specifications that provide further details of the products. Kindly note that the content of these specifications are subject to change or may be discontinued without prior notice. This product may not be designed/used in medical or high risk applications without Shinhom approval. Please contact our sales department before ordering.

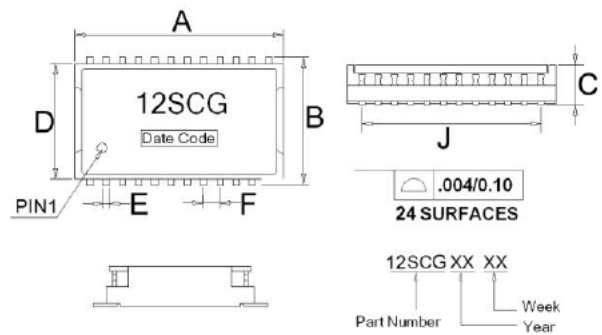
**Mechanical Dimension**

**24Pins**

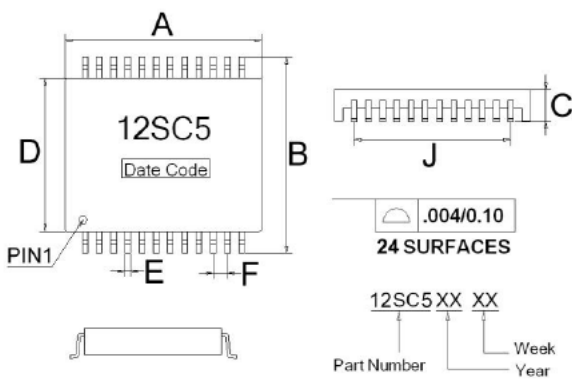
**FIG1**



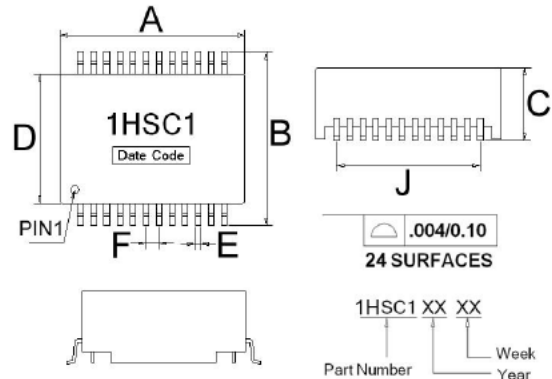
**FIG2**



**FIG3**



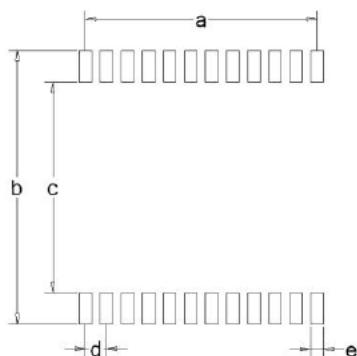
**FIG4**



Dimensions in mm

TYPE	FIG	A	B	C	D	E	F	J
HS00DIS024M12SCB-F	1	15.1±0.25	10±0.25	4±0.25	7.1±0.25	0.38±0.13	1.0±0.13	11±0.13
HS00DIS024M12SCG	2	15.6±0.25	9.47±0.25	2.3±0.1	8.5±0.25	0.45±0.13	1.27±0.25	13.97±0.13
HS00DIS024M1xSCx	1	17.55±0.25	15.9±0.25	6±0.25	12.2±0.25	0.46±0.13	1.27±0.25	13.97±0.25
HS00DIS024M12SC4-9	1	17.55±0.25	16±0.25	5.7±0.25	12.2±0.25	0.46±0.13	1.27±0.25	13.97±0.25
HS00DIS024M14SC1-8	1	17.55±0.25	16±0.25	5.7±0.25	12.2±0.25	0.46±0.13	1.27±0.25	13.97±0.25
HS00DIS024M1HSC1	4	13.6±0.15	15±0.2	6•0.15	12±0.15	0.41±0.05	0.99±0.05	10.9±0.25

**Suggested Land Pattern**

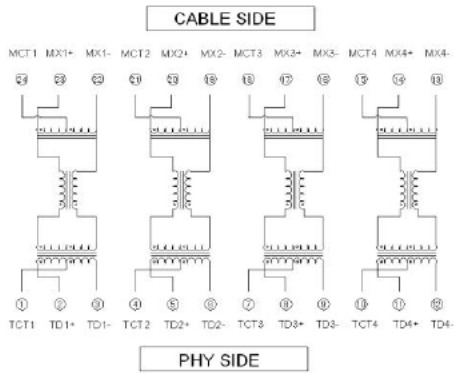


Dimensions in mm

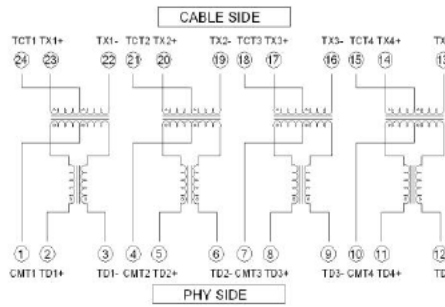
TYPE	a	b	c	d	e
HS00DIS024M1HSC1	10.9	16.5	13.5	0.99	0.6
HS00DIS024M12SCB-F	11	10.7	8	1	0.6
HS00DIS024M1xSCx	13.97	17	11.92	1.27	0.76
HS00DIS024M12SCG	13.97	10.5	7.4	1.27	0.8

Schematics

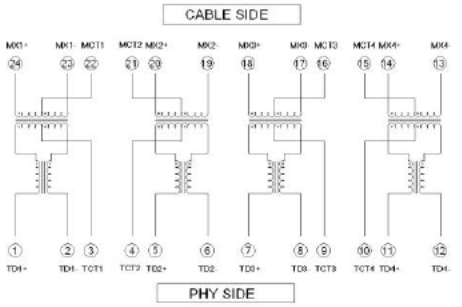
HS00DIS024M12SC1-3



HS00DIS024M12SCB-C- 14SC1

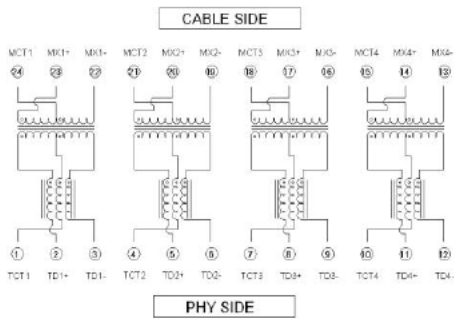


HS00DIS024M12SCG



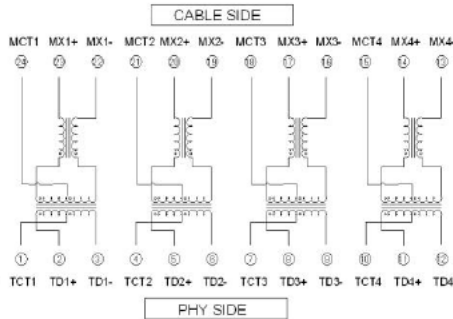
HS00DIS024M14SC4-6

HS00DIS024M1ASC1- 1HSC1



HS00DIS024M12SC4- 6~9- D-F

HS00DIS024M14SC2-3- 8- 1ASC2~4- 1C(D- G)SC1



## Electrical Characteristics

## Inductance @ Phy side (OCL)

100kHz, 0.1V, 8mA DC Bias 350uH Min

Part Number	Turns Ratio	Hipot Vrms, Sec Pri to Sec@60Hz,1mA
	•8%	
HS00DIS024M1xSxx	1:1	1500, 60

Part Number	Speed Rated	Insertion Loss dB(Max)			Return Loss dB(Min)						DMCR dB(Min)				Crosstalk dB(Min)			
		0.1	1~100	125	1~30	40	50	60	80	100	2	30	60	100	1	30	60	100
	Base-T	MHz																
HS00DIS024M12SC2	1000	-	-1.0	-	-18	-14	-13	-12	-10	-	-43	-37	-33	-	-43	-37	-33	
HS00DIS024M12SC3	1000	-	-1.0	-	-18	-14	-13	-12	-10	-	-43	-37	-33	-	-43	-37	-33	
HS00DIS024M12SC4	1000	-	-1.0	-	-18	-14	-13	-12	-10	-	-43	-37	-33	-	-43	-37	-33	
HS00DIS024M12SC6	1000	-	-1.0	-	-18	-14	-13	-12	-10	-	-43	-37	-33	-	-43	-37	-33	
HS00DIS024M12SC9	1000	-	-1.0	-	-18	-14	-13	-12	-10	-	-43	-37	-33	-	-43	-37	-33	
HS00DIS024M12SCB	1000	-	-1.0	-	-18	-14	-13	-12	-10	-	-43	-37	-33	-	-42	-35	-32	
HS00DIS024M12SCC	1000	-	-1.0	-	-18	-14	-13	-12	-10	-	-43	-37	-33	-	-42	-35	-32	
HS00DIS024M12SCD	1000	-	-1.0	-	-18	-14	-13	-12	-10	-	-43	-37	-33	-	-42	-35	-32	
HS00DIS024M12SCF	1000	-	-1.0	-	-18	-14	-13	-12	-10	-	-43	-37	-33	-	-42	-35	-32	
HS00DIS024M12SCG	1000	-	-1.0	-	-16	-16	-16	-12	-10	-	-43	-37	-33	-	-45	-40	-35	
HS00DIS024M14SC5	1000	-	-1.0	-	-18	-	-	-14	-12	-10	-	-43	-37	-33	-	-45	-40	-35

- Operating temperature range 0 • 70 •
- Storage temperature range • 25 • 105 •
- Electrical Specification @25 • Humidity 65% RH

Part Number	Speed Rated	Insertion Loss dB(Max)	Return Loss dB(Min)						DC Current Rating (Max)	DMCR dB(Min)				Crosstalk dB(Min)			
			1~100	1~30	40	50	60	80		100	30	50	60	100	30	60	100
	Base-T	MHz															
HS00DIS024M12SC1	1000	-1.0	-18	-14	-13	-12	-10		-43	-	-37	-33	-43	-37	-33		
HS00DIS024M12SC7	1000	-1.0	-18	-14	-13	-12	-10		-43	-	-37	-33	-43	-37	-33		
HS00DIS024M14SC1	1000	-1.0	-18	-	-	-14	-12	-10	720mA DC at 57V	-43	-	-37	-33	-45	-40	-35	
HS00DIS024M14SC2	1000	-1.0	-18	-	-	-14	-12	-10	720mA DC at 57V	-43	-	-37	-33	-45	-40	-35	
HS00DIS024M14SC3	1000	-1.0	-18	-14.4	-13.1	-12	-10	720mA DC at 57V	-43	-	-37	-33	-45	-40	-35		
HS00DIS024M14SC4	1000	-1.0	-18	-	-	-14	-12	-10	720mA DC at 57V	-43	-	-37	-33	-45	-40	-35	
HS00DIS024M14SC6	1000	-1.0	-18	-	-	-14	-12	-10	720mA DC at 57V	-43	-	-37	-33	-45	-40	-35	
HS00DIS024M14SC8	1000	-1.0	-18	-	-	-14	-12	-10	720mA DC at 57V	-43	-	-37	-33	-45	-40	-35	

- Operating temperature range -40 • 85 •
- Storage temperature range • 25 • 105 •
- Electrical Specification @25 • Humidity 65% RH

Please be sure to request approval specifications that provide further details of the products. Kindly note that the content of these specifications are subject to change or may be discontinued without prior notice. This product may not be designed/used in medical or high risk applications without Shinhom approval. Please contact our sales department before ordering.

## Electrical Characteristics

## Inductance @ Phy side (OCL)

100kHz, 0.1V, DC Bias 180uH Min

Part Number	Turns Ratio	Hipot Phy To Cable
	3%	
HS00DIS024M1xSCx	1:1	1500Vac, 60s

Part Number	Speed Rated	Insertion Loss dB(Max)			Return Loss dB(Min)		DC Current Rating (Max)	DMCR dB(Min)	Crosstalk dB(Min)	
		1~50	50~125	125~200	1~40	40~200			1~150	150~200
	Base-T	MHz								
HS00DIS024M1ASC2	2.5G	-0.5	-1.0	-1.5	-20	-20+12.5*log <sub>10</sub> (f/40)	720mA DC at 57V	-45+f/35	-30	-20

•• Operating temperature range 0 •• 70 ••

•• Storage temperature range 25 •• 105 ••

•• Electrical Specification @25 •• Humidity 65% RH

Part Number	Speed Rated	Insertion Loss dB(Max)						Return Loss dB(Min)				
		1~50	50~125	125~200	125~250	1~100	100~400	400~500	1~40	40~200	250	500
	Base-T	MHz										
HS00DIS024M1ASC1	2.5G	-0.5	-1.0	-1.5	-	-	-	-	-20	-20+12.5*log <sub>10</sub> (f/40)	-	-
HS00DIS024M1ASC3	2.5G	-0.5	-1.0	-1.5	-	-	-	-	-20	-20+12.5*log <sub>10</sub> (f/40)	-	-
HS00DIS024M1ASC4	2.5G	-0.5	-1.0	-1.5	-	-	-	-	-20	-20+12.5*log <sub>10</sub> (f/40)	-	-
HS00DIS024M1CSC1	5G	-0.5	-1.0	-	1.5	-	-	-	-20	-20+12.5*log <sub>10</sub> (f/40)	-	-
HS00DIS024M1DSC1	5G	-0.5	-1.0	-	1.5	-	-	-	-20	-20+12.5*log <sub>10</sub> (f/40)	-	-
HS00DIS024M1GSC1	10G	-	-	-	-	-1.0	-1.5	-1.8	-20	-20+10*log(f/40)	-	-
HS00DIS024M1HSC1	10G	-	-	-	-	-1.0	-1.5	-1.8	-20	-20+10*log(f/40)	-	-

Part Number	Speed Rated	DC Current Rating (Max)	DMCR dB(Min)				Crosstalk dB(Min)					
			1~100	1~200	1~250	100~300	300~500	1~150	150~200	150~250	150~500	
	Base-T	MHz										
HS00DIS024M1ASC1	2.5G	720mA DC at 57V	-45+f/35	-	-	-	-	-30	-20	-	-	
HS00DIS024M1ASC3	2.5G	720mA DC at 57V	-45+f/35	-	-	-	-	-30	-20	-	-	
HS00DIS024M1ASC4	2.5G	420mA DC at 57V	-45+f/35	-	-	-	-	-30	-20	-	-	
HS00DIS024M1CSC1	5G	-	-(45-20*log <sub>10</sub> (f/50))				-	-	-30	-	-20	-
HS00DIS024M1DSC1	5G	720mA DC at 57V	-45+f/35				-	-	-30	-	-20	-
HS00DIS024M1GSC1	10G	-	-40	-	-	-30	-25	-30	-	-	-20	
HS00DIS024M1HSC1	10G	720mA DC at 57V	-40	-	-	-30	-25	-30	-	-	-20	

•• Operating temperature range -40 •• 85 ••

•• Storage temperature range 25 •• 105 ••

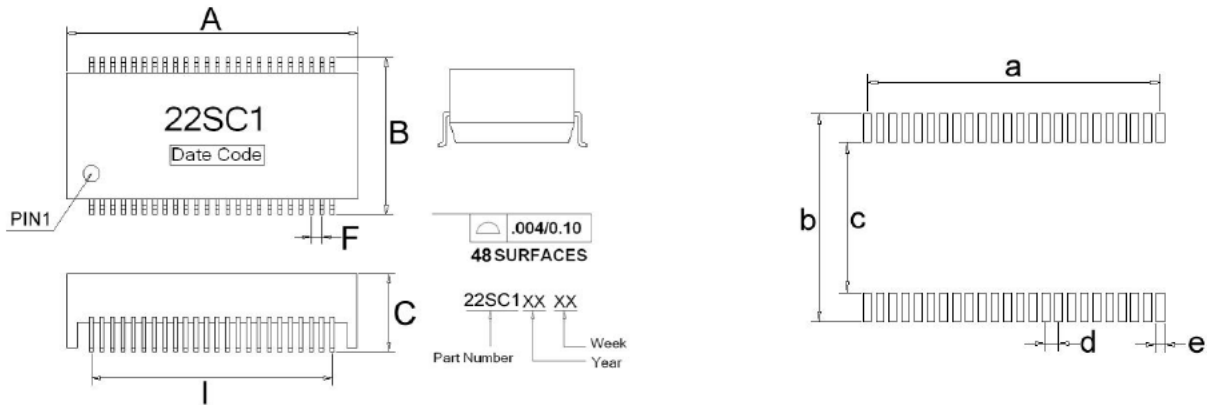
•• Electrical Specification @25 •• Humidity 65% RH

Please be sure to request approval specifications that provide further details of the products. Kindly note that the content of these specifications are subject to change or may be discontinued without prior notice. This product may not be designed/used in medical or high risk applications without Shinhom approval. Please contact our sales department before ordering.

**Mechanical Dimension**

**Suggested Land Pattern**

48Pins



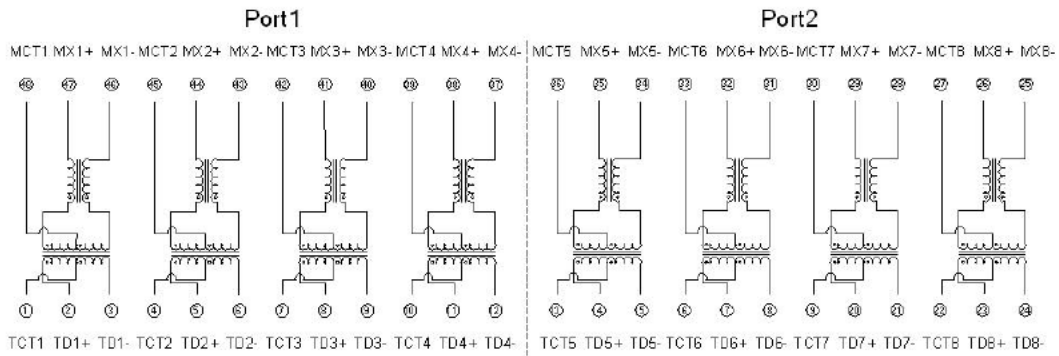
Dimensions in mm

TYPE	A	B	C	F	I	a	b	c	d	e
HS00DIS048M22SCx	27.8±0.51	15.2±0.25	7.25±0.25	1.02±0.25	23.46±0.25	23.46	15.9	12.5	1.02	0.64

**Schematics**

**HS00DIS048M22SC1-3**

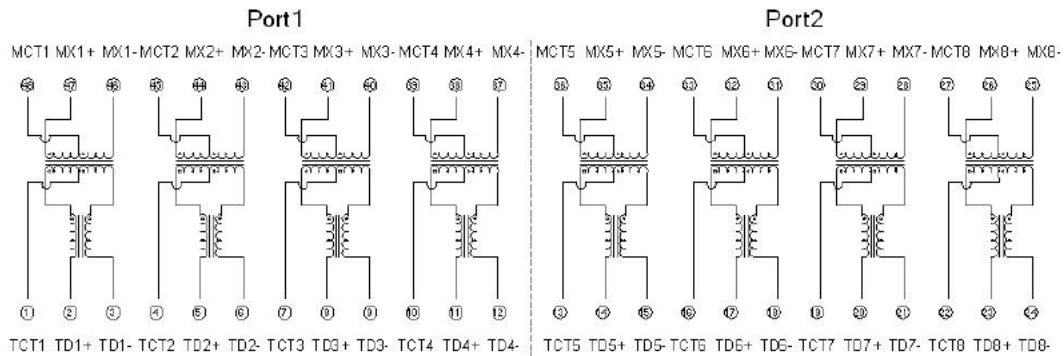
CABLE SIDE



PHY SIDE

**HS00DIS048M22SC4**

CABLE SIDE

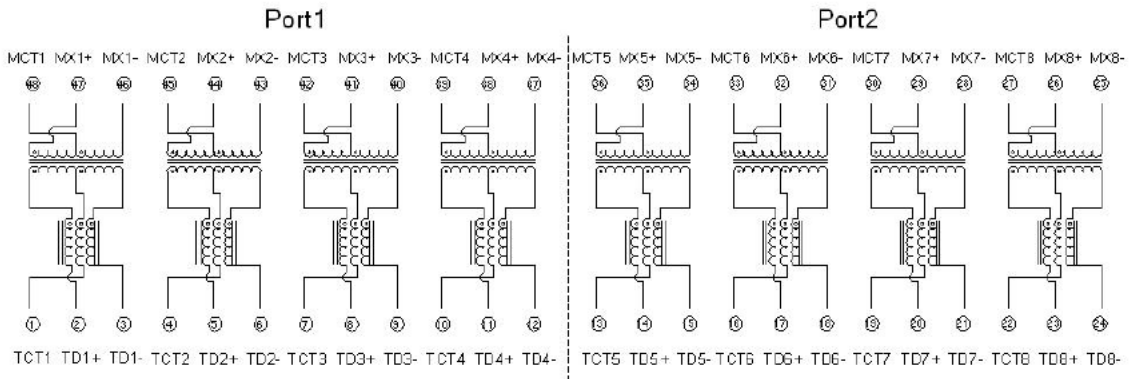


PHY SIDE



HS00DIS048M22SC6-7

CABLE SIDE



PHY SIDE

**Electrical Characteristics****Inductance @ Phy side (OCL)****100kHz, 0.1V, 8mA DC Bias 350uH Min**

Part Number	Turns Ratio	Hipot Vrms, Sec Pri To Sec
	3%	
HS00DIS048M22SCx	1:1	1500, 60

Part Number	Speed Rated	Insertion Loss dB(Max)	Return Loss dB(Min)						DMCR dB(Min)			Crosstalk dB(Min)			
	Base-T		1~100	1~30	40	50	60	80	100	30	60	100	30	60	100
MHz															
HS00DIS048M22SC2	1000	-1.1	-20	-14.4	-13.1	-12	-10	-45	-40	-35	-40	-35	-33		
HS00DIS048M22SC3	1000	-1.0	-18	-14.4	-13.1	-12	-10	-45	-40	-35	-40	-35	-33		
HS00DIS048M22SC4	1000	-1.0	-18	-14.4	-13.1	-12	-10	-43	-37	-33	-40	-35	-33		
HS00DIS048M22SC6	1000	-1.1	-20	-	-	-14	-12	-10	-42	-37	-32	-45	-40	-35	

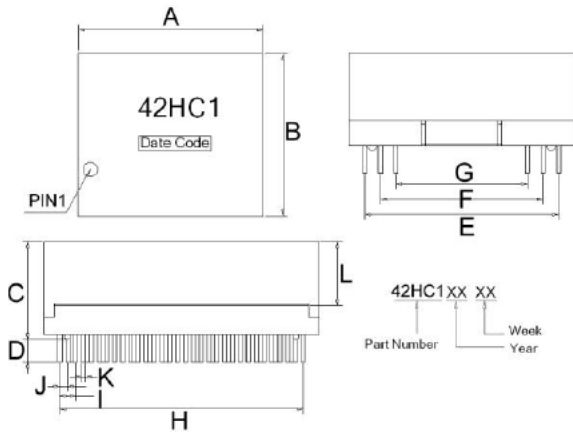
- Operating temperature range 0 • 70 •
- Storage temperature range 25 • 105 •
- Electrical Specification @25 • Humidity 65% RH

Part Number	Speed Rated	Insertion Loss dB(Max)	Return Loss dB(Min)						DC Current Rating (Max)	DMCR dB(Min)			Crosstalk dB(Min)		
	Base-T		1~100	1~30	40	50	60	80		100	30	60	100	30	60
MHz															
HS00DIS048M22SC1	1000	-1.0	-18	-14.4	-13.1	-12	-10	-	-45	-40	-35	-40	-35	-33	
HS00DIS048M22SC7	1000	-1.1	-20	-	-	-14	-12	-10	420mA DC at 57V	-42	-37	-32	-45	-40	-35

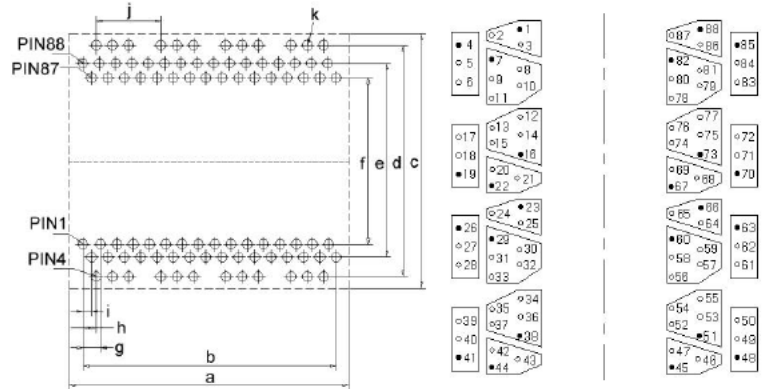
- Operating temperature range -40 • 85 •
- Storage temperature range 25 • 105 •
- Electrical Specification @25 • Humidity 65% RH

**Mechanical Dimension**

**Suggested Land Pattern**



**88Pins**

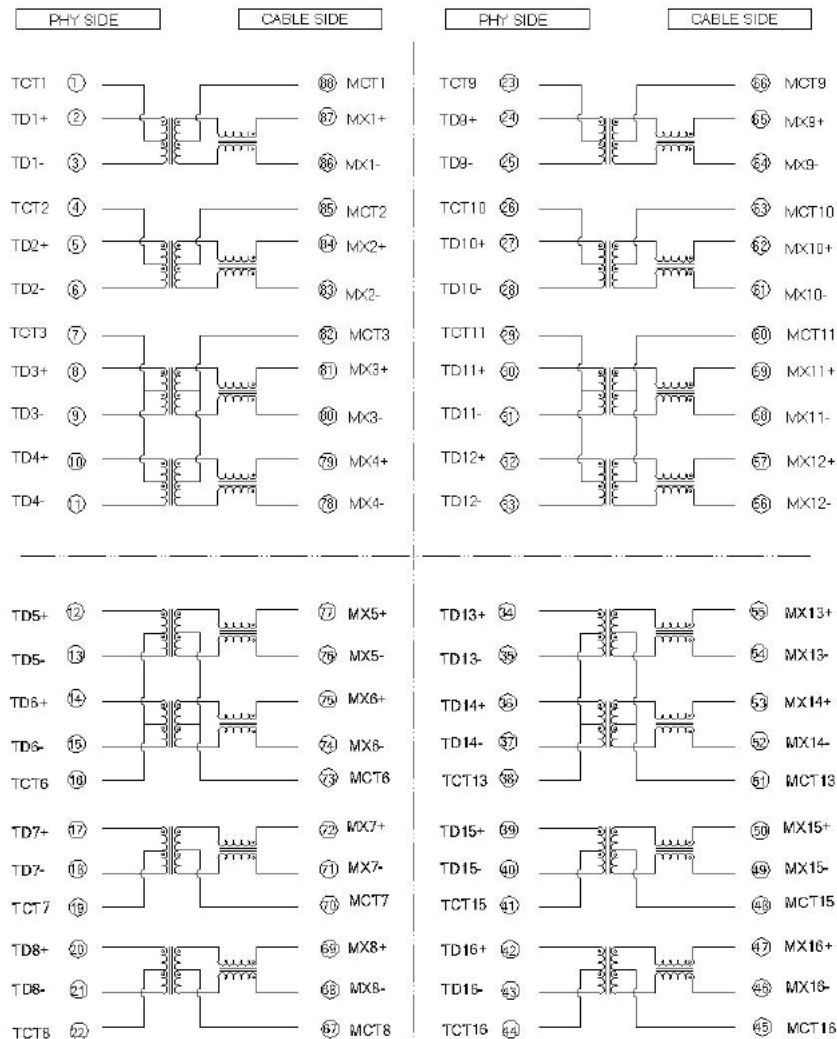


Dimensions in mm

TYPE	A	B	C	D	E	F	G	H	I	J	K	L
HS00DIS088M4xHCx	29.1	26.5	13.0	2.8	24.1	19.5	15.5	25.58	1.65	0.825	• 0.4	12.5
	±0.25	±0.25	±0.25	±0.25	±0.25	±0.25	•0.25	•0.25	•0.25	•0.05		±0.25
	a	b	c	d	e	f	g	h	i	j	k	
	29.1	25.58	26.5	24.1	19.5	15.5	1.65	1.238	0.825	6.6	• 0.9	

**Schematics**

**HS00DIS088M4xHCx**



## Electrical Characteristics

## Inductance @ Phy side (OCL)

100kHz, 0.1V, 8mA DC Bias 350uH Min

Part Number	Turns Ratio 100kHz		Hipot Vrms, Sec Phy To Cable
	TX	RX	
HS00DIS088M4xHC1	1:1•5%		1500, 60

Part Number	Speed Rated	Insertion Loss dB(Max)	Return Loss dB(Min)					DMCR dB(Min)			Crosstalk dB(Min)		
			1~100	1~30	40	50	60~80	100	30	50	100	30	60
	Base-T		MHz										
HS00DIS088M42HC1	1000	-1.0	-18	-16	-14.08	-12.5	-10	-43	-37	-33	-40	-35	-30
HS00DIS088M44HC1	1000	-1.0	-18	-16	-14.08	-12.5	-10	-43	-37	-33	-40	-35	-30

Part Number	Speed Rated	DC Resistance (mΩ)Max	DC Current Rating
HS00DIS088M42HC1	1000	-	-
HS00DIS088M44HC1	1000	1200	720mA DC at 57V

- Operating temperature range -40 • 85 •
- Storage temperature range • 25 • 105 •
- Electrical Specification @25 • Humidity 65% RH

## Electrical Characteristics

## Inductance @ Phy side (OCL)

100kHz, 0.1V, 10.8mA DC Bias 150uH Min

Part Number	Turns Ratio 100kHz	Hipot Vrms, Sec Phy To Cable
	•2%	
HS00DIS088M4xHCx	1:1	1500, 60

Part Number	Speed Rated	Insertion Loss dB(Max)			Return Loss dB(Min)		DMCR dB(Min)	CMRR dB(Min)	Crosstalk dB(Min)	
	Base-T	1~50	50~125	125~200	1~40	40~200	1~200	1~200	1~150	150~200
MHz										
HS00DIS088M47HC1	2.5G	-0.5	-1.0	-1.5	-20	$-20+12.5*\log_{10}(f/40)$	-45+f/35	-30	-30	-20

•• Operating temperature range 0 •• 70 ••

•• Storage temperature range 25 •• 105 ••

•• Electrical Specification @25 •• Humidity 65% RH

Part Number	Speed Rated	Insertion Loss dB(Max)			Return Loss dB(Min)		DMCR dB(Min)	CMRR dB(Min)	Crosstalk dB(Min)	
	Base-T	1~50	50~125	125~200	1~40	40~200	1~200	1~200	1~150	150~200
MHz										
HS00DIS088M47HC2	2.5G	-0.5	-1.0	-1.5	-20	$-20+12.5*\log_{10}(f/40)$	-45+f/35	-30	-30	-20
HS00DIS088M4AHC1	2.5G	-0.5	-1.0	-1.5	-20	$-20+12.5*\log_{10}(f/40)$	-45+f/35	-30	-30	-20
HS00DIS088M4AHC2	2.5G	-0.5	-1.0	-1.5	-20	$-20+12.5*\log_{10}(f/40)$	-45+f/35	-30	-30	-20

Part Number	Speed Rated	DC Current Rating
	Base-T	(Max)
HS00DIS088M47HC2	2.5G	-
HS00DIS088M4AHC1	2.5G	420mA DC at 57V
HS00DIS088M4AHC2	2.5G	420mA DC at 57V

•• Operating temperature range -40 •• 85 ••

•• Storage temperature range 25 •• 105 ••

•• Electrical Specification @25 •• Humidity 65% RH