

### Best Microload Switch w/Wide Variety of Actuator Models.

- Various basic models for Microload Switch.
- A wide variety of actuator for selection.
- Electric shock protection class.
- A large switching capacity of 15A with high repeat accuracy.
- A wide range of operating speed is available.

### Characteristics

Degree of protection		IP00
Durability	Mechanical	20,000,000 operations min.
	Electrical	500,000 operations min.
Operating Speed		0.01mm-1m/s
Operating Frequency	Mechanical	240 operations /min.
	Electrical	20 operations /min.
Rated Frequency		50/60Hz
Insulation Resistance		100M $\Omega$ min. (at 500 VDC)
Contact Resistance		15m $\Omega$ max. (initial value)
Dielectric Strength	Between terminals of same polarity	AC1,000V 50/60Hz 1min
	Between current-carrying metal parts and ground	AC2,000V 50/60Hz 1min
	Between each terminal and non-current-carrying metal part	AC2,000V 50/60Hz 1min
Rated insulation voltage (Ui)		250VAC
Pollution degree (Application environment)		3 (EN60947 5 1)
Rated open thermal current(Ith)		15A
Degree of protection against electric shock		Class I
Vibration Resistance	Malfunction	10 55 Hz double amplitude 1.5 mm
Shock Resistance	Destruction	1,000m/s <sup>2</sup> max.
	Malfunction	300m/s <sup>2</sup> max.
Ambient operating temperature range		25~+80°C with no icing
Ambient operating humidity range		35~85%RH
Packing		10pcs /Box

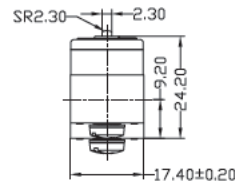
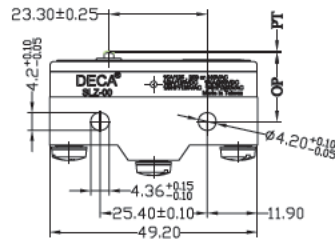
Note: 1. Above values of these characteristics are initial values. 2. Above values of these characteristics may be depending on different models. If any requirements, pls contact our sales representative. 3. Above durability is for an ambient temperature of 5 to 35° and ambient humidity of 40% to 70%. If any requirements, pls contact our sales representative.

SLZ-00

- Standard Pin Plunger



Weight: 28.60g



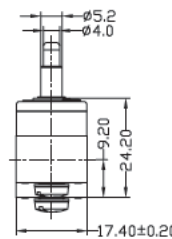
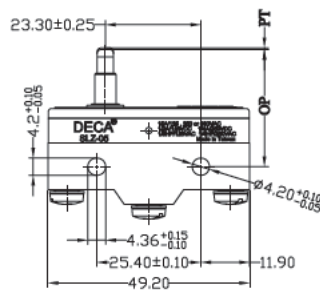
		SLZ-00
OF		2.45 ~ 3.43N
RF	MIN	1.12N
PT	MAX	0.4mm
OT	MIN	0.13mm
MD	MAX	0.05mm
OP		15.9 ± 0.4mm

SLZ-05

- Slim Spring Plunger



Weight: 30.60g



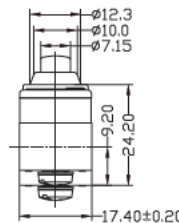
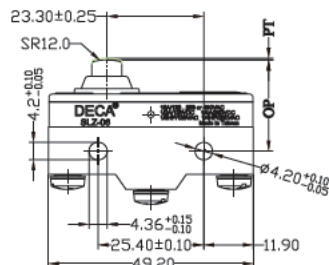
		SLZ-05
OF		2.45 ~ 3.43N
RF	MIN	1.12N
PT	MAX	0.4mm
OT	MIN	1.6mm
MD	MAX	0.05mm
OP		28.2 ± 0.5mm

SLZ-06

- Short Spring Plunger



Weight: 31.10g



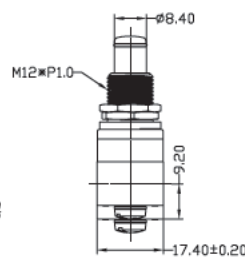
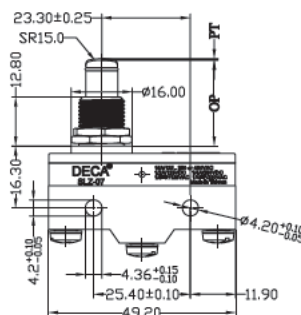
		SLZ-06
OF		2.45 ~ 3.43N
RF	MIN	1.12N
PT	MAX	0.4mm
OT	MIN	1.6mm
MD	MAX	0.05mm
OP		21.5 ± 0.5mm

SLZ-07

- Panel Mount Plunger



Weight: 42.70g



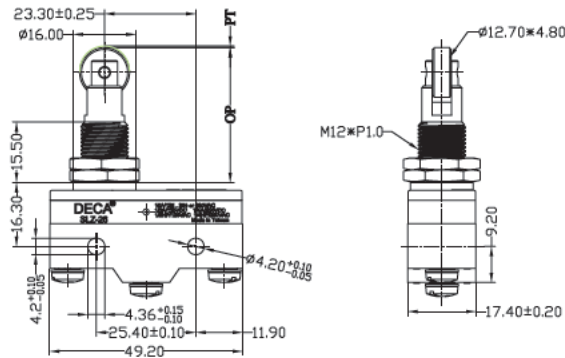
		SLZ-07
OF		2.45 ~ 3.43N
RF	MIN	1.12N
PT	MAX	0.4mm
OT	MIN	5.5mm
MD	MAX	0.05mm
OP		21.8 ± 0.8mm

## SLZ-26

●Panel Mount Roller Plunger



Weight: 54.00g



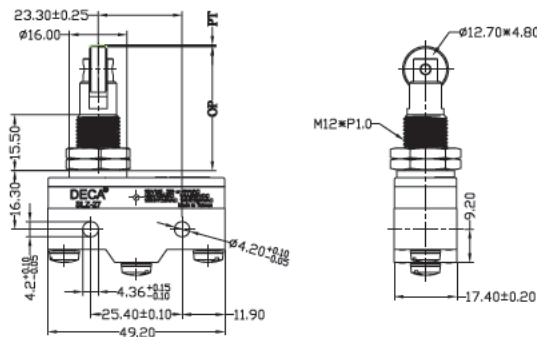
		SLZ-26
OF		2.45 ~ 3.43N
RF	MIN	1.12N
PT	MAX	0.4mm
OT	MIN	3.58mm
MD	MAX	0.05mm
OP		33.4 ± 1.2mm

## SLZ-27

●Panel Mount Cross Roller Plunger



Weight: 54.10g



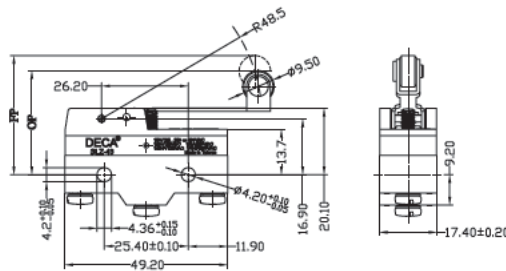
		SLZ-27
OF		2.45 ~ 3.43N
RF	MIN	1.12N
PT	MAX	0.4mm
OT	MIN	3.58mm
MD	MAX	0.05mm
OP		33.4 ± 1.2mm

## SLZ-43

●Horizontal Standard Roller Leaf Spring



Weight: 35.20g



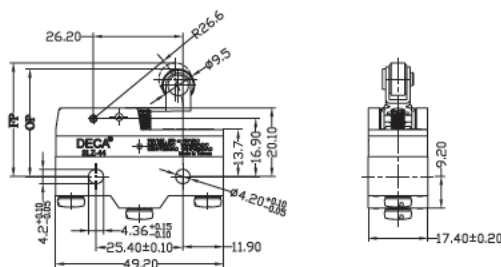
		SLZ-43
OF	MAX	2.35N
RF	MIN	0.55N
OT	MIN	4mm
MD	MAX	0.64mm
FP	MAX	35mm
OP		30.2 ± 0.8mm

## SLZ-44

●Roller Short Hinge Lever



Weight: 34.30g



		SLZ-44
OF	MAX	1.57N
RF	MIN	0.41N
OT	MIN	2.4mm
MD	MAX	0.5mm
FP	MAX	32.5mm
OP		30.2 ± 0.4mm

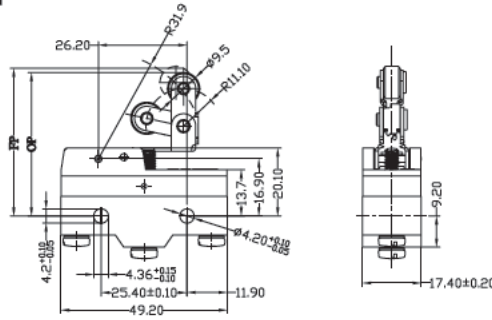
SLZ

SLZ-48

●Unidirectional Short Hinge Roller Lever



Weight: 36.90g



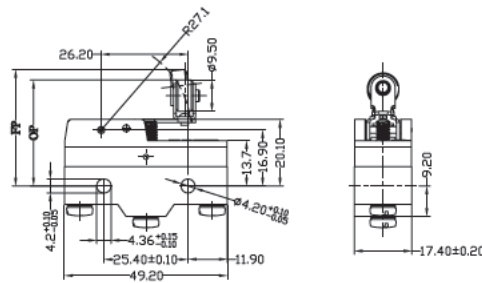
		SLZ-48
OF	MAX	1.67N
RF	MIN	0.41N
OT	MIN	2.4mm
MD	MAX	0.51mm
FP	MAX	43.6mm
OP		41.3±0.8mm

SLZ-49

●Hinge Cross Roller Lever



Weight: 35.10g



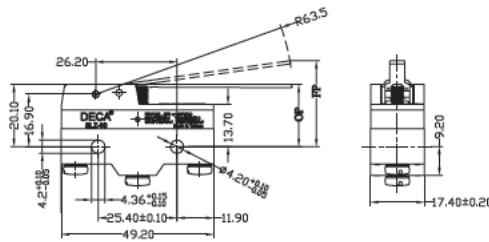
		SLZ-49
OF	MAX	1.67N
RF	MIN	0.41N
OT	MIN	2.4mm
MD	MAX	0.51mm
FP	MAX	33.3mm
OP		31±0.4mm

SLZ-60

●Standard Hinge Lever



Weight: 33.20g



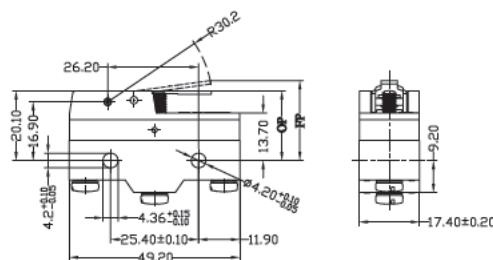
		SLZ-60
OF	MAX	0.69N
RF	MIN	0.14N
OT	MIN	5.6mm
MD	MAX	1.27mm
FP	MAX	28.2mm
OP		19±0.8mm

SLZ-61

●Short Hinge Lever



Weight: 32.10g



		SLZ-61
OF	MAX	1.57N
RF	MIN	0.27N
OT	MIN	2mm
MD	MAX	1mm
FP	MAX	24.8mm
OP		19±0.8mm

SLZ