

High-precision and Miniature Enclosed Switch

- High-precision and Miniature Enclosed Switch with Built-in Switches for Strong Durability of 10 Million Operations minimum and High -Repetition.
- Same mounting pitch as SLZ Basic Switch.
- Requires less operating force (OF) than general limit switches.
- UL, CUL, CCC & CE approved.

■ Operating Characteristics

Degree of protection		IP67
Durability	Mechanical	10,000,000 operations min.
	Electrical	500,000 operations min.
Operating Speed		0.05mm/s-0.5m/s
Operating Frequency	Mechanical	120 operations /min.
	Electrical	20 operations /min.
Rated Frequency		50/60Hz
Insulation Resistance		100MΩ min. (at 500 VDC)
Contact Resistance		15mΩ max. (initial value)
Dielectric Strength	Between terminals of same polarity	1,000VAC 50/60Hz for 1min
	Between current-carrying metal parts and ground	2,000VAC 50/60Hz for 1min
	Between each terminal and non-current-carrying metal part	2,000VAC 50/60Hz for 1min
Rated insulation voltage (Ui)		1000VAC
Pollution degree (Application environment)		3 (IEC947 5 1)
Short-circuit protective device		10A-fuse type gG (IEC 60269)
Rated open thermal current(I _{th})		10A
Degree of protection against electric shock		Class II
Vibration Resistance	Malfunction	10 55 Hz 1.5 mm double amplitude
Shock Resistance	Destruction	1,000m/s ² max.
	Malfunction	300m/s ² max.
Ambient operating temperature range		10~+80°C with no icing
Ambient operating humidity range		35%~95%RH
Packing		10pcs /Box

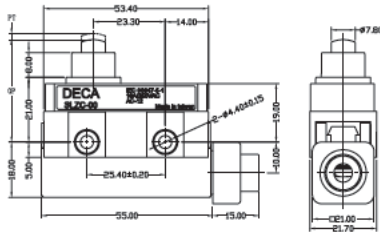
Note: 1. Above values of these characteristics are initial values. 2. Above values of these characteristics may be depending on different models. If any requirements, pls contact our sales representative. 3. Above durability is for an ambient temperature of 5 to 35°C and ambient humidity of 40% to 70%. If any requirements, pls contact our sales representative.

SLZC-00

●Plunger



Weight: 91.10g

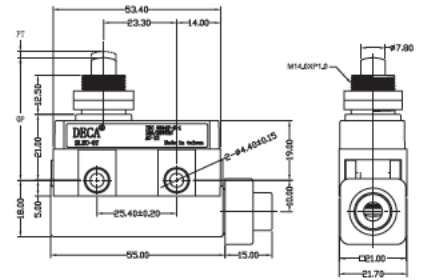


SLZC-07

●Panel Mount Plunger



Weight: 98.20g

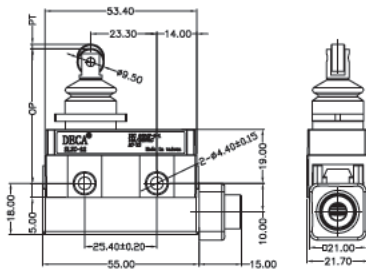


SLZC-22

●Sealed Roller Plunger



Weight: 98.20g

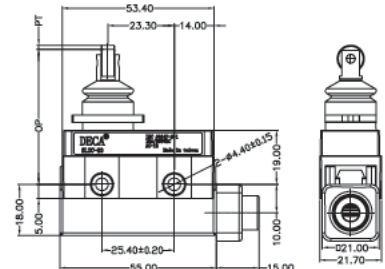


SLZC-23

●Sealed Crossroller Plunger



Weight: 97.70g

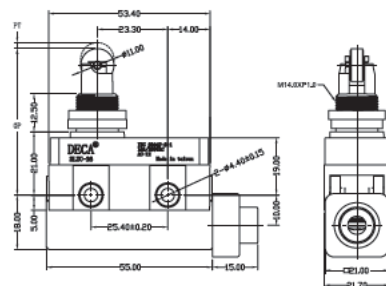


SLZC-26

●Panel Mount Roller Plunger



Weight: 104.40g

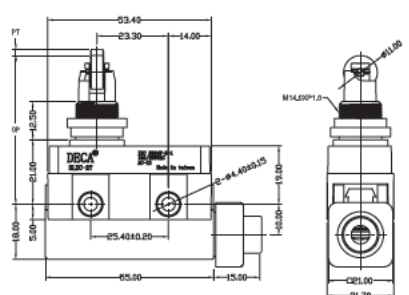


SLZC-27

●Panel Mount Crossroller Plunger



Weight: 104.50g

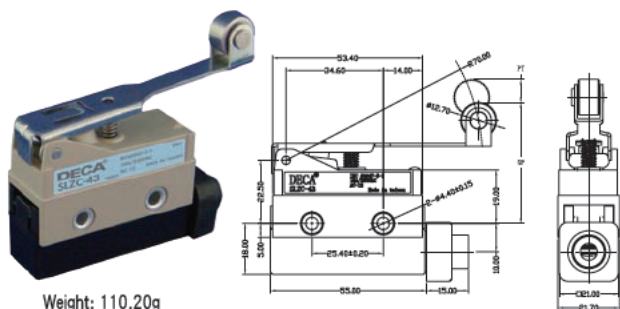


Operating Characteristics

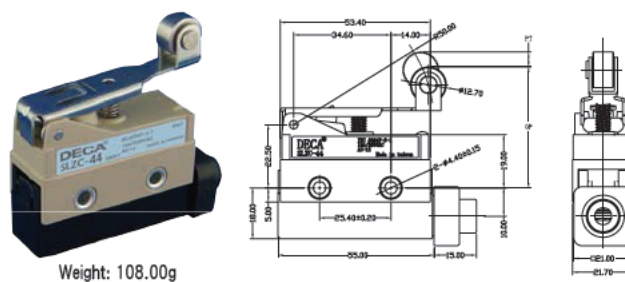
Operating Characteristics	Model	SLZC-00	SLZC-07	SLZC-22	SLZC-23	SLZC-26	SLZC-27
OF	OF	11 8N	11 8N	6 86N	6 86N	11 8N	11 8N
RF	RF	4 9N	4 9N	1 67N	1 67N	4 9N	4 9N
PT	PT	1 5mm	1 5mm	1 5mm	1 5mm	1 5mm	1 5mm
OT	OT	2 4mm	3mm	2 5mm	2 5mm	3mm	3mm
MD	MD	0 2mm	0 2mm	0 2mm	0 2mm	0 2mm	0 2mm
FP		--	--	--	--	--	--
OP		32 4 ± 0 8mm	38 2 ± 0 8mm	47 4 ± 0 8mm	47 4 ± 0 8mm	47 4 ± 0 8mm	47 4 ± 0 8mm

SLZC-43

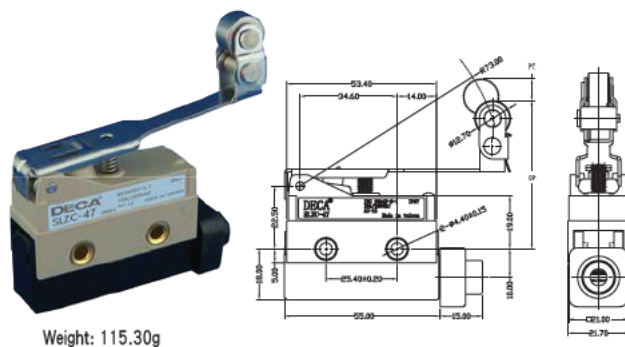
- Standard Hinge Roller Lever

**SLZC-44**

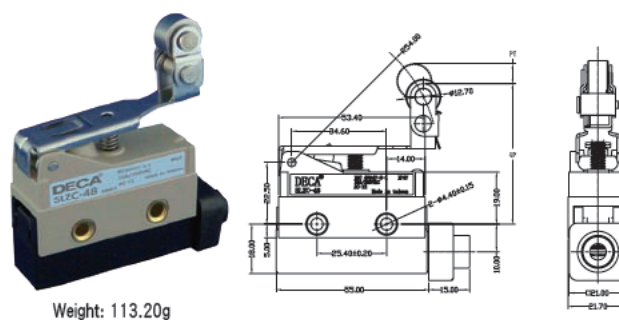
- Short Hinge Roller Lever

**SLZC-47**

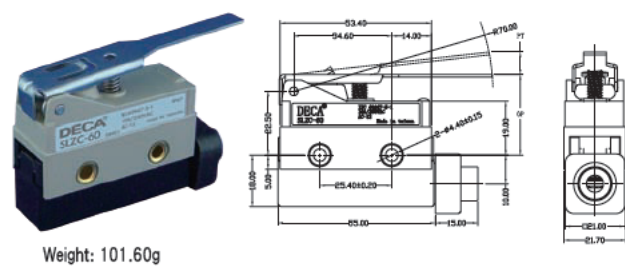
- One-way Action Hinge Roller Lever

**SLZC-48**

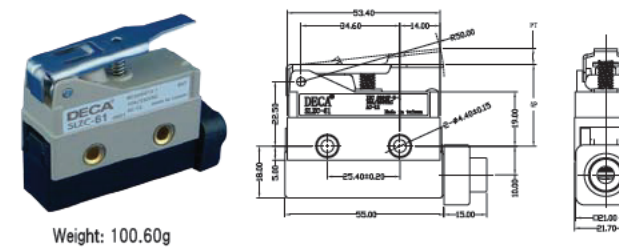
- One-way Action Short Hinge Roller Lever

**SLZC-60**

- Standard Hinge Lever

**SLZC-61**

- Short Hinge Lever

**Operating Characteristics**

O.Characteristics	Model	SLZC-43	SLZC-44	SLZC-47	SLZC-48	SLZC-60	SLZC-61
OF	OF	2 75N	3 92N	3 92N	2 75N	2 75N	3 92N
RF	RF	0 59N	0 78N	0 78N	0 59N	0 59N	0 78N
PT	PT	---	---	---	---	---	---
OT	OT	8 4mm	6mm	6mm	8 4mm	8 4mm	6mm
MD	MD	1 4mm	1mm	1mm	1 4mm	1 4mm	1mm
FP		51 3mm	49 2mm	59 2mm	61 2mm	36 7mm	34 7mm
OP		43 ± 1 2mm	43 ± 1 2mm	53 ± 1 2mm	53 ± 1 2mm	28 5 ± 1 2mm	28 5 ± 1 2mm