

Interchanging of switch heads succeeded by easy operation of forked metal latch

- Easily adjustable in 3 planes of switch head.
- Includes one integral connectors or replaces to other connector solution.
- Various contacts became one integral part of switch head to the SLMD series.
- 1/4 return is only required if remove the connection component of SLMD series.
- In relation to switch body all the switch heads could be adjusted in 15° steps throughout 360°.
- Including snap action and slow break contacts, with positive opening operations and interchangeable connection component.

Characteristics

Degree of protection		IP65 conforming to IEC60529 IK 04 conforming to EN50102
Conforming to standards	Products	IEC60947-5-1, EN60947-5-1, UL508, CSA C22-2 n° 14
	Machine assemblies	IEC60204-1, EN60204-1
Materials		plastic
Repeat accuracy		0.1mm on the tripping points, with 1 million operating cycles for head with end plunger
Product certifications		UL, CSA, CCC(pending)
Protective treatment		Standard "TC"
Vibration resistance		25 gn (10...500Hz)
Electric shock protection		Class II conforming to IEC61140 and NFC20030
Rated operational characteristics		~AC-15;A300(Ue 240 V, Ie 3A);1the 10A =DC-13;Q300(Ue 250 V, Ie 0.27A), conforming to IEC60947 5 1 Appendix A, EN60947 5 1
Rated insulation voltage (Ui)	2-pole contact	Ui 500 V degree of pollution 3 conforming to IEC60947 1 Ui 300 V vonforming to UL508, CSA C22-2 n° 14
Rated impulse withstand voltage	2-pole contact	U imp 6 kV conforming to IEC60947-1, IEC60664
Positive operation (Depending on model)		N/C contacts with positive opening operation conforming to IEC60947-5-1 Appendix K, EN60947-5-1
Electric shock protection		10 A cartridge fuse type gG(gl)
Ambient air temperature	Operation	-25~+70°C
	Storage	-40~+70°C
Packing		10pcs /Box

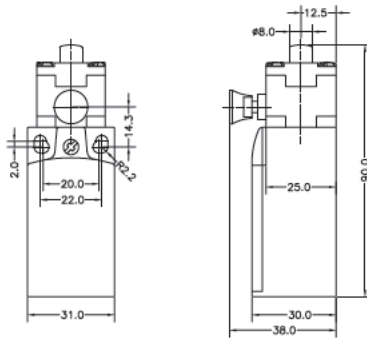
Note: 1. Above values of these characteristics are initial values. 2. Above values of these characteristics may be depending on different models. If any requirements, pls contact our sales representative. 3. Above durability is for an ambient temperature of 5 to 35° and ambient humidity of 40% to 70%. If any requirements, pls contact our sales representative.

SLNR-00

- Standard Pin Plunger



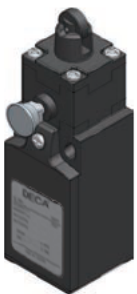
Weight: 80.00g



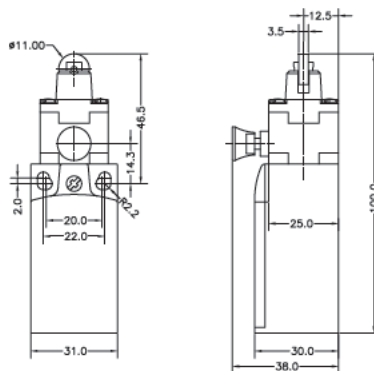
SLNR-00	
LF	10.8N
LT	4.5mm
PT1	2mm
OP (TT)	33.5 ± 0.5mm (6mm)
DOT	3.2mm
DOF	20N

SLNR-20

- Standard Roller Plunger



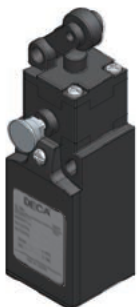
Weight: 81.50g



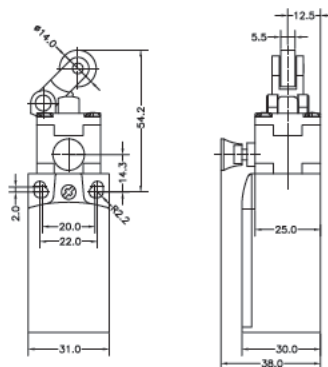
SLNR-20	
LF	10.8N
LT	4.5mm
PT1	2mm
OP (TT)	43.6 ± 0.5mm (6mm)
DOT	3.2mm
DOF	20N

SLNR-52

- Unidirectional Horizontal Action Hinge Roller Lever



Weight: 80.20g



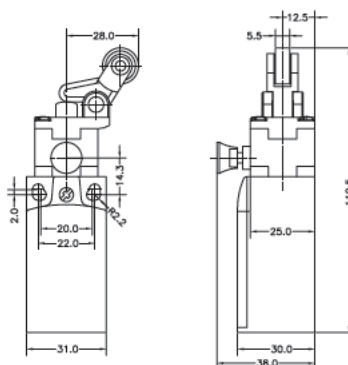
SLNR-52	
LF	7.5N
LT	7mm
PT1	4mm
OP (TT)	50.2 ± 0.8mm (9mm)
DOT	5.8mm
DOF	20N

SLNR-53

- Unidirectional Vertical Action Hinge Roller Lever



Weight: 80.10g



SLNR-53	
LF	7.9N
LT	7mm
PT1	4mm
OP (TT)	52 ± 0.8mm (9mm)
DOT	4.8mm
DOF	20N