

Interchanging of switch heads succeeded by easy operation of forked metal latch

- Easily adjustable in 3 planes of switch head.
- Includes one integral connectors or replaces to other connector solution.
- Various contacts became one integral part of switch head to the SLMD series.
- 1/4 return is only required if remove the connection component of SLMD series.
- In relation to switch body all the switch heads could be adjusted in 15° steps throughout 360°.
- Including snap action and slow break contacts, with positive opening operations and interchangeable connection component.

Characteristics

Degree of protection		IP66, IP67 and IP68 conforming to IEC60529 IK 06 conforming to EN50102
Conforming to standards	Products	IEC60947-5-1, EN60947-5-1, UL508, CSA C22-2 n° 14
	Machine assemblies	IEC60204-1, EN60204-1
Materials		Bodies and heads: Zamak ² zinc alloy
Repeat accuracy		0.05mm on the tripping points, with 1 million operating cycles for head with end plunger
Product certifications		UL, CCC, CSA (except products with special cables)
Protective treatment		Standard version: "TC"
Vibration resistance		XCMD snap action: 5gn. XCMD slow break: 25 gn (10..500Hz)
Electric shock protection		Class I conforming to IEC61-140 and NFC20-030
Rated operational characteristics	Switches with 2 contacts	~AC-15B300(Ue 240 V, Ie 1.5A) =DC-13R300(Ue 250 V, Ie 0.1A), conforming to IEC60947 5 1 Appendix A, EN60947 5 1
	Switches with 3 and 4 contacts	~AC-15B300(Ue 240 V, Ie 0.75A) =DC-13R300(Ue 250 V, Ie 0.1A), conforming to IEC60947 5 1 Appendix A, EN60947 5 1
	Pre-cabled switches	Ithe 6 A for 2 contacts, 4 A for 3 contacts, 3 A for 4 contacts
	Switches with 4-pin M12 connector	Ui 250 V, Ie 3 A maximum, Ithe 3 A
	Switches with 5-pin M12 connector	Ui 60 V, Ie 4 A maximum, Ithe 4 A
	Switches with 5-pin 7/8" 16UN connector	Ui 250 V, Ie 6 A maximum, Ithe 6a A
Rated insulation voltage (Ui)		Ui 400 V degree of pollution 3 conforming to IEC60947 5 1 Ui 300 V conforming to UL508, CSA C22-2 n° 14
Rated impulse withstand voltage		U imp 4 kV conforming to IEC60947-1, IEC60664
Positive operation (Depending on model)		N/C contacts with positive opening operation conforming to IEC60947-5-1 Appendix K, EN60947-5-1
Resistance across terminals		≤25mΩ conforming to IEC60255-7 category 3
Short-circuit protection		6 A cartridge fuse type gG(gl)
Minimum actuation speed		Snap action contact: 0.01 m/minute (0.03 ft/minute) Slow break contact: 6 m/minute (19.68 ft/minute)
Electrical durability		• conforming to IEC60947-5-1 Appendix C • Utilization categories AC-15 and DC-13 • Maximum operating rate: 3600 operating cycles/hour • Load factor: 0.5
Ambient air temperature	Operation	-25~+70°C (-13~+158°F).
	Storage	-40~+70°C (-40~+158°F).
Packing		10pcs /Box

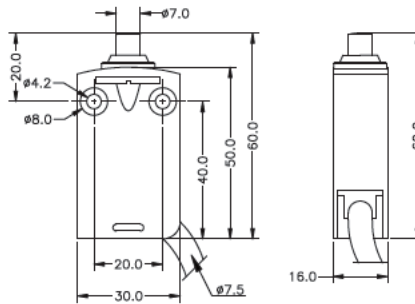
Note: 1. Above values of these characteristics are initial values. 2. Above values of these characteristics may be depending on different models. If any requirements, pls contact our sales representative. 3. Above durability is for an ambient temperature of 5 to 35° and ambient humidity of 40% to 70%. If any requirements, pls contact our sales representative.

SLMD-00

● Pin Plunger



Weight: 200.60g



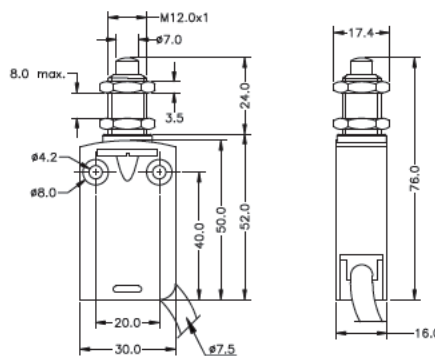
SLMD-00	
OF	12N
RF	1.5N
PT	MAX
OT	1mm(NG) 3.2mm
OP	19 ± 1mm
TT	(4.5mm)
DOT	1.8mm
DOF	20N

SLMD-07

● Short Spring Plunger



Weight: 211.50g



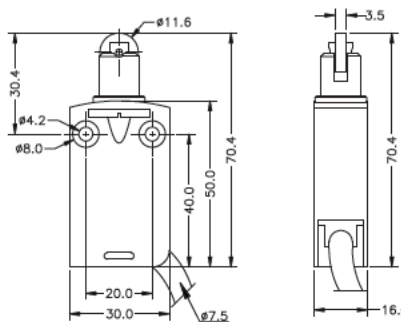
SLMD-07	
OF	12N
RF	1.5N
PT	MAX
OT	1mm(NG) 3.2mm
OP	23 ± 1mm
TT	(4.5mm)
DOT	1.8mm
DOF	20N

SLMD-20

● Slim Spring Plunger



Weight: 210.30g



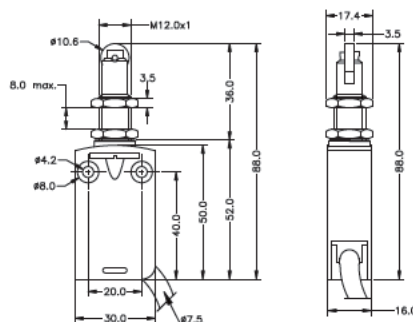
SLMD-20	
OF	12N
RF	1.5N
PT	MAX
OT	1mm(NG) 3.2mm
OP	29.4 ± 1mm
TT	(4.5mm)
DOT	1.8mm
DOF	20N

SLMD-26

● Panel Mount Plunger



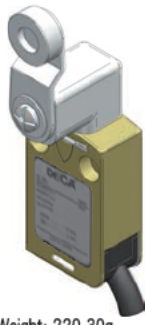
Weight: 218.90g



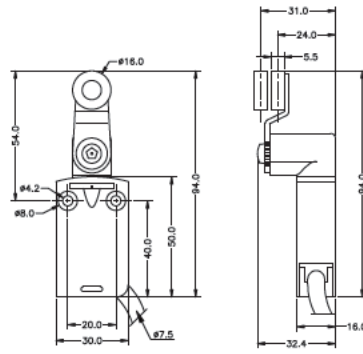
SLMD-26	
OF	12N
RF	1.5N
PT	MAX
OT	1mm(NG) 3.2mm
OP	35 ± 1mm
TT	(4.5mm)
DOT	1.8mm
DOF	20N

SLMD-40

- Vertical Standard Roller Lever



Weight: 220.30g



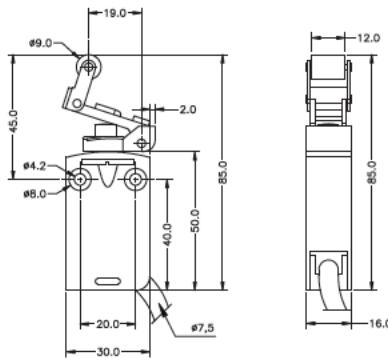
SLMD-40	
OF ₁ MAX	5N
RF ₂ MIN	0.5N
PT1 _(11-12 · 21-22)	$6 \pm 3^\circ$ (NG)
PT1 _(31-32 · 41-42)	$9 \pm 3^\circ$ (NG)
PT2 ₃	(12°)
OT MIN	40°
OP _(11-12 · 21-22)	—
OP _(31-32 · 41-42)	—
TT ₃	(55°)
DOT ₄ MIN	18°
DOF MIN	20N

SLMD-47

- Unidirectional Action Hinge Roller Lever



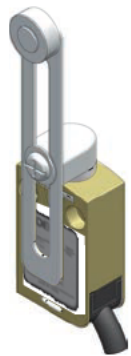
Weight: 220.60g



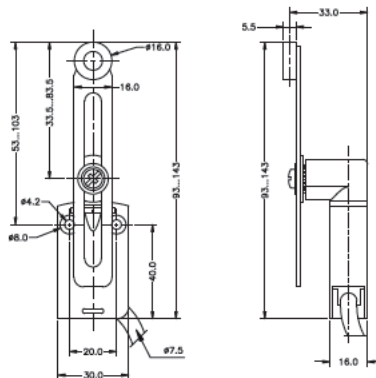
SLMD-47	
OF	5N
RF	0.8N
PT	4mm
OT	5mm
OP	41mm
TT	(9mm)
DOT	5.8mm
DOF	20N

SLMD-50

- Adjustable Roller Lever



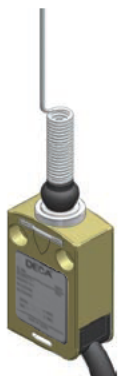
Weight: 225.40g



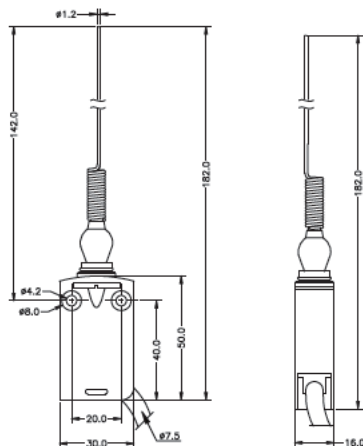
SLMD-50	
OF ₁ MAX	5N
RF ₂ MIN	0.5N
PT1 _(11-12 · 21-22)	$6 \pm 3^\circ$ (NG)
PT1 _(31-32 · 41-42)	$9 \pm 3^\circ$ (NG)
PT2 ₃	(12°)
OT	40°
OP _(11-12 · 21-22)	—
OP _(31-32 · 41-42)	—
TT ₃	(55°)
DOT ₄ MIN	18°
DOF MIN	20N

SLMD-82

- Non-directional Cat Whisker



Weight: 220.10g



SLMD-82	
OF	1.5N
RF	15°