

Vertical Models and Miniature Size for Asian Standards

- SL4V approximately 1/3 the size of typical vertical limit switches.
- Opened Structures to terminal section could be wiring easily.
- RoHS Compliant.
- Degree of protection : IP65

■ Characteristics

Degree of protection		IP65
Durability	Mechanical	10,000,000 operations min.
	Electrical	300,000 operations min. (5A at 250VAC, resistive load)
Operating Speed		5mm-0.5m/s
Operating Frequency	Mechanical	120 operations /min
	Electrical	30 operations /min
Rated Frequency		50/60Hz
Insulation Resistance		100M Ω min. (at 500VDC)
Contact Resistance		25m Ω max. (initial value)
Dielectric Strength	Between terminals of same polarity	1,000VAC 50/60Hz for 1min
	Between current-carrying metal parts and ground	1,500VAC 50/60Hz for 1min
Rated insulation voltage (Ui)		250V
Pollution degree (Application environment)		3 (EN60947 5 1)
Conditional short-circuit current		100A(EN60947-5-1)
Rated open thermal current(Ith)		5A(EN60947-5-1)
Electric shock protection class		Class I
Vibration Resistance	Malfuction	10 55 Hz 1.5 mm double amplitude
Shock Resistance	Destruction	1,000m/s ² (free position) min.
	Malfuction	300m/s ² (operation limit position) min.
Ambient operating temperature range		20~+60°C (with no icing)
Ambient operating humidity range		90%RH max.
Packing		5pcs /Box

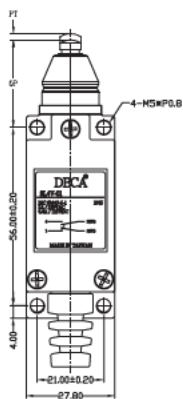
Note: 1. Above values of these characteristics are initial values. 2. Above values of these characteristics may be depending on different models. If any requirements, pls contact our sales representative. 3. Above durability is for an ambient temperature of 5 to 35°C and ambient humidity of 40% to 70%. If any requirements, pls contact our sales representative.

SL4V-01

● Sealed Push Plunger



Weight: 116.40g

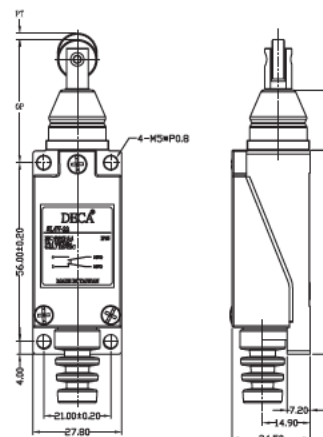


SL4V-22

● Sealed Roller Plunger



Weight: 121.70g

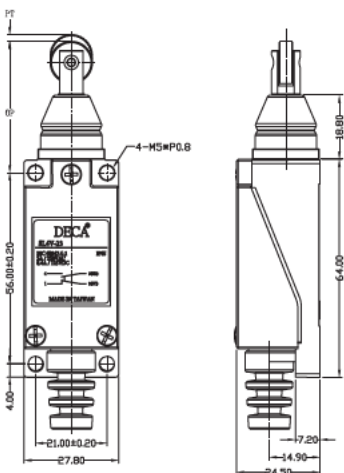


SL4V-23

● Sealed Crossroller Plunger



Weight: 122.00g

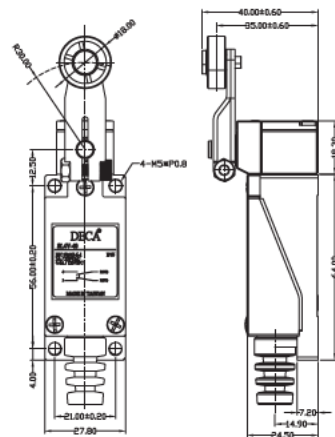


SL4V-40

● Standard Roller Lever



Weight: 147.40g



Operating Characteristics

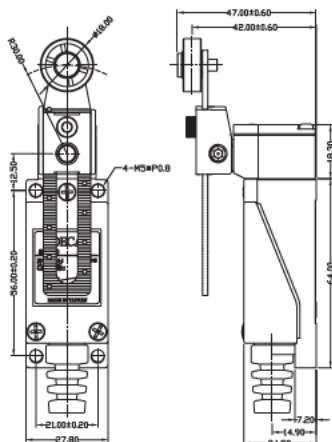
O.Characteristics		Model	SL4V-01	SL4V-22	SL4V-23	SL4V-40
OF	MAX		9.8N	9.8N	9.8N	5.88N
RF	MIN		2.94N	2.94N	2.94N	0.49N
PT	MAX		1.5mm	1.5mm	1.5mm	20°
OT	MIN		4mm	4mm	4mm	75°
MD	MAX		1.2mm	1.2mm	1.2mm	10°
TTP	MIN		5.5mm	5.5mm	5.5mm	95°
OP			26 ± 0.8mm	37 ± 0.8mm	37 ± 0.8mm	---

SL4V-50

●Adjustable Roller Lever



Weight: 120.50g

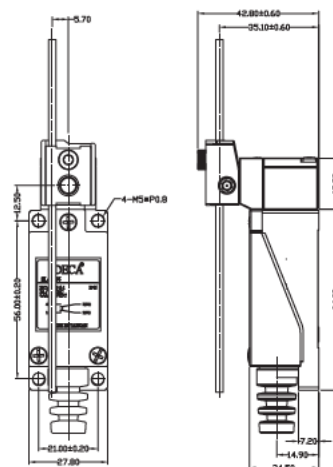


SL4V-66

●Adjustable Rod Lever



Weight: 158.80g

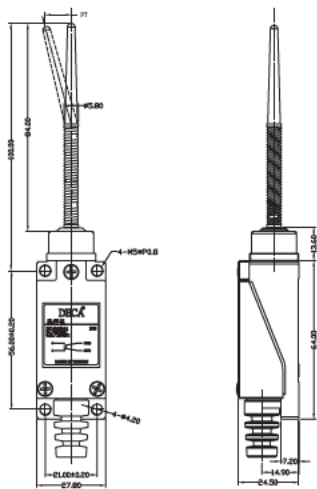


SL4V-81

●Omnidirectional Coil Spring



Weight: 114.00g

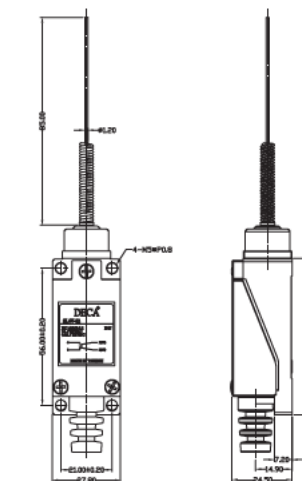


SL4V-82

●Omnidirectional Wire Spring



Weight: 112.50g



Operating Characteristics

		Model	SL4V-50	SL4V-66	SL4V-81	SL4V-82
O.Characteristics	OF	MAX	7.84N	5.88N	0.88N	0.88N
	RF	MIN	0.49N	0.69N	---	---
	PT	MAX	20°	20°	30mm	30mm
	OT	MIN	75°	75°	---	---
	MD	MAX	10°	10°	---	---
	TTP	MIN	95°	95°	---	---
	OP		---	---	---	---