

Multi-contact, Labor-saving, New-generation, Miniature Safety Limit Switch

- Multiple contact models: 1NC/1NO, and 2NC.
- Applicable to both standard loads and microload.

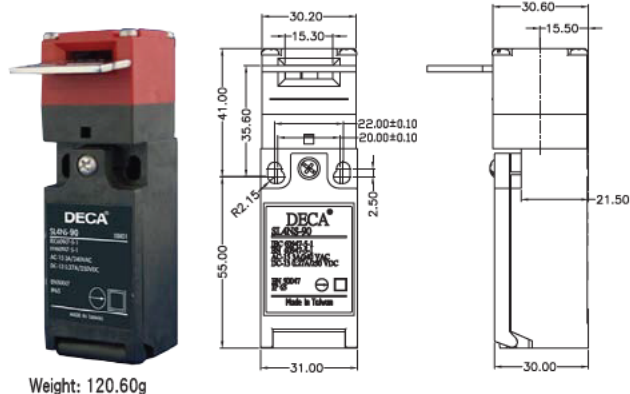
■ Operating Characteristics

Degree of protection		IP67
Durability	Mechanical	1,000,000 operations min.
	Electrical	500,000 operations min. (3A resistive load at 250 VAC) 300,000 operations min. (10A resistive load at 250 VAC)
Operating Speed		0.05 to 0.5 m/s
Operating Frequency	Mechanical	30 operations/minute max.
	Electrical	
Rated Frequency		50/60Hz
Insulation Resistance		100MΩ min.
Contact Resistance		25mΩ max.
Dielectric Strength	Between terminals of same polarity	2.5KV
	Between terminals of different polarity	4kV
	Between each terminal and non-current-carrying metal part	6kV
Rated insulation voltage (Ui)		300V
Pollution degree (Application environment)		3 (EN60947-5-1)
Conditional short-circuit current		100A(EN60947-5-1)
Conventional free air thermal current (Ith)		10A(EN60947-5-1)
Degree of protection against electric shock		Class II
Vibration Resistance	Malfunction	10 55 Hz 0.75 mm single amplitude
Shock Resistance	Destruction	1,000m/s ² min.
	Malfunction	300m/s ² min.
Ambient operating temperature range		30~+70°C with no icing
Ambient operating humidity range		95% max.
Packing		5pcs /Box

Note: 1. Above values of these characteristics are initial values. 2. Above values of these characteristics may be depending on different models. If any requirements, pls contact our sales representative. 3. Above durability is for an ambient temperature of 5 to 35°C and ambient humidity of 40% to 70%. If any requirements, pls contact our sales representative.

SL4NS-90

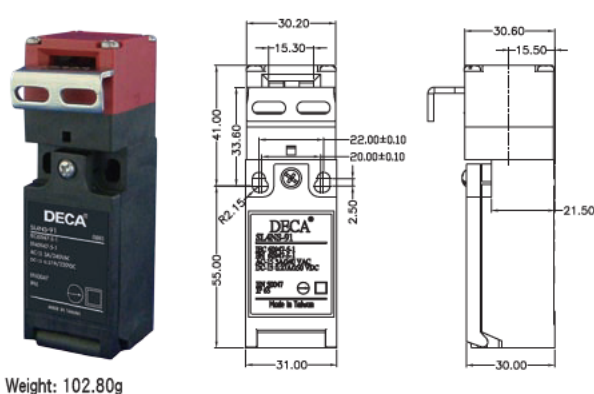
- With Front inserted Operation Key



Weight: 120.60g

SL4NS-91

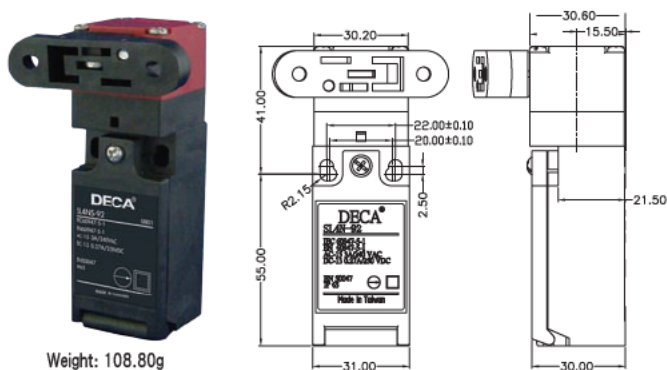
- With Front inserted Bending Operation Key



Weight: 102.80g

SL4NS-92

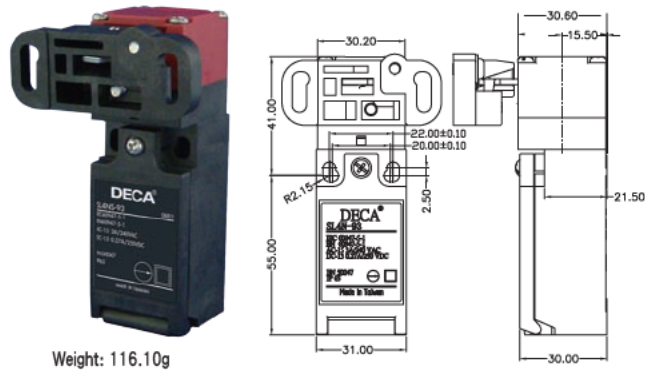
- With Adjustable Front inserted Operation Key in Horizontal Mount



Weight: 108.80g

SL4NS-93

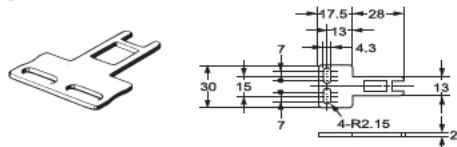
- With Adjustable Front inserted Operation Key in Horizontal and Vertical Mount



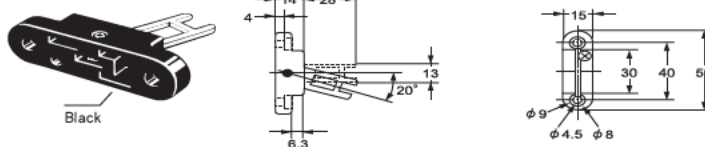
Weight: 116.10g

■ Operation Keypad

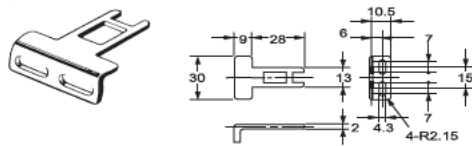
● SL4NS-K1



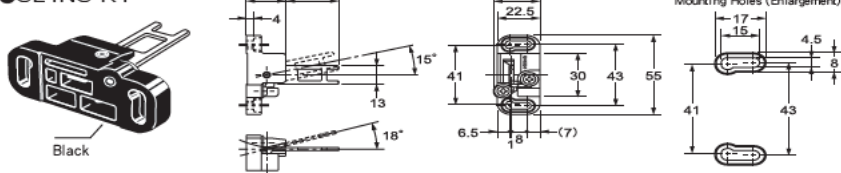
● SL4NS-K3



● SL4NS-K2



● SL4NS-K4



■ Operating Characteristics

Model		SL4NS-90	SL4NS91	SL4NS-92	SL4NS-93
O.Characteristics					
Key insertion force	MAX	15N	15N	15N	15N
Key extraction force	MAX	30N	30N	30N	30N
Pretravel (PT)		6±3mm	6±3mm	6±3mm	6±3mm
Total travel (TT)		(28mm)	(28mm)	(28mm)	(28mm)
Direct opening force	MIN	60N	60N	60N	60N
Direct opening stroke	MIN	10mm	10mm	10mm	10mm