

### Slim Enclosed Switch with High Sealed Function

- Improved the flat springs and lever ratio of the built in switch to ensure one longer life expectancy.
- Protection cover increased the function of dust proof and waterproof.
- New connector styles decreased the maintenance labors for wiring.
- Approved by EN, UL, CSA, and CCC.

#### Characteristics

Degree of protection		IP67
Durability	Mechanical	10,000,000 operations min.
	Electrical	500,000 operations min. for 5A 250VAC resistive load
Operating Speed		0.1mm/s-0.5m/s
Operating Frequency	Mechanical	120 operations (次) /min
	Electrical	30 operations (次) /min
Rated Frequency		50/60Hz
Insulation Resistance		100M $\Omega$ min. (at 500VDC)
Contact Resistance		15m $\Omega$ max. (initial value for the built in switch when tested alone)
Dielectric Strength	Between terminals of same polarity	1,000 VAC 50/60Hz for 1min
	Between each terminal and non-current-carrying metal part	1,500 VAC 50/60Hz for 1min/U <sub>imp</sub> at 2.5 KV(EN 60947-5-1)
Rated insulation voltage (U <sub>i</sub> )		250V
Pollution degree (Application environment)		3 (EN60947-5-1)
Short-circuit protective device (SCPD)		10 A fuse (type gG or gL, IEC60269 approved)
Conditional short-circuit current		100A (EN60947-5-1)
Conventional enclosed thermal current(I <sub>the</sub> )		5A (EN60947-5-1)
Electric shock protection class		Class II
Vibration Resistance	Malfunction	10 55 Hz 1.5 mm double amplitude
Shock Resistance	Destruction	1,000m/s <sup>2</sup> min.
	Malfunction	300m/s <sup>2</sup> min.
Ambient operating temperature range		10~+80°C with no icing
Ambient operating humidity range		35% ~ 95% RH
Packing		10pcs /Box

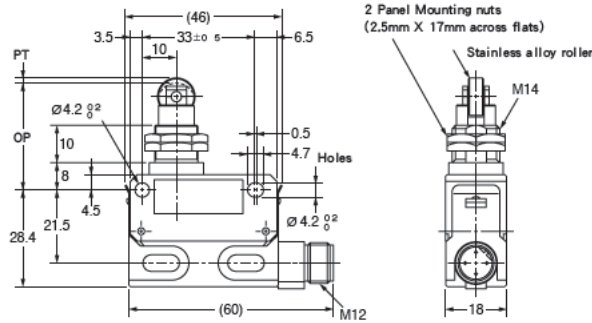
Note: 1. Above values of these characteristics are initial values. 2. Above values of these characteristics may be depending on different models. If any requirements, pls contact our sales representative. 3. Above durability is for an ambient temperature of 5 to 35°C and ambient humidity of 40% to 70%. If any requirements, pls contact our sales representative.

### SL4E-26

● Panel Mounting Roller Plunger



Weight: 86.70g



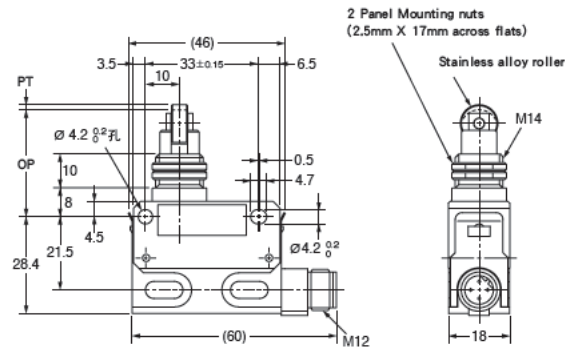
		SL4E 26
OF	MAX	11 77N
RF	MIN	4 90N
PT	MAX	1.5mm
OT	MIN	3mm
MD		(0.1mm)
OP		31.4 ± 0.8mm

### SL4E-27

● Panel Mounting Cross Roller Plunger



Weight: 86.70g



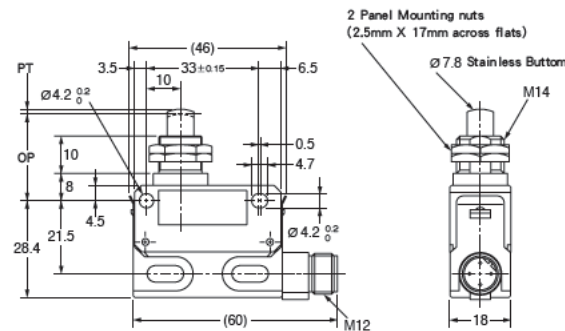
		SL4E 27
OF	MAX	11 77N
RF	MIN	4 90N
PT	MAX	1.5mm
OT	MIN	3mm
MD		(0.1mm)
OP		31.4 ± 0.8mm

### SL4E-07

● Panel Mounting Plunger



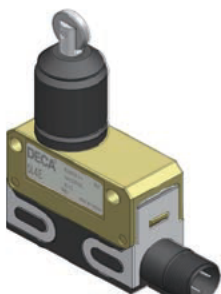
Weight: 86.40g



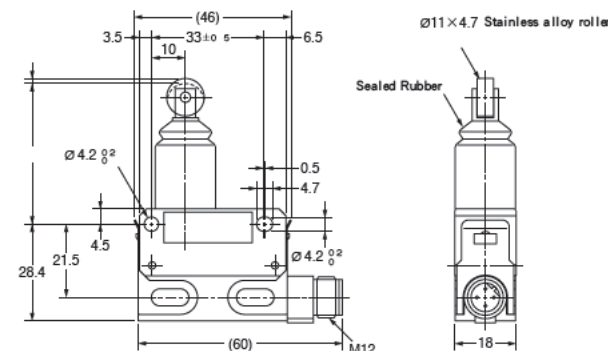
		SL4E 07
OF	MAX	11 77N
RF	MIN	4 90N
PT	MAX	1.5mm
OT	MIN	3mm
MD		(0.1mm)
OP		25.4 ± 0.8mm

### SL4E-22

● Sealed Roller Plunger



Weight: 86.90g



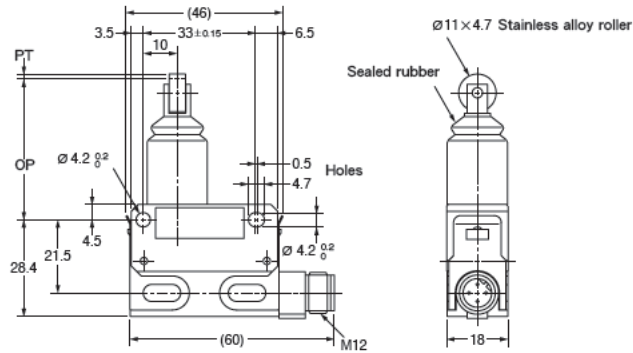
		SL4E 22
OF	MAX	11 77N
RF	MIN	4 90N
PT	MAX	1.5mm
OT	MIN	3mm
MD		(0.1mm)
OP		41.3 ± 0.8mm

### SL4E-23

- Sealed Corss Roller Plunger



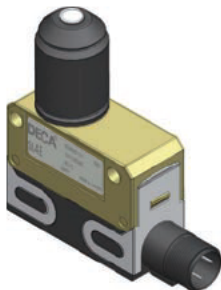
Weight: 86.90g



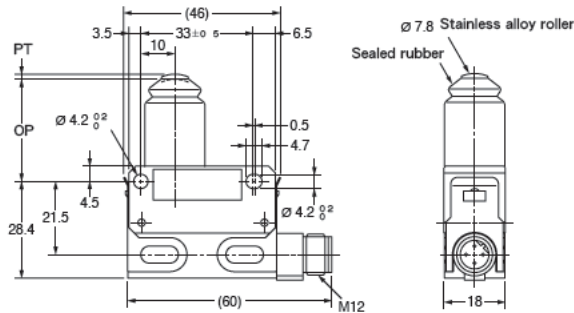
		SL4E-23
OF	MAX	11 77N
RF	MIN	4 90N
PT	MAX	1 5mm
OT	MIN	3mm
MD		(0 1mm)
OP		41 3 ± 0 8mm

### SL4E-01

- Sealed Plunger



Weight: 86.70g



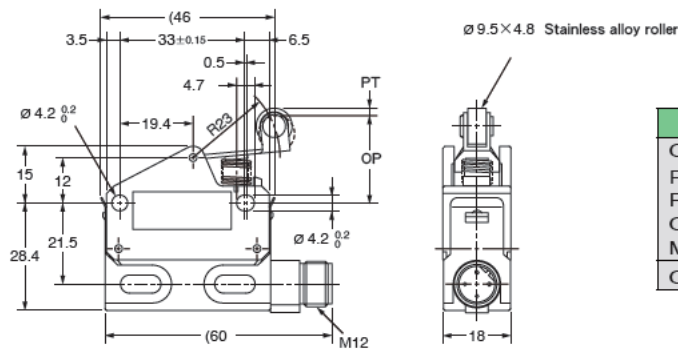
		SL4E-01
OF	MAX	11 77N
RF	MIN	4 90N
PT	MAX	1 5mm
OT	MIN	3mm
MD		(0 1mm)
OP		30 ± 0 8mm

### SL4E-44

- Short Roller Lever



Weight: 86.80g



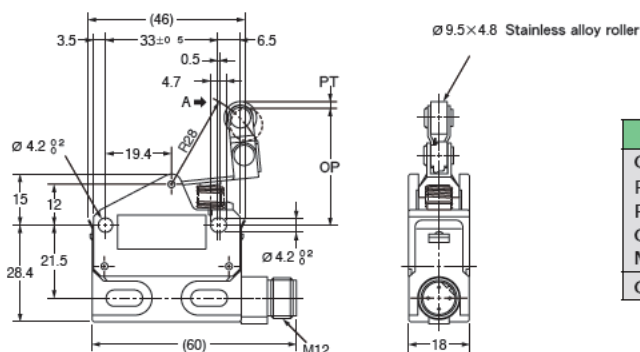
		SL4E-44
OF	MAX	3 92N
RF	MIN	0 78N
PT	MAX	2mm
OT	MIN	4mm
MD		(0 3mm)
OP		23 1 ± 0 8mm

### SL4E-48

- One-way Action Short Roller Lever



Weight: 86.90g



		SL4E-44
OF	MAX	3 92N
RF	MIN	0 78N
PT	MAX	2mm
OT	MIN	4mm
MD		(0 3mm)
OP		34 3 ± 0 8mm