

### Superior maintenance, seal and resistance to shocks

- Strengthen the head seal structure to increase seal properties.
- Wide ambient operating temperature range: 40 ~+80°C.
- Approved by UL, CSA, CCC, EN(TUV).
- NC contacts direct opening mechanism added (able to open contacts when faults occur).

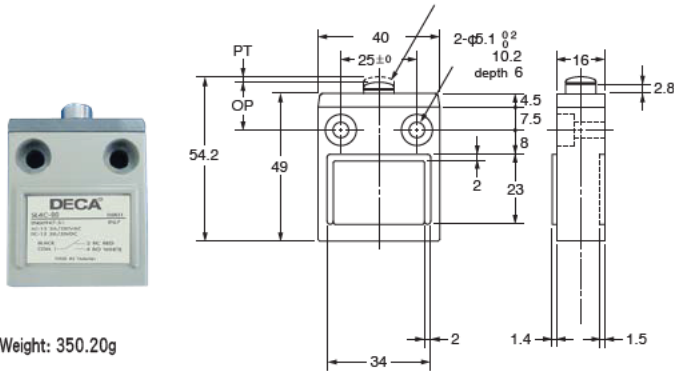
### ■ Operating Characteristics

Degree of protection		IP67
Durability	Mechanical	10,000,000 operations min.
	Electrical	200,000 operations min. (5A at 125VAC, resistive load)
Operating Speed		0.1mm/s to 0.5m/s (in case of plunger) 1mm/s to 1m/s (in case of roller plunger)
Operating Frequency	Mechanical	120 operations /min
	Electrical	30 operations /min
Rated Frequency		50/60Hz
Insulation Resistance		100MΩ min. (at 500VDC)
Contact Resistance		300mΩ max.(initial value with 3M VCTF cable) 400mΩ max.(initial value with 5M VCTF cable)
Dielectric Strength	Between terminals of same polarity	1,000 VAC, 50/60 Hz for 1min
	Between current-carrying metal parts and ground	1,500VAC 50/60Hz for 1min U <sub>imp</sub> :2.5kv (EN60947-5-1)
	Between each terminal and non-current-carrying metal part	1,500VAC 50/60Hz for 1min U <sub>imp</sub> :2.5kv (EN60947-5-1)
Rated insulation voltage (U <sub>i</sub> )		300V (EN60947-5-1)
Pollution degree (Application environment)		3 (EN60947-5-1)
Short-circuit protective device (SCPO)		10A fuse type g1 or gG (ICE60269)
Conditional short-circuit current		100A(EN60947-5-1)
Conventional enclosed thermal current(I <sub>the</sub> )		5A,4A,0.5A(EN60947-5-1)
Electric shock protection class		Class I (with grounding wire)
Vibration Resistance	Malfunction	10 55 Hz 1.5 mm double amplitude
Shock Resistance	Destruction	1,000m/s <sup>2</sup> min.
	Malfunction	500m/s <sup>2</sup> min.
Ambient operating temperature range		-10°C~+70°C (with no icing)
Ambient operating humidity range		35%~90%RH max.
Packing		1pc /Box

Note: 1. Above values of these characteristics are initial values. 2. Above values of these characteristics may be depending on different models. If any requirements, pls contact our sales representative. 3. Above durability is for an ambient temperature of 5 to 35°C and ambient humidity of 40% to 70%. If any requirements, pls contact our sales representative.

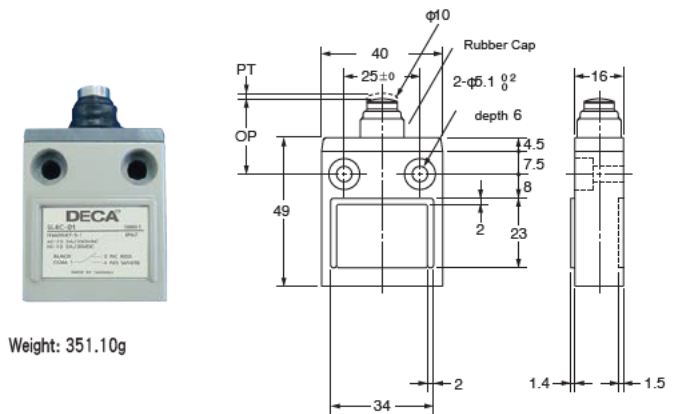
### SL4C-00

● Standard Pin Plunger



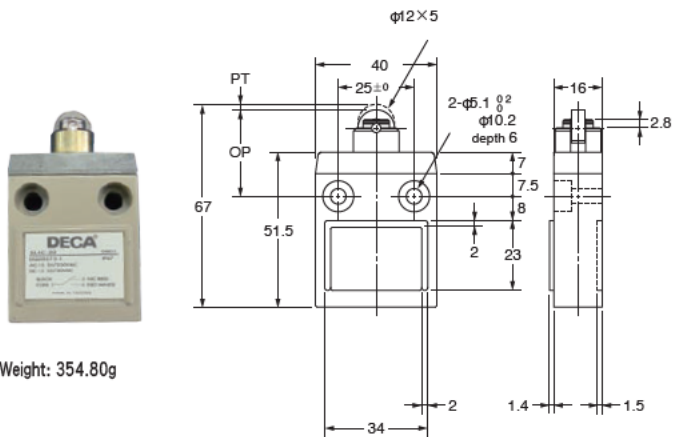
### SL4C-01

● Sealed Plunger



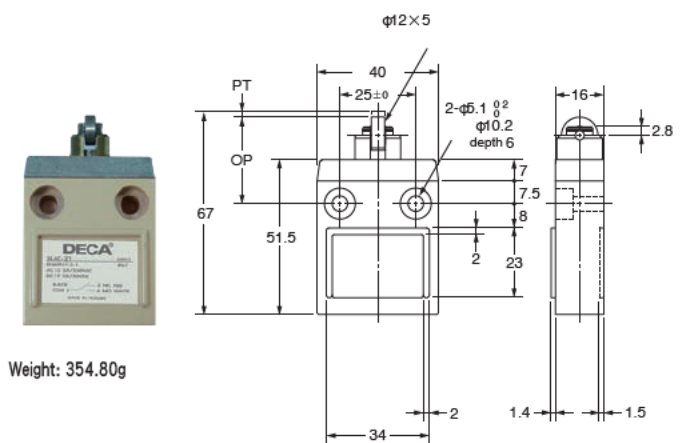
### SL4C-20

● Standard Roller Plunger



### SL4C-21

● Crossroller Plunger

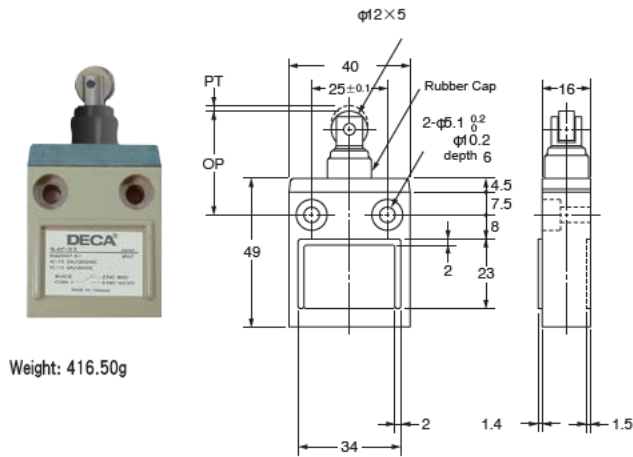


### Operating Characteristics

O.Characteristics	Model	SL4C-00	SL4C-01	SL4C-20	SL4C-21
OF	MAX	11.77N	17.65N	11.77N	11.77N
RF	MIN	4.41N	4.41N	4.41N	4.41N
PT	MAX	1.8mm	1.8mm	1.8mm	1.8mm
OT	MIN	3mm	3mm	3mm	3mm
MD	MAX	0.2mm	0.2mm	0.2mm	0.2mm
OP		15.7 ± 1mm	24.9 ± 1mm	28.5 ± 1mm	28.5 ± 1mm
TT		—	(5)mm	—	—

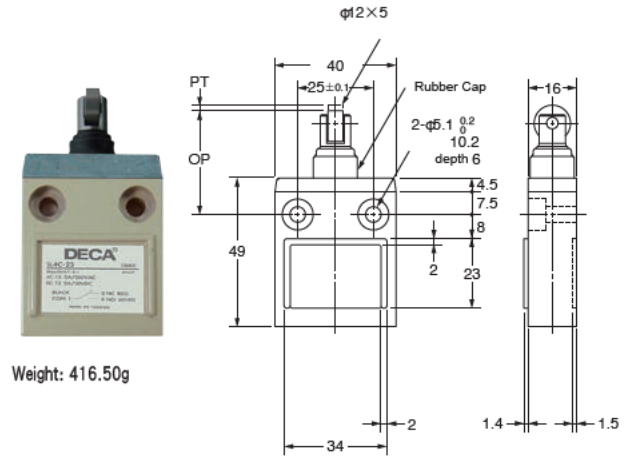
### SL4C-22

●Sealed Roller Plunger



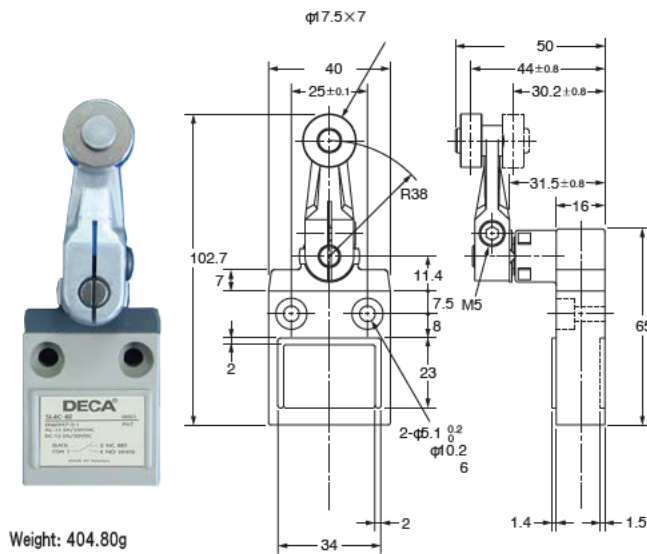
### SL4C-23

●Sealed Crossroller Plunger



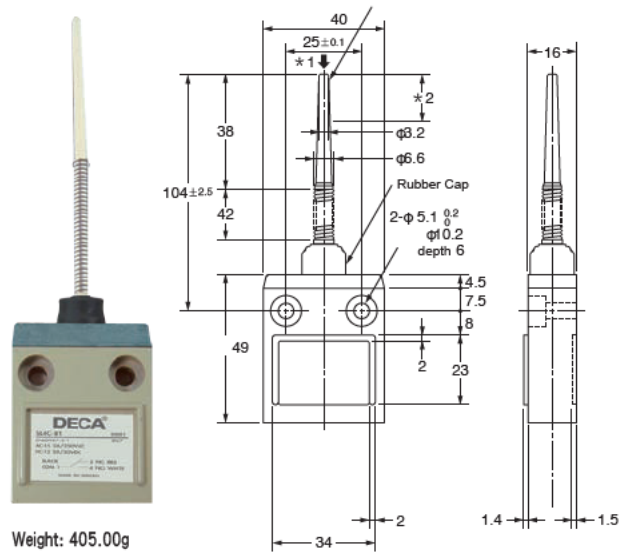
### SL4C-40

●Standard Roller Lever



### SL4C-81

●Plastic Rod



### Operating Characteristics

O.Characteristics	Model	SL4C-22	SL4C-23	SL4C-40	SL4C-81
OF	MAX	17.65N	17.65N	5.69N	1.47N
RF	MIN	4.41N	4.41N	1.47N	—
PT	MAX	1.8mm	1.8mm	25°	15°
OT	MIN	3mm	3mm	40°	—
MD	MAX	0.2mm	0.2mm	3°	—
OP		34.3 ± 1mm	34.3 ± 1mm	—	—
TT		(5)mm	(5)mm	—	—