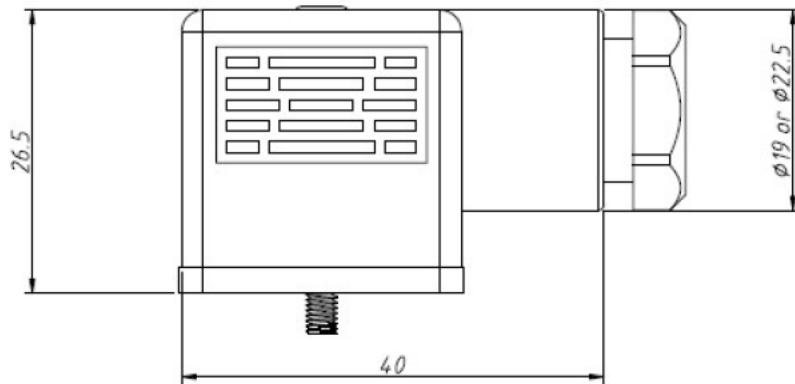


Notes:  
 Standard: DIN EN 175 301-803-A  
 Ambient Temperature: -30°C ~ +125°C  
 Termination: Screw  
 Pin Dimensions: 6.3x0.8mm, 4.8x0.8mm  
 Housing Color: Black  
 Contact Bearer Material: PA+GF  
 Housing Material: PA  
 Contact: PS With Silver Plated  
 Screw: Steel With Zn Plated  
 Seal: FKM/NBR  
 Gasket: NBR  
 Rated Voltage: 250V  
 Rated Impulse voltage: 4000V  
 Rated Current: 10A  
 Insulation Resistance: ≥100MΩ  
 Contact Resistance: ≤4mΩ  
 IP Rating: IP 65 in locked condition  
 Cable Gland: PG9 / PG11  
 Suitable Cables (Dia):  
 4.5 ~ 6.0mm / 6.0 ~ 9.0mm  
 Conductor Size: 1.5mm<sup>2</sup> Max

**SM C10 SVC 0501 xxxx PGy A Plug**

Contacts:  
 3+PE, 2+2PE, 2+PE, 3P, 4P  
 Cable Gland: PG9 or PG11  
 Housing:  
 A-Opaque B-Transparent



Contacts	3+PE	2+2PE	2+PE	3P	4P
Certification	cULus ECBT2.E364453				
Pin layout (Female)					

TOLERANCE		
SCALE	UNIT mm	
DRAW Walter	DATE 1.8.2023	TITLE
CHECK Vanda	REV	<b>SM C10 SVC 0501 xxxx PGy A Plug</b>
		DESCRIPTION
		Solenoid Valve, Valve Plug, Type A, Female Field Wirable Assembly, PG9 I PG11