



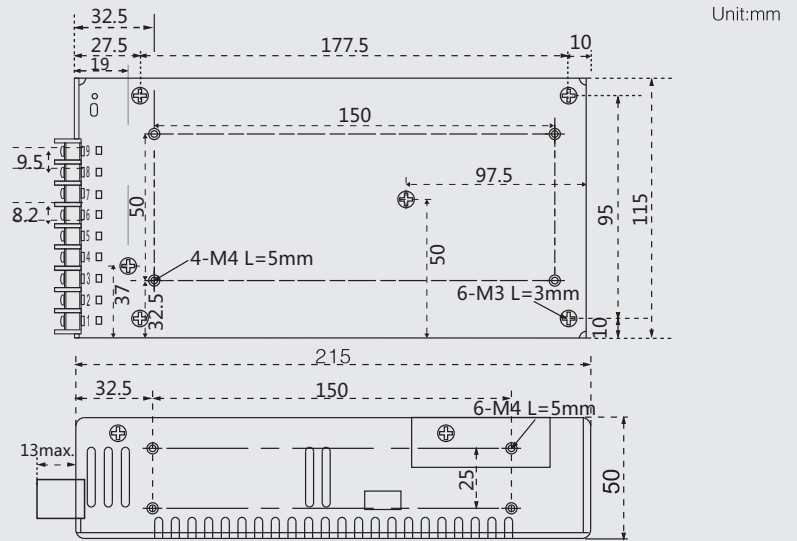
Features:

- 2:1 wide input range
- Protection type: short circuit / overload / overvoltage / overtemperature / input polarity protection (through fuse)
- 1500VAC input / output isolation
- Forced air cooling with built-in DC speed control fan
- 100% full load burn-in test
- 3Years Warranty

SPECIFICATION

Model		SSD-500B			SSD-500C			SSD-500D		
Output	DC voltage	12V	24V	48V	12V	24V	48V	12V	24V	48V
	Voltage tolerance	±2%	±1%	±1%	±2%	±1%	±1%	±2%	±1%	±1%
	Rated current	40A	21A	10.5A	41.5A	21A	10.5A	35A	21A	10.5A
	Current range	0-40A	0-21A	0-10.5A	0-41.5A	0-21A	0-10.5A	0-35A	0-21A	0-10.5A
	Rated power	480W	504W	504W	498W	504W	504W	420W	504W	504W
	Ripple&noise	120mV	150mV	180mV	120mV	150mV	180mV	120mV	150mV	180mV
	DC voltage ADJ. range	±10%								
Input	Start , rise time	500ms, 50ms Full load								
	Input voltage range	B 19~36VDC			C 37~72VDC			D 73~144VDC		
	DC current	26A/24VDC			14A/48VDC			7.5A/110VDC		
	Efficiency	78%	81%	81%	80%	82%	84%	80%	84%	84%
	Inrush current	60A/24VDC			60A/48VDC			60A/110VDC		
Protection	Overload / short circuit	The 115%--135% that exceeds the rated load automatically cuts off the output and restarts auto recovery after the failure condition is removed.								
	Overvoltage	The 125%--145% that exceeds the rated voltage automatically cuts off the output and restarts auto recovery after the failure condition is removed.								
	Overtemperature	The internal temperature of the product is over 95 degrees centigrade and the output is cut off. After the temperature is reduced, the product is automatically restored.								
Environment	Working temp, humidity	-10°C~+60°C; 20%~90%RH								
	Storage temp, humidity	-20°C~+85°C; 20%~90%RH								
	Withstand vibration	10~500Hz, 2G 10min./1Cycle, Period for 60min, X, Y, Z Each axes								
Safety	Withstand voltage	I/P-O/P: 1.5KVAC I/P-FG: 1.5KVAC O/P-FG: 0.5KVAC								
	Isolation resistance	I/P-O/P; I/P-FG,O/P-FG: 100M Ohms/500VDC								
Fit standard	Safety standard	IS09001								
	EMC Standard	CE								
Others	Dimension	1.35Kg								
	Weight	12pcs /16.2kg/0.9CUFT								
Note:	1. All parameters NOT specially mentioned are measured at 48VDC or 110VDC input, rated load and 25°C of ambient temperature. 2. Ripple & noise are measured at 20MHz of bandwidth by using a 12" twisted pair-wire terminated with a 0.1uf & 47uf parallel capacitor. 3. Tolerance : includes set up tolerance, line regulation and load regulation.									

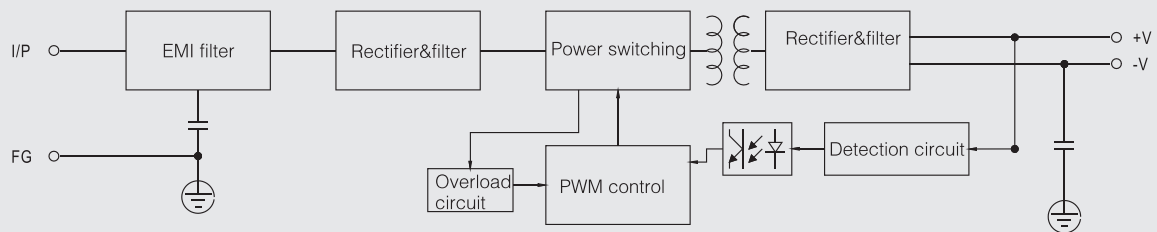
Mechanical specification



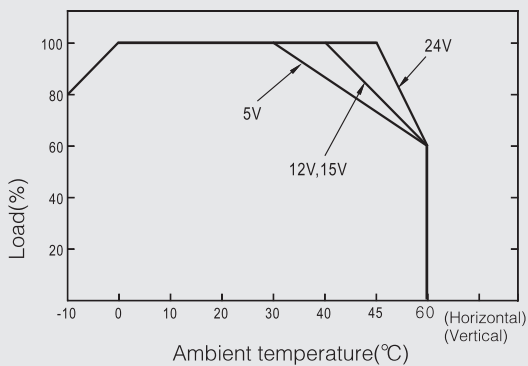
Terminal Pin No Assignment

Pin No.	Assignment	Pin No.	Assignment
1	DC INPUT V+	4、5、6	DC OUTPUT -V
2	DC INPUT V-	7、8、9	DC OUTPUT +V
3	FG		

Block diagram



Derating curve



Static characteristic

SSD500D

