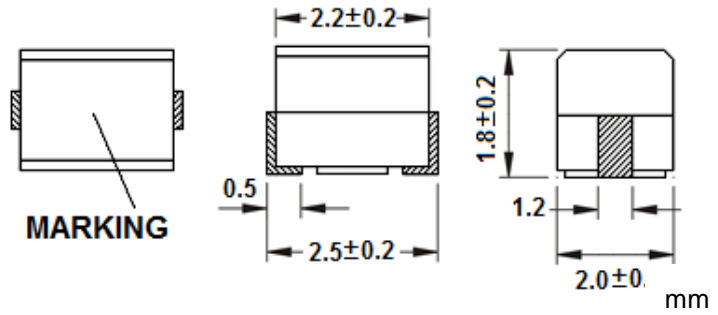
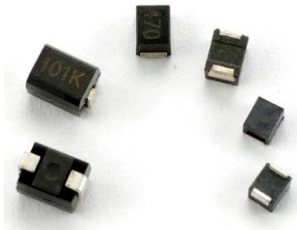


DIMENSIONS

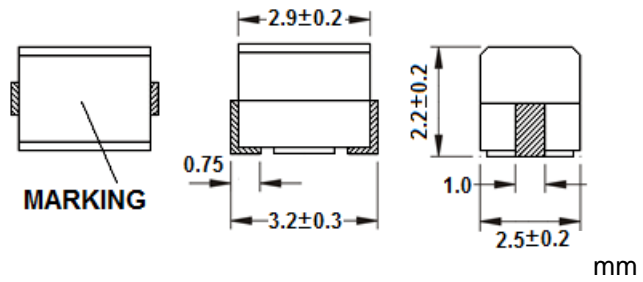
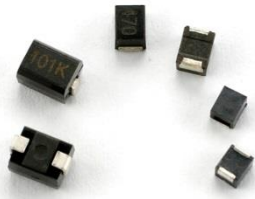


SERIES LIST

No.	Part No.	Inductance (μ H)	Q Min.	Test Frequency (MHz)	SRF Min. (MHz)	RDC Max. (Ω)	IDC Max. (mA)
1	SWI 252018-R22□	0.22	25	25.2	230	0.50	430
2	SWI 252018-R27□	0.27	25	25.2	210	0.55	420
3	SWI 252018-R33□	0.33	25	25.2	190	0.60	400
4	SWI 252018-R39□	0.39	25	25.2	175	0.65	375
5	SWI 252018-R47□	0.47	25	25.2	160	0.68	350
6	SWI 252018-R56□	0.56	25	25.2	150	0.75	325
7	SWI 252018-R68□	0.68	25	25.2	135	0.85	300
8	SWI 252018-R82□	0.82	25	25.2	125	1.00	260
9	SWI 252018-1R0□	1.00	30	7.96	115	1.11	245
10	SWI 252018-1R2□	1.20	30	7.96	100	1.20	230
11	SWI 252018-1R5□	1.50	30	7.96	90	1.30	220
12	SWI 252018-1R8□	1.80	30	7.96	85	1.45	210
13	SWI 252018-2R2□	2.20	30	7.96	75	1.55	200
14	SWI 252018-2R7□	2.70	30	7.96	55	1.70	195
15	SWI 252018-3R3□	3.30	30	7.96	48	1.90	185
16	SWI 252018-3R9□	3.90	30	7.96	43	2.10	180
17	SWI 252018-4R7□	4.70	30	7.96	40	2.30	175
18	SWI 252018-5R6□	5.60	25	7.96	36	2.50	170
19	SWI 252018-6R8□	6.80	25	7.96	33	2.70	165
20	SWI 252018-8R2□	8.20	25	7.96	30	3.05	160
21	SWI 252018-100□	10	25	2.52	27	3.50	155
22	SWI 252018-120□	12	25	2.52	23	3.80	150
23	SWI 252018-150□	15	25	2.52	20	4.40	140
24	SWI 252018-180□	18	25	2.52	18	4.80	130
25	SWI 252018-220□	22	25	2.52	17	5.50	125
26	SWI 252018-270□	27	25	2.52	16	6.30	115
27	SWI 252018-330□	33	25	2.52	15	7.10	110
28	SWI 252018-390□	39	20	2.52	14	9.50	90
29	SWI 252018-470□	47	20	2.52	13	11.1	80
30	SWI 252018-560□	56	20	2.52	12	12.1	75
31	SWI 252018-680□	68	20	2.52	11	16.6	70
32	SWI 252018-820□	82	20	2.52	10	19.0	66
33	SWI 252018-101□	100	15	0.796	9	21.0	60

Tolerance : J = \pm 5% ; K = \pm 10% ; M = \pm 20% , K tolerance is standard.

DIMENSIONS

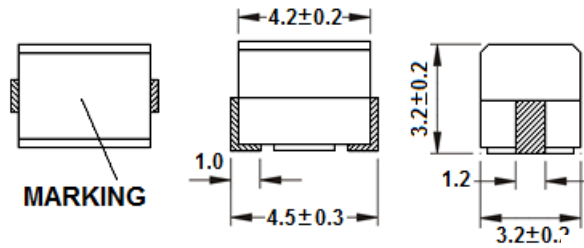
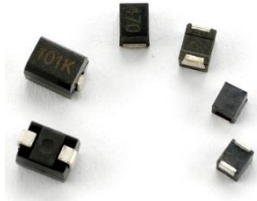


SERIES LIST

No.	Part No.	Inductance (μ H)	Q Min.	Test Frequency (MHz)	SRF Min. (MHz)	RDC Max. (Ω)	IDC Max. (mA)
1	SWI 322522-R12□	0.12	30	25.2	500	0.22	450
2	SWI 322522-R15□	0.15	30	25.2	450	0.25	450
3	SWI 322522-R18□	0.18	30	25.2	400	0.28	450
4	SWI 322522-R22□	0.22	30	25.2	350	0.32	450
5	SWI 322522-R27□	0.27	30	25.2	320	0.36	450
6	SWI 322522-R33□	0.33	30	25.2	300	0.40	450
7	SWI 322522-R39□	0.39	30	25.2	250	0.45	450
8	SWI 322522-R47□	0.47	30	25.2	220	0.50	450
9	SWI 322522-R56□	0.56	30	25.2	180	0.55	450
10	SWI 322522-R68□	0.68	30	25.2	160	0.60	450
11	SWI 322522-R82□	0.82	30	25.2	140	0.65	450
12	SWI 322522-1R0□	1.00	30	7.96	120	0.70	400
13	SWI 322522-1R2□	1.20	30	7.96	100	0.75	390
14	SWI 322522-1R5□	1.50	30	7.96	85	0.85	370
15	SWI 322522-1R8□	1.80	30	7.96	80	0.90	350
16	SWI 322522-2R2□	2.20	30	7.96	75	1.00	320
17	SWI 322522-2R7□	2.70	30	7.96	70	1.10	290
18	SWI 322522-3R3□	3.30	30	7.96	60	1.20	260
19	SWI 322522-3R9□	3.90	30	7.96	55	1.30	250
20	SWI 322522-4R7□	4.70	30	7.96	50	1.50	220
21	SWI 322522-5R6□	5.60	30	7.96	47	1.60	200
22	SWI 322522-6R8□	6.80	30	7.96	43	1.80	180
23	SWI 322522-8R2□	8.20	30	7.96	40	2.00	170
24	SWI 322522-100□	10	30	2.52	36	2.10	150
25	SWI 322522-120□	12	30	2.52	33	2.50	140
26	SWI 322522-150□	15	30	2.52	28	2.80	130
27	SWI 322522-180□	18	30	2.52	25	3.30	120
28	SWI 322522-220□	22	30	2.52	23	3.70	110
29	SWI 322522-270□	27	30	2.52	18	5.00	80
30	SWI 322522-330□	33	30	2.52	17	5.60	70
31	SWI 322522-390□	39	30	2.52	16	6.40	65
32	SWI 322522-470□	47	30	2.52	15	7.00	60
33	SWI 322522-560□	56	30	2.52	13	8.00	55
34	SWI 322522-680□	68	30	2.52	12	9.00	50
35	SWI 322522-820□	82	30	2.52	11	10.0	45
36	SWI 322522-101□	100	20	0.796	10	11.0	40
37	SWI 322522-121□	120	20	0.796	10	12.0	70
38	SWI 322522-151□	150	20	0.796	8	15.0	65
39	SWI 322522-181□	180	20	0.796	7	17.0	60
40	SWI 322522-221□	220	20	0.796	7	21.0	60

Tolerance : J = \pm 5% ; K = \pm 10% ; M = \pm 20% , K tolerance is standard.

DIMENSIONS



mm

SERIES LIST

No.	Part No.	Inductance (μ H)	Q Min.	Test Frequency (MHz)	SRF Min. (MHz)	RDC Max. (Ω)	IDC Max. (mA)
1	SWI 453232-R10	0.10	35	25.2	300	0.20	800
2	SWI 453232-R12	0.12	35	25.2	280	0.20	770
3	SWI 453232-R15	0.15	35	25.2	250	0.20	730
4	SWI 453232-R18	0.18	35	25.2	200	0.20	700
5	SWI 453232-R22	0.22	40	25.2	220	0.30	665
6	SWI 453232-R27	0.27	40	25.2	180	0.30	635
7	SWI 453232-R33	0.33	40	25.2	165	0.30	605
8	SWI 453232-R39	0.39	40	25.2	150	0.30	575
9	SWI 453232-R47	0.47	40	25.2	145	0.30	545
10	SWI 453232-R56	0.56	40	25.2	140	0.40	520
11	SWI 453232-R68	0.68	40	25.2	135	0.40	500
12	SWI 453232-R82	0.82	40	25.2	130	0.50	475
13	SWI 453232-1R0	1.00	50	7.96	100	0.50	450
14	SWI 453232-1R2	1.20	50	7.96	80	0.60	430
15	SWI 453232-1R5	1.50	50	7.96	70	0.60	410
16	SWI 453232-1R8	1.80	50	7.96	65	0.70	390
17	SWI 453232-2R2	2.20	50	7.96	60	0.70	380
18	SWI 453232-2R7	2.70	50	7.96	50	0.80	370
19	SWI 453232-3R3	3.30	50	7.96	45	0.80	355
20	SWI 453232-3R9	3.90	50	7.96	40	0.90	330
21	SWI 453232-4R7	4.70	50	7.96	35	1.00	315
22	SWI 453232-5R6	5.60	50	7.96	33	1.10	300
23	SWI 453232-6R8	6.80	50	7.96	27	1.20	285
24	SWI 453232-8R2	8.20	50	7.96	25	1.40	270
25	SWI 453232-100	10	50	2.52	20	1.60	250
26	SWI 453232-120	12	50	2.52	18	2.00	225
27	SWI 453232-150	15	50	2.52	17	2.50	200
28	SWI 453232-180	18	50	2.52	15	2.80	190
29	SWI 453232-220	22	50	2.52	13	3.20	180
30	SWI 453232-270	27	50	2.52	12	3.60	170
31	SWI 453232-330	33	50	2.52	11	4.00	160
32	SWI 453232-390	39	50	2.52	10	4.50	150
33	SWI 453232-470	47	50	2.52	10	5.00	140
34	SWI 453232-560	56	50	2.52	9.0	5.50	135
35	SWI 453232-680	68	50	2.52	9.0	6.00	130
36	SWI 453232-820	82	50	2.52	8.0	7.00	120
37	SWI 453232-101	100	40	0.796	8.0	8.00	110
38	SWI 453232-121	120	40	0.796	6.0	8.00	110
39	SWI 453232-151	150	40	0.796	5.0	9.00	105
40	SWI 453232-181	180	40	0.796	5.0	9.50	102
41	SWI 453232-221	220	40	0.796	4.0	10.0	100
42	SWI 453232-271	270	40	0.796	4.0	12.0	92
43	SWI 453232-331	330	40	0.796	3.5	14.0	85
44	SWI 453232-391	390	40	0.796	3.0	18.0	80
45	SWI 453232-471	470	40	0.796	3.0	26.0	62
46	SWI 453232-561	560	30	0.796	3.0	30.0	50
47	SWI 453232-681	680	30	0.796	3.0	30.0	50
48	SWI 453232-821	820	30	0.796	2.5	35.0	30
49	SWI 453232-102	1000	20	0.252	2.5	40.0	30

Tolerance : J = \pm 5% ; K = \pm 10% ; M = \pm 20% , K tolerance is standard.