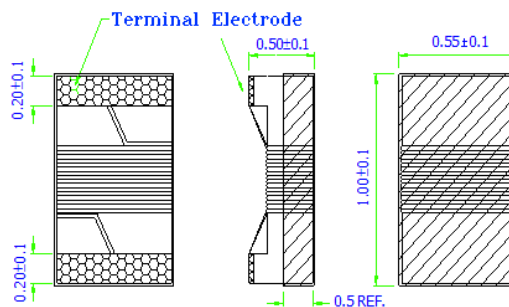
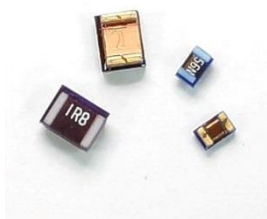


DIMENSIONS

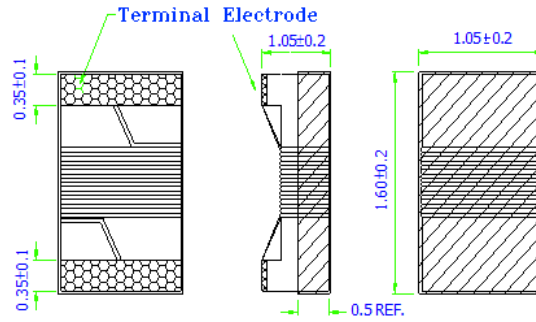


SERIES LIST

No.	Part No.	Inductance (nH)	Q Min.	Typical 900MHz	Test Fq. (MHz)	SRF Min.(GHz)	RDC Max.(Ω)	IDC Max.(mA)
1	SWI 0402C-1N0S	1.0	13	26	250	6.00	0.045	1360
2	SWI 0402C-1N9S	1.9	16	29	250	6.00	0.070	1040
3	SWI 0402C-2N0S	2.0	16	30	250	6.00	0.070	1040
4	SWI 0402C-2N2S	2.2	18	32	250	6.00	0.070	960
5	SWI 0402C-2N4S	2.4	16	35	250	6.00	0.068	790
6	SWI 0402C-2N7S	2.7	16	31	250	6.00	0.120	860
7	SWI 0402C-3N3S	3.3	20	41	250	6.00	0.066	840
8	SWI 0402C-3N6S	3.6	20	43	250	6.00	0.066	840
9	SWI 0402C-3N9S	3.9	20	41	250	5.80	0.066	840
10	SWI 0402C-4N3□	4.3	18	45	250	6.00	0.091	700
11	SWI 0402C-4N7□	4.7	15	45	250	4.78	0.130	640
12	SWI 0402C-5N1□	5.1	23	49	250	5.80	0.083	800
13	SWI 0402C-5N6□	5.6	23	46	250	5.80	0.083	760
14	SWI 0402C-6N2□	6.2	23	49	250	5.80	0.083	760
15	SWI 0402C-6N8□	6.8	20	50	250	4.80	0.083	680
16	SWI 0402C-7N5□	7.5	25	50	250	5.80	0.104	680
17	SWI 0402C-8N2□	8.2	25	49	250	4.40	0.104	680
18	SWI 0402C-8N7□	8.7	18	50	250	4.10	0.200	480
19	SWI 0402C-9N0□	9.0	25	49	250	4.16	0.104	680
20	SWI 0402C-9N5□	9.5	18	45	250	4.00	0.200	680
21	SWI 0402C-10N□	10.0	23	47	250	3.90	0.195	480
22	SWI 0402C-11N□	11.0	26	56	250	3.68	0.120	640
23	SWI 0402C-12N□	12.0	26	51	250	3.60	0.120	640
24	SWI 0402C-13N□	13.0	24	54	250	3.45	0.210	560
25	SWI 0402C-15N□	15.0	26	54	250	3.28	0.172	560
26	SWI 0402C-16N□	16.0	24	54	250	3.10	0.220	560
27	SWI 0402C-18N□	18.0	25	52	250	3.10	0.230	520
28	SWI 0402C-19N□	19.0	26	50	250	3.04	0.202	480
29	SWI 0402C-20N□	20.0	25	51	250	3.00	0.250	420
30	SWI 0402C-22N□	22.0	25	52	250	2.80	0.300	400
31	SWI 0402C-23N□	23.0	26	53	250	2.72	0.214	400
32	SWI 0402C-24N□	24.0	25	51	250	2.70	0.300	400
33	SWI 0402C-27N□	27.0	26	48	250	2.48	0.298	400
34	SWI 0402C-30N□	30.0	25	46	250	2.35	0.300	400
35	SWI 0402C-33N□	33.0	24	48	250	2.35	0.350	400
36	SWI 0402C-36N□	36.0	26	48	250	2.32	0.403	320
37	SWI 0402C-39N□	39.0	26	50	250	3.04	0.202	480
38	SWI 0402C-40N□	40.0	26	48	250	2.24	0.438	320
39	SWI 0402C-43N□	43.0	25	46	250	2.03	0.810	240
40	SWI 0402C-47N□	47.0	26	46	200	2.10	0.830	150
41	SWI 0402C-51N□	51.0	25	40	200	1.75	0.820	210
42	SWI 0402C-56N□	56.0	22	42	200	1.76	0.970	200
43	SWI 0402C-68N□	68.0	22	36	200	1.62	1.120	180
44	SWI 0402C-82N□	82.0	20	33	150	1.50	1.250	150
45	SWI 0402C-91N□	91.0	20	30	150	1.35	2.300	120
46	SWI 0402C-R10□	100.0	20	30	150	1.30	2.520	120
47	SWI 0402C-R12□	120.0	20	29	150	1.10	2.660	110

Tolerance : S = ± 0.3nH ; G = ± 2% ; J = ± 5% ; K = ± 10%

DIMENSIONS

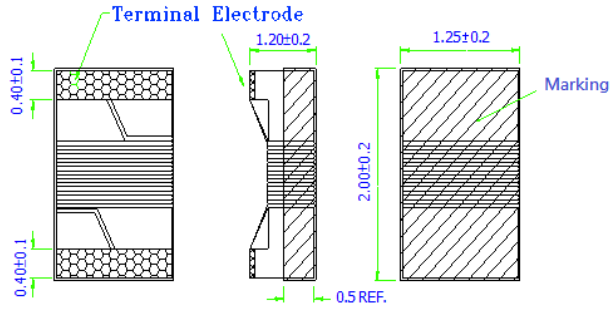


SERIES LIST

No.	Part No.	Inductance (nH)	Q Min.	Typical 900MHz	Test Fq. (MHz)	SRF Min.(GHz)	RDC Max.(Ω)	IDC Max.(mA)
1	SWI 0603C-1N6S	1.6	24	40	250	12.50	0.030	700
2	SWI 0603C-1N8S	1.8	16	35	250	12.50	0.045	700
3	SWI 0603C-2N0S	2.0	16	31	250	6.90	0.080	700
4	SWI 0603C-3N9S	3.9	22	51	250	6.90	0.080	700
5	SWI 0603C-4N3S	4.3	22	45	250	5.90	0.080	700
6	SWI 0603C-4N7S	4.7	20	47	250	5.80	0.130	700
7	SWI 0603C-5N1□	5.1	20	47	250	5.70	0.140	700
8	SWI 0603C-5N6□	5.6	16	40	250	5.50	0.150	700
9	SWI 0603C-6N8□	6.8	30	63	250	5.80	0.110	700
10	SWI 0603C-7N5□	7.5	28	64	250	4.80	0.106	700
11	SWI 0603C-8N2□	8.2	30	72	250	4.60	0.100	700
12	SWI 0603C-8N7□	8.7	28	66	250	4.60	0.109	700
13	SWI 0603C-9N1□	9.1	28	60	250	4.00	0.135	700
14	SWI 0603C-9N5□	9.5	28	62	250	4.50	0.135	700
15	SWI 0603C-10N□	10	30	66	250	4.80	0.130	700
16	SWI 0603C-11N□	11	33	68	250	4.00	0.090	700
17	SWI 0603C-12N□	12	35	72	250	4.00	0.130	700
18	SWI 0603C-13N□	13	38	75	250	4.00	0.106	700
19	SWI 0603C-15N□	15	35	68	250	4.00	0.170	700
20	SWI 0603C-16N□	16	34	66	250	3.30	0.170	700
21	SWI 0603C-18N□	18	38	77	250	3.10	0.170	700
22	SWI 0603C-20N□	20	38	72	250	3.00	0.220	700
23	SWI 0603C-22N□	22	38	70	250	3.00	0.220	700
24	SWI 0603C-24N□	24	37	75	250	2.65	0.135	700
25	SWI 0603C-27N□	27	40	75	250	2.80	0.220	600
26	SWI 0603C-30N□	30	45	57	250	2.30	0.220	600
27	SWI 0603C-33N□	33	43	78	250	2.30	0.220	600
28	SWI 0603C-36N□	36	43	70	250	2.20	0.250	600
29	SWI 0603C-39N□	39	43	66	250	2.20	0.250	600
30	SWI 0603C-43N□	43	38	62	250	2.00	0.280	600
31	SWI 0603C-47N□	47	40	65	200	2.00	0.280	600
32	SWI 0603C-51N□	51	40	66	200	1.90	0.310	600
33	SWI 0603C-56N□	56	40	66	200	1.90	0.310	600
34	SWI 0603C-62N□	62	40	60	200	1.70	0.340	600
35	SWI 0603C-68N□	68	40	57	200	1.70	0.340	600
36	SWI 0603C-72N□	72	35	60	150	1.70	0.490	400
37	SWI 0603C-82N□	82	35	58	150	1.70	0.540	400
38	SWI 0603C-90N□	90	35	52	150	1.70	0.540	400
39	SWI 0603C-R10□	100	35	51	150	1.40	0.630	400
40	SWI 0603C-R11□	110	35	22	150	1.40	0.630	400
41	SWI 0603C-R12□	120	35	45	150	1.30	0.650	300
42	SWI 0603C-R13□	130	35	40	150	1.00	0.920	280
43	SWI 0603C-R15□	150	35	33	150	1.00	0.920	280
44	SWI 0603C-R18□	180	30	26	100	1.00	1.250	240
45	SWI 0603C-R20□	200	30	23	100	1.00	1.250	240
46	SWI 0603C-R21□	210	27	23	100	1.00	1.700	200
47	SWI 0603C-R22□	220	30	23	100	1.00	1.700	200
48	SWI 0603C-R24□	240	30	15	100	1.00	1.700	200
49	SWI 0603C-R27□	270	30	10	100	1.00	1.800	170
50	SWI 0603C-R33□	330	25	-	100	0.45	2.000	150
51	SWI 0603C-R39□	390	20	-	100	0.35	2.000	170

Tolerance : S = ± 0.3nH ; G = ± 2% ; J = ± 5% ; K = ± 10%

DIMENSIONS



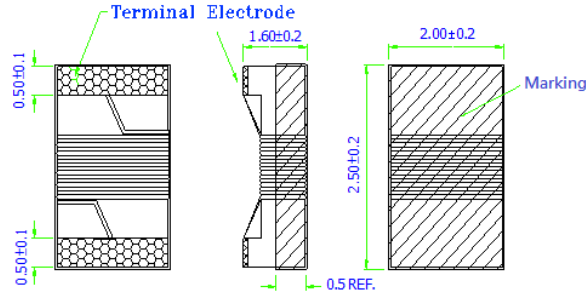
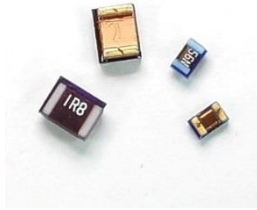
SERIES LIST

No.	Part No.	Inductance (nH)	Q Min.	SRF Min. (GHz)	RDC Max. (Ω)	IDC Max. (mA)
1	SWI 0805C-2N2S	2.2 @ 250MHz	50 @ 1000MHz	6	0.06	800
2	SWI 0805C-2N7S	2.7 @ 250MHz	35 @ 1000MHz	6	0.08	800
3	SWI 0805C-3N3S	3.3 @ 250MHz	60 @ 1000MHz	6	0.08	800
4	SWI 0805C-3N9S	3.9 @ 250MHz	60 @ 1000MHz	6	0.06	600
5	SWI 0805C-4N7S	4.7 @ 250MHz	60 @ 1000MHz	6	0.06	600
6	SWI 0805C-5N1□	5.1 @ 250MHz	60 @ 1000MHz	6	0.08	600
7	SWI 0805C-5N6□	5.6 @ 250MHz	60 @ 1000MHz	6	0.08	600
8	SWI 0805C-6N8□	6.8 @ 250MHz	60 @ 1000MHz	6	0.06	600
9	SWI 0805C-8N2□	8.2 @ 250MHz	60 @ 1000MHz	6	0.06	600
10	SWI 0805C-10N□	10 @ 250MHz	60 @ 500MHz	5	0.08	600
11	SWI 0805C-12N□	12 @ 250MHz	60 @ 500MHz	4	0.08	600
12	SWI 0805C-15N□	15 @ 250MHz	60 @ 500MHz	4	0.08	600
13	SWI 0805C-18N□	18 @ 250MHz	60 @ 500MHz	3	0.08	600
14	SWI 0805C-22N□	22 @ 250MHz	60 @ 500MHz	3	0.10	600
15	SWI 0805C-27N□	27 @ 250MHz	60 @ 500MHz	3	0.12	600
16	SWI 0805C-33N□	33 @ 250MHz	60 @ 500MHz	2	0.15	500
17	SWI 0805C-39N□	39 @ 250MHz	60 @ 500MHz	2	0.18	500
18	SWI 0805C-47N□	47 @ 200MHz	60 @ 500MHz	2	0.15	500
19	SWI 0805C-56N□	56 @ 200MHz	60 @ 500MHz	2	0.25	500
20	SWI 0805C-68N□	68 @ 200MHz	60 @ 500MHz	1	0.27	500
21	SWI 0805C-82N□	82 @ 150MHz	60 @ 500MHz	1	0.32	500
22	SWI 0805C-R10□	100 @ 150MHz	60 @ 500MHz	1	0.43	500
23	SWI 0805C-R12□	120 @ 150MHz	50 @ 250MHz	1	0.48	500
24	SWI 0805C-R15□	150 @ 100MHz	50 @ 250MHz	0.95	0.56	400
25	SWI 0805C-R18□	180 @ 100MHz	50 @ 250MHz	0.9	0.78	400
26	SWI 0805C-R22□	220 @ 100MHz	50 @ 250MHz	0.86	1.00	400
27	SWI 0805C-R27□	270 @ 100MHz	45 @ 250MHz	0.85	1.46	350
28	SWI 0805C-R33□	330 @ 100MHz	45 @ 250MHz	0.8	1.65	300
29	SWI 0805C-R39□	390 @ 100MHz	45 @ 250MHz	0.78	2.20	210
1	SWI 0805F-R47□	470 @ 25.2MHz	45 @ 100MHz	375	0.95	500
2	SWI 0805F-R56□	560 @ 25.2MHz	45 @ 100MHz	340	1.10	450
3	SWI 0805F-R68□	680 @ 25.2MHz	35 @ 100MHz	188	1.20	400
4	SWI 0805F-R82□	820 @ 25.2MHz	35 @ 100MHz	215	1.50	300
5	SWI 0805F-1R0□	1,000 @ 25.2MHz	35 @ 50MHz	200	2.13	180
6	SWI 0805F-1R2□	1,200 @ 7.96MHz	15 @ 7.96MHz	200	2.38	150
7	SWI 0805F-1R5□	1,500 @ 7.96MHz	15 @ 7.96MHz	200	2.90	130
8	SWI 0805F-1R8□	1,800 @ 7.96MHz	15 @ 7.96MHz	120	3.00	120
9	SWI 0805F-2R2□	2,200 @ 7.96MHz	15 @ 7.96MHz	110	3.10	110
10	SWI 0805F-2R7□	2700 @ 7.96MHz	15 @ 7.96MHz	100	3.50	100
11	SWI 0805F-3R3□	3,300 @ 7.96MHz	15 @ 7.96MHz	70	2.30	210
12	SWI 0805F-3R9□	3,900 @ 7.96MHz	15 @ 7.96MHz	60	2.50	200
13	SWI 0805F-4R7□	4,700 @ 7.96MHz	15 @ 7.96MHz	50	2.80	180
14	SWI 0805F-5R6□	5,600 @ 7.96MHz	15 @ 7.96MHz	45	3.00	160
15	SWI 0805F-6R8□	6,800 @ 7.96MHz	15 @ 7.96MHz	45	3.20	130
16	SWI 0805F-8R2□	8,200 @ 7.96MHz	15 @ 7.96MHz	40	3.50	120
17	SWI 0805F-100□	10,000 @ 2.52MHz	15 @ 2.52MHz	40	5.00	80

Tolerance : S = ± 0.3nH ; G = ± 2% ; J = ± 5% ; K = ± 10%

1μH=1,000nH

DIMENSIONS

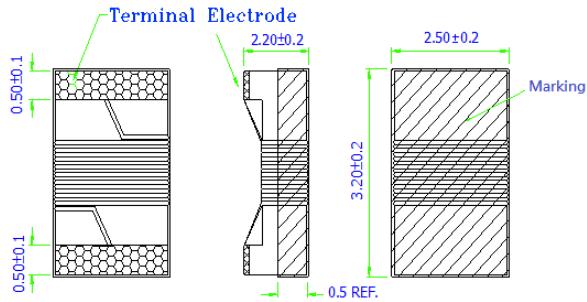
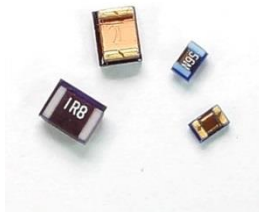


SERIES LIST

No.	Part No.	Inductance (nH)	Q Min.	SRF Min. (GHz)	RDC Max. (Ω)	IDC Max. (mA)
1	SWI 1008C-3N3	3.3 @ 100MHz	50 @ 1000MHz	6	0.060	1000
2	SWI 1008C-6N8	6.8 @ 100MHz	50 @ 1000MHz	5.5	0.060	1000
3	SWI 1008C-8N2	8.2 @ 100MHz	50 @ 1000MHz	5.5	0.060	1000
4	SWI 1008C-10N	10 @ 100MHz	50 @ 1000MHz	4.30	0.080	1000
5	SWI 1008C-12N	12 @ 100MHz	60 @ 500MHz	3.60	0.080	1000
6	SWI 1008C-15N	15 @ 100MHz	60 @ 500MHz	2.70	0.080	1000
7	SWI 1008C-18N	18 @ 100MHz	60 @ 350MHz	2.70	0.100	1000
8	SWI 1008C-22N	22 @ 100MHz	60 @ 350MHz	2.50	0.100	1000
9	SWI 1008C-27N	27 @ 100MHz	60 @ 350MHz	1.80	0.100	1000
10	SWI 1008C-33N	33 @ 100MHz	60 @ 350MHz	1.70	0.100	1000
11	SWI 1008C-39N	39 @ 100MHz	60 @ 350MHz	1.50	0.100	1000
12	SWI 1008C-47N	47 @ 100MHz	60 @ 350MHz	1.50	0.100	1000
13	SWI 1008C-56N	56 @ 100MHz	60 @ 350MHz	1.35	0.120	1000
14	SWI 1008C-68N	68 @ 100MHz	60 @ 350MHz	1.30	0.150	1000
15	SWI 1008C-82N	82 @ 100MHz	60 @ 350MHz	1.10	0.180	1000
16	SWI 1008C-R10	100 @ 100MHz	60 @ 350MHz	1.10	0.180	1000
17	SWI 1008C-R12	120 @ 25MHz	45 @ 100MHz	0.95	0.200	800
18	SWI 1008C-R15	150 @ 25MHz	45 @ 100MHz	0.88	0.220	800
19	SWI 1008C-R18	180 @ 25MHz	45 @ 100MHz	0.80	0.330	800
20	SWI 1008C-R22	220 @ 25MHz	45 @ 100MHz	0.73	0.450	800
21	SWI 1008C-R27	270 @ 25MHz	45 @ 100MHz	0.65	0.750	600
22	SWI 1008C-R33	330 @ 25MHz	45 @ 100MHz	0.57	0.900	500
23	SWI 1008C-R39	390 @ 25MHz	45 @ 100MHz	0.53	1.060	470
24	SWI 1008C-R47	470 @ 25MHz	45 @ 100MHz	0.48	1.170	420
25	SWI 1008C-R56	560 @ 25MHz	45 @ 100MHz	0.43	1.500	310
26	SWI 1008C-R68	680 @ 25MHz	45 @ 100MHz	0.38	2.060	230
27	SWI 1008C-R75	750 @ 25MHz	45 @ 100MHz	0.36	2.200	200
28	SWI 1008C-R82	820 @ 25MHz	45 @ 100MHz	0.35	2.300	180
29	SWI 1008C-R91	910 @ 25MHz	45 @ 100MHz	0.33	3.180	150
30	SWI 1008C-1R0	1,000 @ 25MHz	35 @ 50MHz	0.31	3.300	120
1	SWI 1008F-1R2	1,200 @ 7.96MHz	20 @ 7.96MHz	280	1.30	230
2	SWI 1008F-1R5	1,500 @ 7.96MHz	20 @ 7.96MHz	250	1.65	220
3	SWI 1008F-1R8	1,800 @ 7.96MHz	20 @ 7.96MHz	200	2.20	210
4	SWI 1008F-2R2	2,200 @ 7.96MHz	20 @ 7.96MHz	160	2.35	200
5	SWI 1008F-2R7	2,700 @ 7.96MHz	20 @ 7.96MHz	130	2.60	195
6	SWI 1008F-3R3	3,300 @ 7.96MHz	20 @ 7.96MHz	80	2.85	185
7	SWI 1008F-3R9	3,900 @ 7.96MHz	20 @ 7.96MHz	50	4.00	180
8	SWI 1008F-4R7	4,700 @ 7.96MHz	20 @ 7.96MHz	45	4.30	175
9	SWI 1008F-5R6	5,600 @ 7.96MHz	20 @ 7.96MHz	42	2.60	170
10	SWI 1008F-6R8	6,800 @ 7.96MHz	20 @ 7.96MHz	39	2.80	165
11	SWI 1008F-8R2	8,200 @ 7.96MHz	20 @ 7.96MHz	36	3.05	160
12	SWI 1008F-100	10,000 @ 2.52MHz	15 @ 2.52MHz	33	3.50	150
13	SWI 1008F-120	12,000 @ 2.52MHz	15 @ 2.52MHz	30	3.60	140
14	SWI 1008F-150	15,000 @ 2.52MHz	15 @ 2.52MHz	26	3.80	130
15	SWI 1008F-180	18,000 @ 2.52MHz	15 @ 2.52MHz	24	4.50	120
16	SWI 1008F-220	22,000 @ 2.52MHz	15 @ 2.52MHz	22	4.80	110
17	SWI 1008F-270	27,000 @ 2.52MHz	15 @ 2.52MHz	21	5.30	95
18	SWI 1008F-330	33,000 @ 2.52MHz	15 @ 2.52MHz	20	6.10	85
19	SWI 1008F-390	39,000 @ 2.52MHz	15 @ 2.52MHz	18	8.30	60
20	SWI 1008F-470	47,000 @ 2.52MHz	15 @ 2.52MHz	17	12.60	45

Tolerance : S = ± 0.3nH ; G = ± 2% ; J = ± 5% ; K = ± 10%

DIMENSIONS



SERIES LIST

No.	Part No.	Inductance (nH)	Q Min.	SRF Min. (GHz)	RDC Max. (Ω)	IDC Max. (mA)
1	SWI 1210C-4N7□	4.7 @ 100MHz	50 @ 1000MHz	6.00	0.060	1000
2	SWI 1210C-5N6□	5.6 @ 100MHz	50 @ 1000MHz	5.50	0.080	1000
3	SWI 1210C-10N□	10 @ 100MHz	60 @ 500MHz	4.00	0.060	1000
4	SWI 1210C-12N□	12 @ 100MHz	60 @ 500MHz	3.40	0.060	1000
5	SWI 1210C-15N□	15 @ 100MHz	60 @ 500MHz	3.20	0.060	1000
6	SWI 1210C-18N□	18 @ 100MHz	60 @ 300MHz	2.80	0.060	1000
7	SWI 1210C-22N□	22 @ 100MHz	60 @ 300MHz	2.10	0.080	1000
8	SWI 1210C-27N□	27 @ 100MHz	60 @ 300MHz	1.90	0.080	1000
9	SWI 1210C-33N□	33 @ 100MHz	60 @ 300MHz	1.70	0.080	1000
10	SWI 1210C-39N□	39 @ 100MHz	60 @ 300MHz	1.70	0.080	1000
11	SWI 1210C-47N□	47 @ 100MHz	60 @ 300MHz	1.40	0.080	1000
12	SWI 1210C-56N□	56 @ 100MHz	60 @ 300MHz	1.10	0.100	1000
13	SWI 1210C-68N□	68 @ 100MHz	60 @ 300MHz	1.00	0.100	1000
14	SWI 1210C-82N□	82 @ 100MHz	60 @ 300MHz	1.00	0.100	1000
15	SWI 1210C-R10□	100 @ 100MHz	60 @ 300MHz	0.90	0.100	1000
16	SWI 1210C-R12□	120 @ 50MHz	60 @ 300MHz	0.90	0.120	800
17	SWI 1210C-R15□	150 @ 50MHz	60 @ 300MHz	0.80	0.180	800
18	SWI 1210C-R18□	180 @ 50MHz	60 @ 300MHz	0.76	0.210	800
19	SWI 1210C-R22□	220 @ 50MHz	60 @ 300MHz	0.66	0.270	800
20	SWI 1210C-R27□	270 @ 50MHz	50 @ 300MHz	0.60	0.330	700
21	SWI 1210C-R33□	330 @ 50MHz	50 @ 100MHz	0.55	0.370	650
22	SWI 1210C-R39□	390 @ 50MHz	50 @ 100MHz	0.50	0.630	600
23	SWI 1210C-R47□	470 @ 50MHz	50 @ 100MHz	0.45	0.690	550
24	SWI 1210C-R56□	560 @ 50MHz	50 @ 100MHz	0.40	0.900	450
25	SWI 1210C-R68□	680 @ 25MHz	50 @ 100MHz	0.38	1.050	400
26	SWI 1210C-R82□	820 @ 25MHz	50 @ 100MHz	0.35	1.450	350
27	SWI 1210C-1R0□	1,000 @ 25MHz	45 @ 100MHz	0.30	1.900	280
28	SWI 1210C-1R2□	1,200 @ 7.96MHz	45 @ 50MHz	0.30	2.200	250
29	SWI 1210C-1R5□	1,500 @ 7.96MHz	45 @ 50MHz	0.25	2.430	220
30	SWI 1210C-1R8□	1,800 @ 7.96MHz	45 @ 50MHz	0.20	3.360	180
31	SWI 1210C-2R2□	2,200 @ 7.96MHz	40 @ 50MHz	0.20	3.500	150
1	SWI 1210F-1R2□	1,200 @ 7.96MHz	30 @ 7.96MHz	100	0.70	390
2	SWI 1210F-1R5□	1,500 @ 7.96MHz	30 @ 7.96MHz	85	0.75	370
3	SWI 1210F-1R8□	1,800 @ 7.96MHz	30 @ 7.96MHz	80	0.80	350
4	SWI 1210F-2R2□	2,200 @ 7.96MHz	30 @ 7.96MHz	75	0.90	320
5	SWI 1210F-2R7□	2,700 @ 7.96MHz	30 @ 7.96MHz	70	1.10	290
6	SWI 1210F-3R3□	3,300 @ 7.96MHz	30 @ 7.96MHz	60	1.40	260
7	SWI 1210F-3R9□	3,900 @ 7.96MHz	30 @ 7.96MHz	55	1.70	250
8	SWI 1210F-4R7□	4,700 @ 7.96MHz	30 @ 7.96MHz	50	2.30	220
9	SWI 1210F-5R6□	5,600 @ 7.96MHz	20 @ 7.96MHz	47	1.60	200
10	SWI 1210F-6R8□	6,800 @ 7.96MHz	20 @ 7.96MHz	43	2.20	180
11	SWI 1210F-8R2□	8,200 @ 7.96MHz	20 @ 7.96MHz	40	2.40	170
12	SWI 1210F-100□	10,000 @ 2.52MHz	15 @ 2.52MHz	36	3.28	150
13	SWI 1210F-120□	12,000 @ 2.52MHz	15 @ 2.52MHz	33	3.40	140
14	SWI 1210F-150□	15,000 @ 2.52MHz	15 @ 2.52MHz	30	3.90	125
15	SWI 1210F-180□	18,000 @ 2.52MHz	15 @ 2.52MHz	27	4.20	110
16	SWI 1210F-220□	22,000 @ 2.52MHz	15 @ 2.52MHz	25	6.00	90
17	SWI 1210F-270□	27,000 @ 2.52MHz	15 @ 2.52MHz	20	6.80	80
18	SWI 1210F-330□	33,000 @ 2.52MHz	15 @ 2.52MHz	17	7.50	70
19	SWI 1210F-390□	39,000 @ 2.52MHz	15 @ 2.52MHz	16	8.00	65
20	SWI 1210F-470□	47,000 @ 2.52MHz	15 @ 2.52MHz	15	8.50	60

Tolerance : S = ± 0.3nH ; G = ± 2% ; J = ± 5% ; K = ± 10%