

# Combined Type Super Capacitors – JGY

## FEATURES

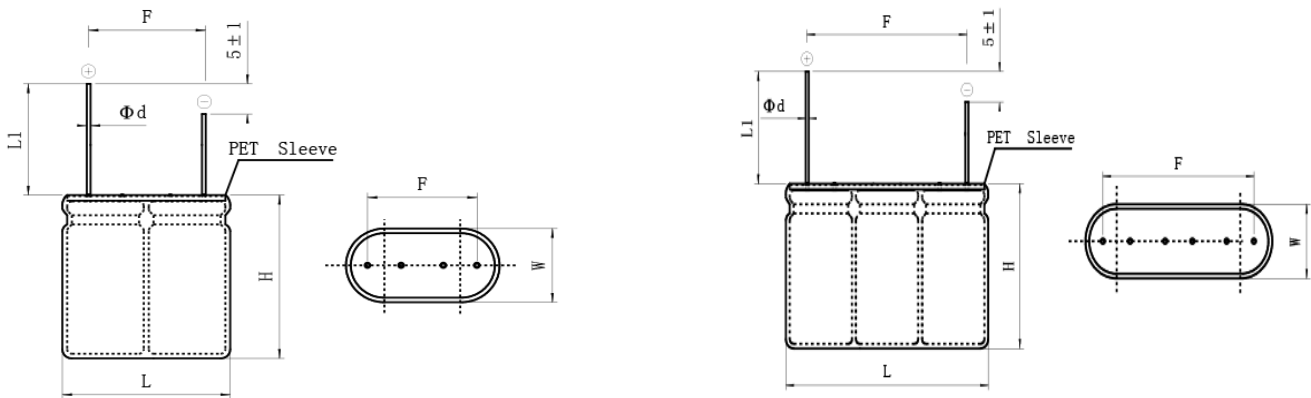
- Low leakage current
- Standard energy type
- Pb-free and RoHS compliant



## SPECIFICATIONS

Items	Performance Characteristics	
Series name	JGY Series Combined Type	
Type name	JGY 5R0	JGY 7R5
Rated voltage $V_R$	5.0V	7.5V
Surge voltage	5.4V	7.9V
Capacity range	0.1F~5F	0.1F~3.3F
Operating temperature range	-25~ +70°C	
Product life	Normal temperature cycle life: 25°C, 1 million cycles between $V_R$ and $1/2V_R$ , Capacity attenuation $\leq 30\%$ , ESR change $\leq 4$ times.	
	High temperature endurance life: Maximum temperature retention $V_R$ , 1000 hours. Capacity attenuation $\leq 30\%$ , ESR change $\leq 4$ times.	

## DIMENSIONS (mm)



Please visit our website to get more update data, those data & specification are subject to change without notice.

## Combined Type Super Capacitors – JGY

### STANDARD RATINGS

Nominal Voltage (V)	Capacity (F)	ESR mΩ		Product size (mm)					
		DC	AC 1kHz	L+/-0.5	W+/-0.5	H+/-2	F+/-0.5	d+/-0.05	L1+/-0.5
5	0.1	3600	2400	11	6	13	7	0.5	27
5	0.1	3600	2400	13	7	14	9	0.5	27
5	0.22	3000	2000	11	6	13	7	0.5	27
5	0.22	3000	2000	13	7	14	9	0.5	27
5	0.33	2700	1800	17	9	15	12	0.6	29
5	0.47	2100	1400	13	7	14	9	0.6	29
5	0.47	2100	1400	17	9	15	12	0.5	27
5	1	900	600	17	9	15	12	0.6	29
5	1	900	600	17	9	21	12	0.6	29
5	1	900	600	21	10	21	15	0.6	29
5	1.5	750	500	21	10	21	15	0.6	29
5	1.5	900	600	17	9	21	12	0.6	29
5	2	420	280	26	13	22	18	0.6	27
5	2	480	320	21	10	21	15	0.6	29
5	2.5	390	260	21	10	21	15	0.6	29
5	2.5	390	260	26	13	22	18	0.6	27
5	3	390	260	21	10	21	15	0.6	29
5	3	390	260	26	13	22	18	0.6	27
5	4	360	240	26	13	22	18	0.6	27
5	5	300	200	26	13	27	18	0.6	29
7.5	0.1	4500	3000	19.5	7	14	10	0.5	27
7.5	0.33	2700	1800	25	9	15	13.5	0.6	29
7.5	0.7	1350	900	25	9	21	13.5	0.6	29
7.5	1	1350	900	25	9	21	13.5	0.6	29
7.5	1.5	585	390	31	10	21	16	0.6	27
7.5	1.5	630	420	39	13	22	21	0.6	29
7.5	2	585	390	31	10	21	16	0.6	29
7.5	3.3	450	300	39	13	27	21	0.6	29

Please visit our website to get more update data, those data & specification are subject to change without notice.