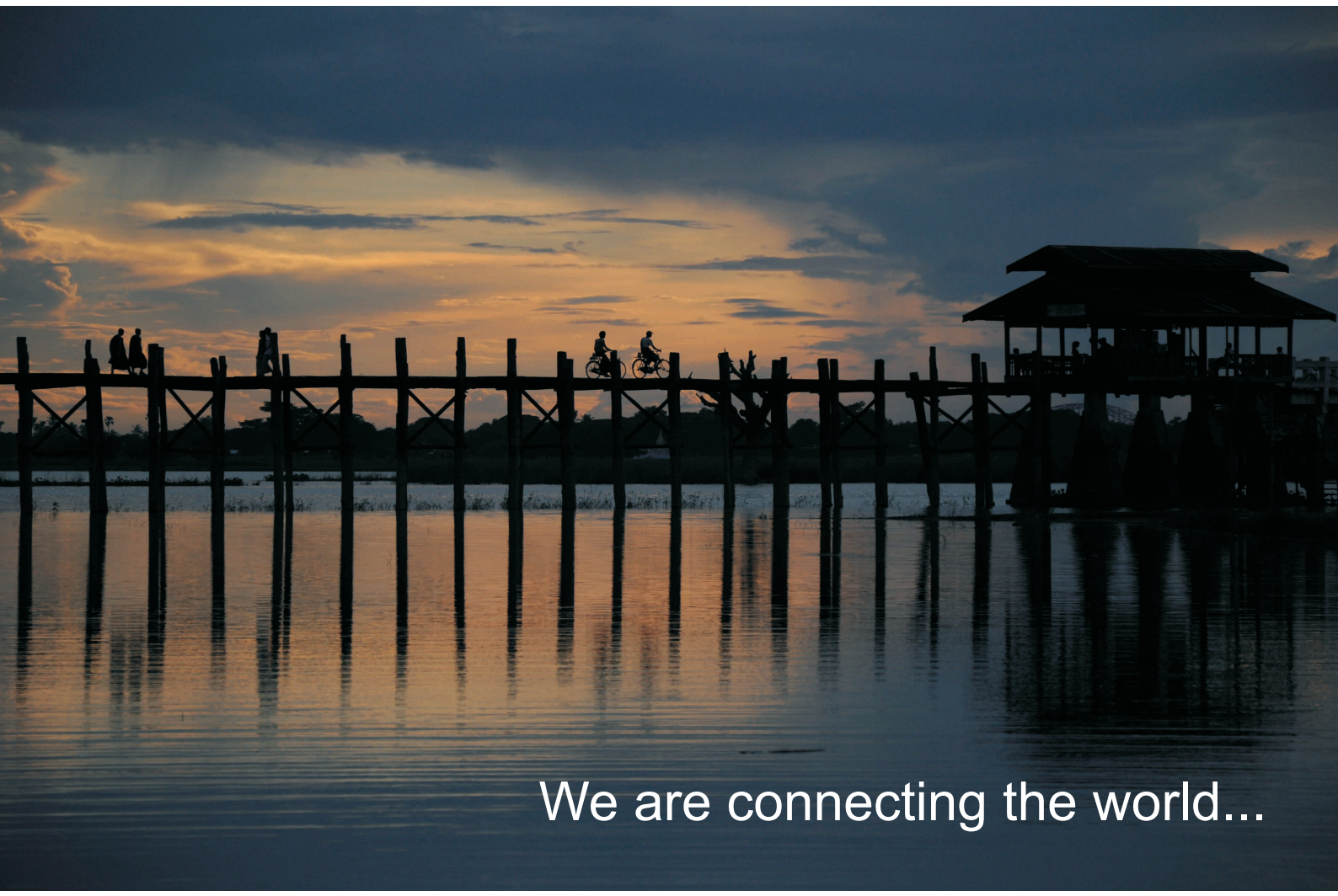


# PLUGGABLE TERMINAL BLOCK GENERAL CATALOGUE

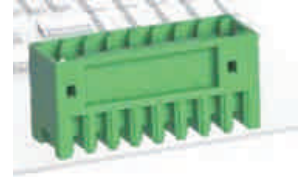
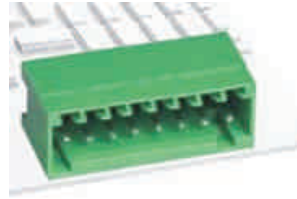
Edition 2014



We are connecting the world...

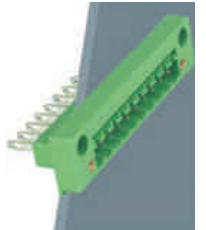
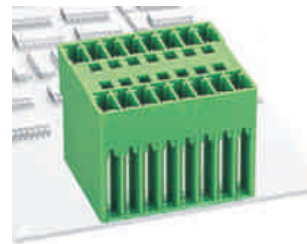
Series C09 - 2,50mm Terminal Block

2



Series C09 - 3,50 and 3,81mm Terminal Block

2-8



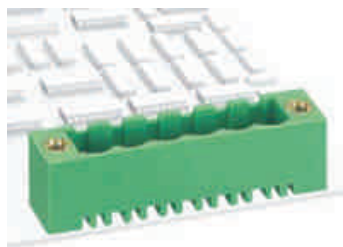
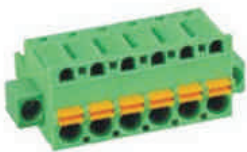
Series C09 - 3,96mm Terminal Block

8-9



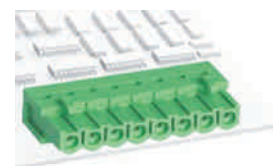
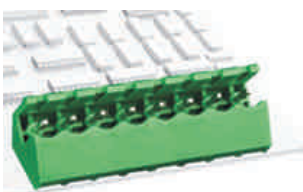
Series C09 - 5,00mm; 5,08mm; 7,50mm and 7,62mm TB

9-14



Series C09 - 5,00mm; special Terminal Block

14-18



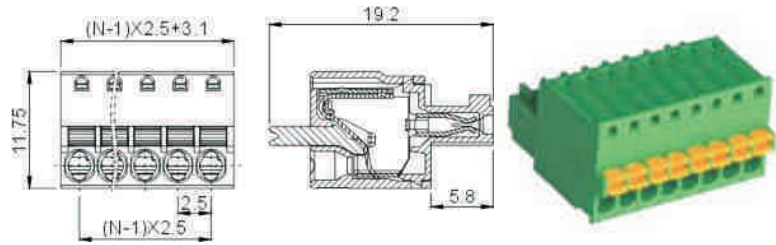
## Series C09 0251 - 2,50 Wire Cage Terminal Block H=11,75mm

### SM C09 0251 (2-24pin)

SM C09 0251 XX C, Contact: Tin, Green

Rated current 5A (VDE), Rated voltage 250V (VDE)  
Ambient temperature: -40°C~+105°C

XX - CONTACT NO: 2-24



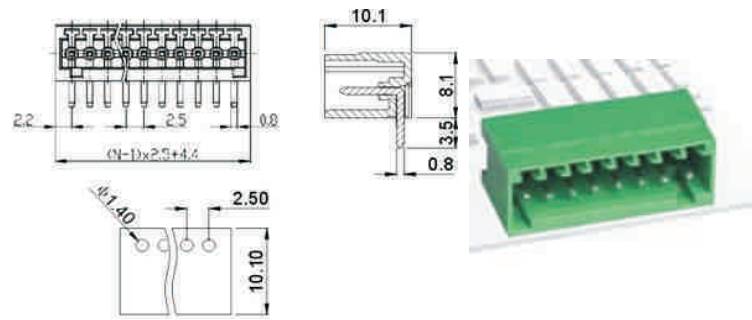
## Series C09 0252 - 2,50mm PCB Right Angle

### SM C09 0252 (2-24pin)

SM C09 0252 XX C, Contact: Tin, Green, Right Angle

Rated current 5A (VDE), Rated voltage 250V (VDE)  
Ambient temperature: -40°C~+105°C

XX - CONTACT NO: 2-24



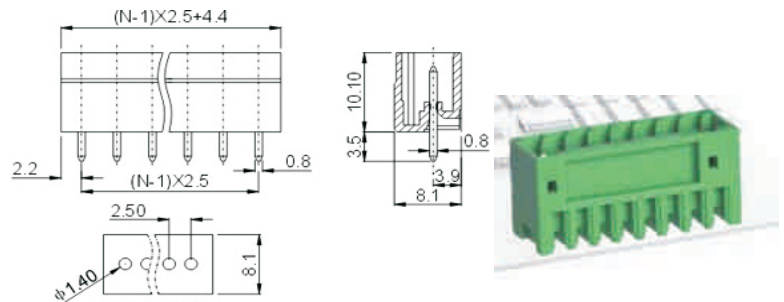
## Series C09 0253 - 2,50mm PCB Straight

### SM C09 0253 (2-24pin)

SM C09 0253 XX C, Contact: Tin, Green, Right Angle

Rated current 5A (VDE), Rated voltage 250V (VDE)  
Ambient temperature: -40°C~+105°C

XX - CONTACT NO: 2-24



## Series C09 0351 - 3,50mm Cage Terminal Block Series C09 0381 - 3,81mm Cage Terminal Block

### SM C09 0351 (2-24pin)

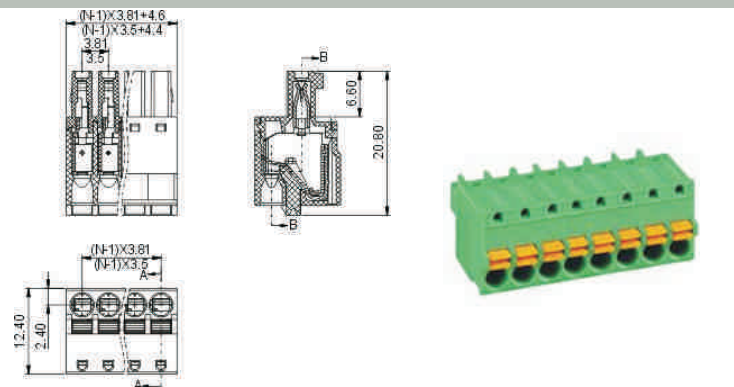
### SM C09 0381 (2-24pin)

SM C09 0351 XX C, Contact: Tin, Green

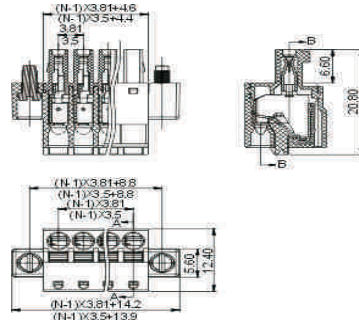
SM C09 0381 XX C, Contact: Tin, Green

Rated current 5A (VDE), Rated voltage 250V (VDE)  
Ambient temperature: -40°C~+105°C

XX - CONTACT NO: 2-24



Series C09 0381 - 3,81mm Cage Terminal Block, Screw  
Series C09 0351 - 3,50mm Cage Terminal Block, Screw

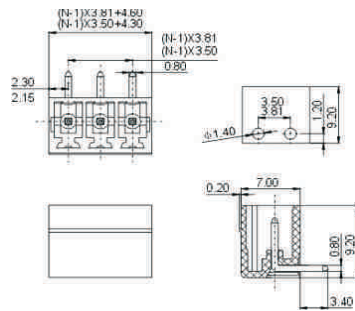
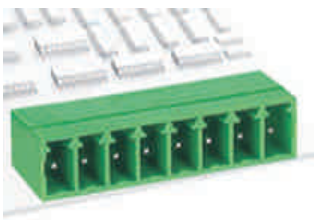


**SM C09 0381 (2-24pin)**  
**SM C09 0351 (2-24pin)**

SM C09 0381 XX SC Contact: Brass+Ni, Green  
SM C09 0351 XX SC Contact: Brass+Ni, Green

XX - CONTACT NO: 2-24

Series C09 0382 - 3,81mm PCB Right Angle  
Series C09 0352 - 3,50mm PCB Right Angle

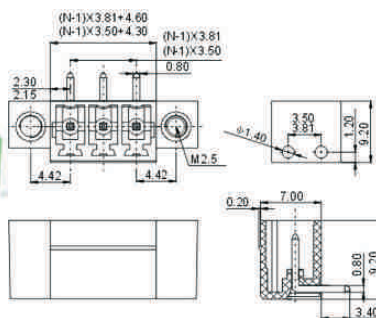


**SM C09 0382 (2-24pin)**  
**SM C09 0352 (2-24pin)**

SM C09 0382 XX ROC, Contact: Brass+Tin, Green  
SM C09 0352 XX ROC, Contact: Brass+Tin, Green

XX - CONTACT NO: 2-24

Series C09 0382 - 3,81mm PCB Right Angle, Screw  
Series C09 0352 - 3,50mm PCB Right Angle, Screw

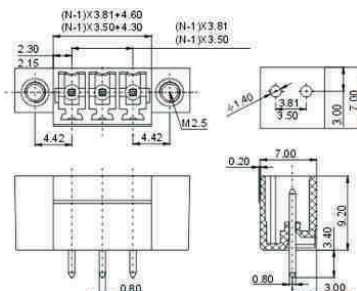
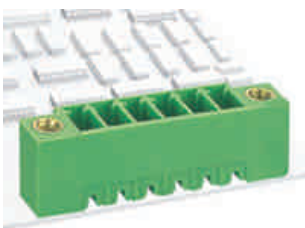


**SM C09 0382 (2-24pin)**  
**SM C09 0352 (2-24pin)**

SM C09 0382 XX RSC, Contact: Brass+Tin, Green  
SM C09 0352 XX RSC, Contact: Brass+Tin, Green

XX - CONTACT NO: 2-24

Series C09 0383 - 3,81mm PCB Straight, Screw  
Series C09 0353 - 3,50mm PCB Straight, Screw



**SM C09 0383 (2-24pin)**  
**SM C09 0353 (2-24pin)**

SM C09 0383 XX SSC Contact: Brass+Tin, Green  
SM C09 0353 XX SSC Contact: Brass+Tin, Green

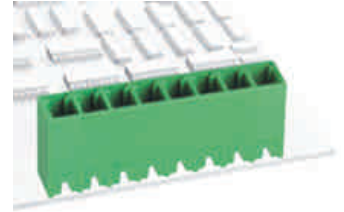
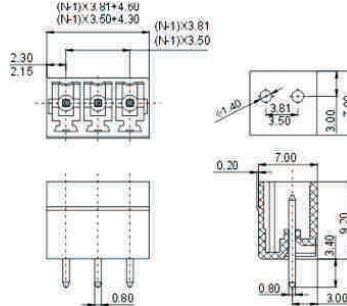
XX - CONTACT NO: 2-24

Series C09 0383 - 3,81mm PCB Straight  
Series C09 0353 - 3,50mm PCB Straight

**SM C09 0383 (2-24pin)**  
**SM C09 0353 (2-24pin)**

SM C09 0383 XX SOC, Contact: Brass+Tin, Green  
SM C09 0353 XX SOC, Contact: Brass+Tin, Green

XX - CONTACT NO: 2-24

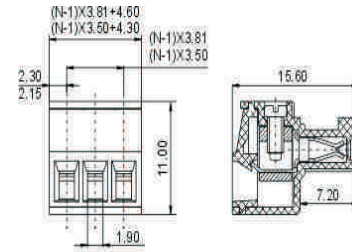


Series C09 0384 - 3,81mm Wire Cage Terminal Block  
Series C09 0354 - 3,50mm Wire Cage Terminal Block

**SM C09 0384 (2-24pin)**  
**SM C09 0354 (2-24pin)**

SM C09 0384 XX YC, Contact: Brass+Tin, Green  
SM C09 0354 XX YC, Contact: Brass+Tin, Green

XX - CONTACT NO: 2-24  
Y - SCREW TYPE: A - Slot „-“; B - Slot „+“

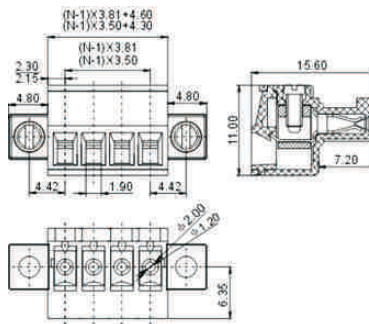


Series C09 0384 - 3,81mm Wire Cage Terminal Block, Screw  
Series C09 0354 - 3,50 mm Wire Cage Terminal Block, Screw

**SM C09 0384 (2-24pin)**  
**SM C09 0354 (2-24pin)**

SM C09 0384 XX YSC, Contact: Brass+Ni, Green  
SM C09 0354 XX YSC, Contact: Brass+Ni, Green

XX - CONTACT NO: 2-24  
Y - SCREW TYPE: A - Slot „-“; B - Slot „+“

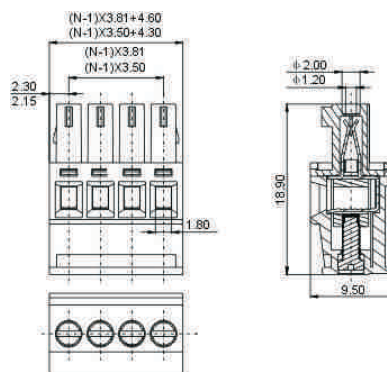


Series C09 0385 - 3,81mm Wire Cage Terminal Block  
Series C09 0355 - 3,50mm Wire Cage Terminal Block

**SM C09 0385 (2-24pin)**  
**SM C09 0355 (2-24pin)**

SM C09 0385 XX YOC, Contact: Brass+Ni, Green  
SM C09 0355 XX YOC, Contact: Brass+Ni, Green

XX - CONTACT NO: 2-24;  
Y - Screw TYPE: A - Slot „-“; B - Slot „+“





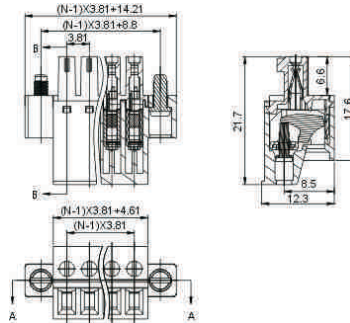
Series C09 0387 - 3,81mm Wire Cage Terminal Block, Screw  
Series C09 0357 - 3,50mm Wire Cage Terminal Block, Screw

## SM C09 0387 (2-24pin) SM C09 0357 (2-24pin)

SM C09 0387 XX SYC, Contact: Brass+Ni, Green  
SM C09 0357 XX SYC, Contact: Brass+Ni, Green

XX - CONTACT NO: 2-24

Y - SCREW TYPE: A - Slot „-“; B - Slot „+“

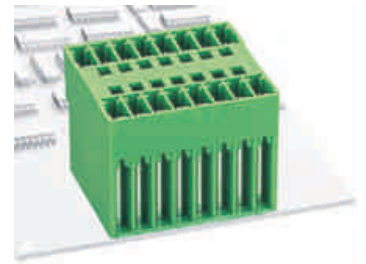
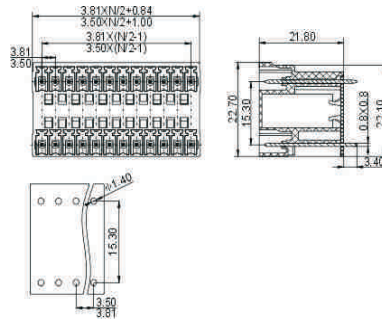


Series C09 0388 - 3,81mm PCB Straight  
Series C09 0358 - 3,50mm PCB Straight

## SM C09 0388 (2-24pin) SM C09 0358 (2-24pin)

SM C09 0388 XX SOC, Contact: Brass+Tin, Green  
SM C09 0358 XX SOC, Contact: Brass+Tin, Green

XX - CONTACT NO: 2-24

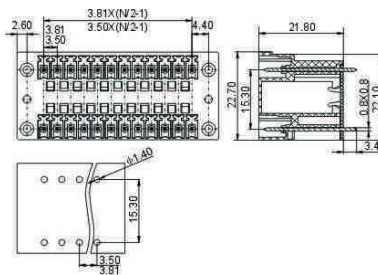


Series C09 0388 - 3,81mm PCB Straight, Screw  
Series C09 0358 - 3,50mm PCB Straight, Screw

## SM C09 0388 (2-24pin) SM C09 0358 (2-24pin)

SM C09 0388 XX SSC Contact: Brass+Tin, Green  
SM C09 0358 XX SSC Contact: Brass+Tin, Green

XX - CONTACT NO: 2-24

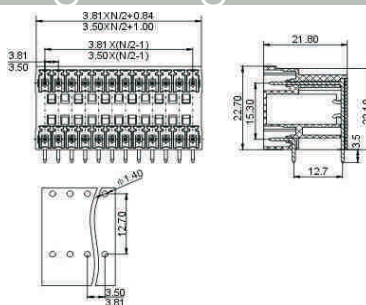


Series C09 0388 - 3,81mm PCB Right Angle  
Series C09 0358 - 3,50mm PCB Right Angle

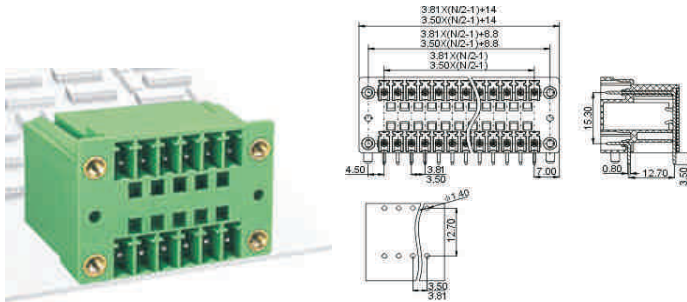
## SM C09 0388 (2-24pin) SM C09 0358 (2-24pin)

SM C09 0388 XX ROC, Contact: Brass+Tin, Green  
SM C09 0358 XX ROC, Contact: Brass+Tin, Green

XX - CONTACT NO: 2-24



Series C09 0388 - 3,81mm PCB Right Angle, Screw  
Series C09 0358 - 3,50mm PCB Right Angle, Screw

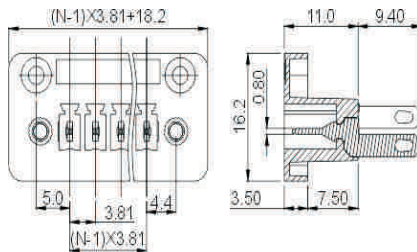


## SM C09 0388 (2-24pin) SM C09 0358 (2-24pin)

SM C09 0388 XX RSC, Contact: Brass+Tin, Green  
SM C09 0358 XX RSC, Contact: Brass+Tin, Green

XX - CONTACT NO: 2-24

Series C09 03811 - 3,81mm Wire Cage Terminal Block, Screw

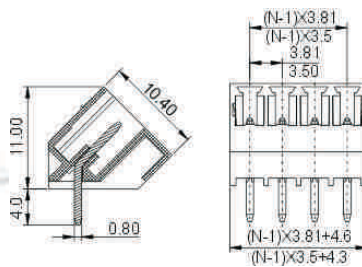
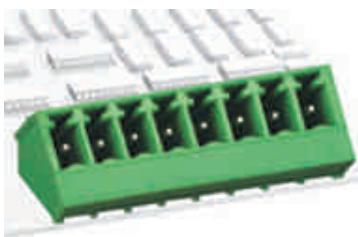


## SM C09 03811 (2-24pin)

SM C09 03811 XX SC, Contact: Brass+Tin, Green

XX - CONTACT NO: 2-24

Series C09 03812 - 3,81mm PCB 45° Angle

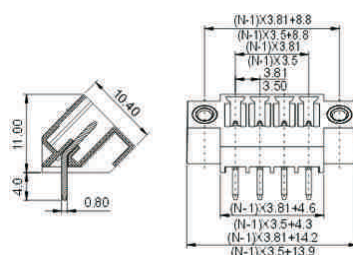
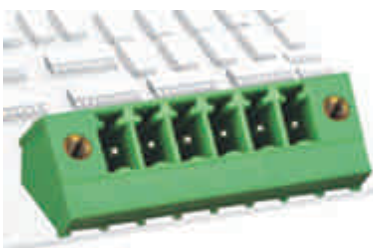


## SM C09 03812 (2-24pin)

SM C09 03812 XX NC Contact: Brass+Tin, Green

XX - CONTACT NO: 2-24

Series C09 03812 - 3,81mm PCB 45° Angle, Screw



## SM C09 03812 (2-24pin)

SM C09 03812 XX SC, Contact: Brass+Tin, Green

XX - CONTACT NO: 2-24



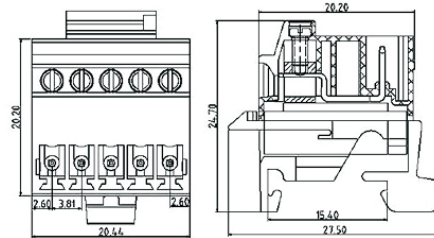
## Series C09 03815 - 3,81mm PCB 45° Angle

### SM C09 03815 (2-24pin)

SM C09 03815 XX NYC, Contact: Brass+Ni, Green

XX - CONTACT NO: 2-24

Y - SCREW TYPE: A - Slot „-“; B - Slot „+“



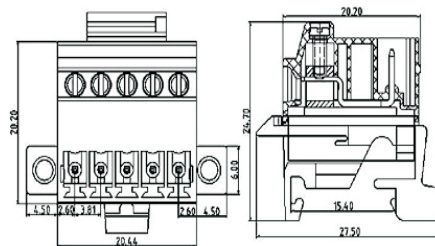
## Series C09 03815 - 3,81mm Wire Cage Terminal Block, Screw

### SM C09 03815 (2-24pin)

SM C09 03815 XX SYC, Contact: Brass+Ni, Green

XX - CONTACT NO: 2-24

Y - SCREW TYPE: A - Slot „-“; B - Slot „+“

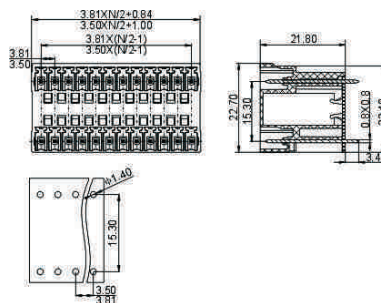


## Series C09 0392 - 3,96mm PCB Right Angle

### SM C09 0392 (2-24pin)

SM C09 0392 XX ROC Contact: Brass,Tin , Green  
Rated current 5A (VDE)

XX - CONTACT NO: 2-24

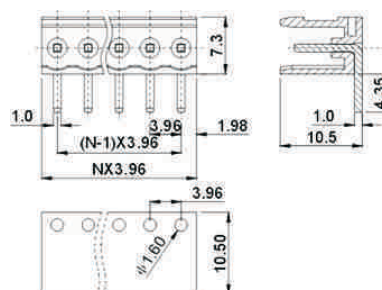


## Series C09 0393 - 3,96mm PCB Straight

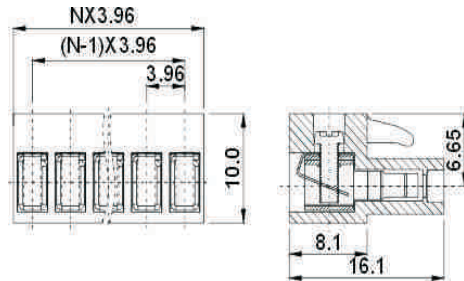
### SM C09 0393 (2-24pin)

SM C09 0393 XX SOC, Contact: Brass+Tin, Green

XX - CONTACT NO: 2-24



## Series C09 0394 - 3,96mm Wire Cage Terminal Block



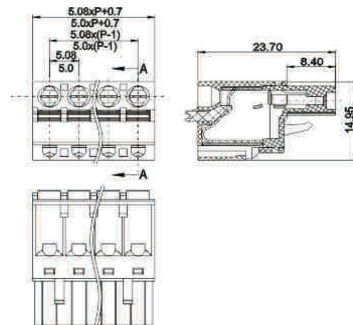
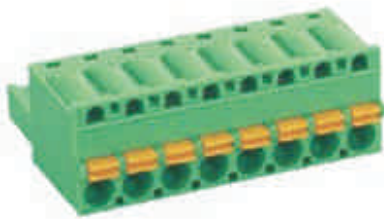
### SM C09 0394 (2-24pin)

SM C09 0394 XX NYC, Contact: Brass+Ni, Green

XX - CONTACT NO: 2-24

Y - SCREW TYPE: A - Slot „-“; B - Slot „+“

- Series C09 0501 - 5,00mm Wire Cage Terminal Block
- Series C09 0581 - 5,08mm Wire Cage Terminal Block
- Series C09 0751 - 7,50mm Wire Cage Terminal Block
- Series C09 0761 - 7,62mm Wire Cage Terminal Block



### SM C09 0501 (2-24pin)

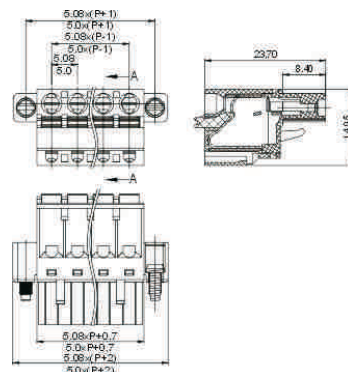
### SM C09 0581 (2-24pin)

### SM C09 0751 (2-24pin)

### SM C09 0761 (2-24pin)

SM C09 0501 XX OC Contact: Brass+Ni, Green  
 SM C09 0581 XX OC Contact: Brass+Ni, Green  
 SM C09 0751 XX OC Contact: Brass+Ni, Green  
 SM C09 0761 XX OC Contact: Brass+Ni, Green  
 Rated current 20A (VDE), Rated voltage 320V (VDE)  
 XX - CONTACT NO: 2-24

- Series C09 0501 - 5,00mm Wire Cage Terminal Block, Screw
- Series C09 0581 - 5,08mm Wire Cage Terminal Block, Screw
- Series C09 0751 - 7,50mm Wire Cage Terminal Block, Screw
- Series C09 0761 - 7,62mm Wire Cage Terminal Block, Screw



### SM C09 0501 (2-24pin)

### SM C09 0581 (2-24pin)

### SM C09 0751 (2-24pin)

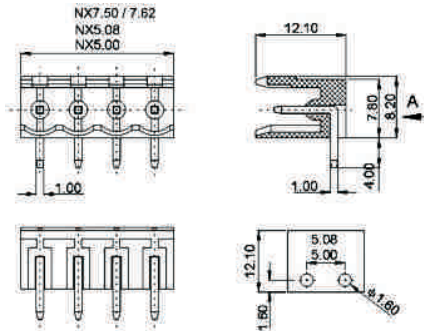
### SM C09 0761 (2-24pin)

SM C09 0501 XX SC, Contact: Brass+Ni, Green  
 SM C09 0581 XX SC, Contact: Brass+Ni, Green  
 SM C09 0751 XX SC, Contact: Brass+Ni, Green  
 SM C09 0761 XX SC, Contact: Brass+Ni, Green  
 XX - CONTACT NO: 2-24

Series C09 0502 - 5,00mm PBC Right Angle  
 Series C09 0582 - 5,08mm PBC Right Angle  
 Series C09 0752 - 7,50mm PBC Right Angle  
 Series C09 0762 - 7,62mm PBC Right Angle

- SM C09 0502 (2-24pin)
- SM C09 0582 (2-24pin)
- SM C09 0752 (2-24pin)
- SM C09 0762 (2-24pin)

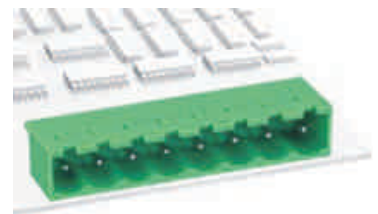
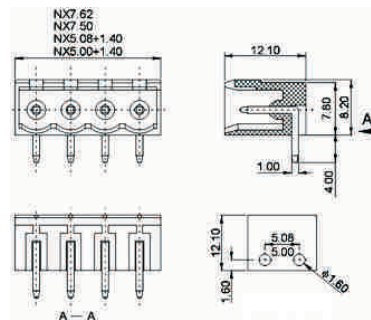
SM C09 0502 XX RNC Contact: Brass+Tin, Green  
 SM C09 0582 XX RNC Contact: Brass+Tin, Green  
 SM C09 0752 XX RNC Contact: Brass+Tin, Green  
 SM C09 0762 XX RNC Contact: Brass+Tin, Green  
 XX - CONTACT NO: 2-24



Series C09 0502 - 5,00mm PBC Right Angle  
 Series C09 0582 - 5,08mm PBC Right Angle  
 Series C09 0752 - 7,50mm PBC Right Angle  
 Series C09 0762 - 7,62mm PBC Right Angle

- SM C09 0502 (2-24pin)
- SM C09 0582 (2-24pin)
- SM C09 0752 (2-24pin)
- SM C09 0762 (2-24pin)

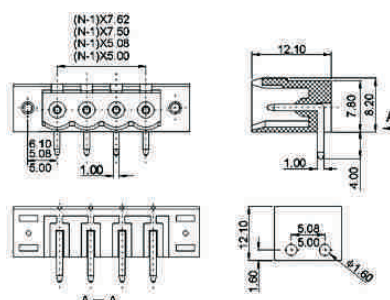
SM C09 0502 XX ROC, Contact: Brass+Tin, Green  
 SM C09 0582 XX ROC, Contact: Brass+Tin, Green  
 SM C09 0752 XX ROC, Contact: Brass+Tin, Green  
 SM C09 0762 XX ROC, Contact: Brass+Tin, Green  
 XX - CONTACT NO: 2-24



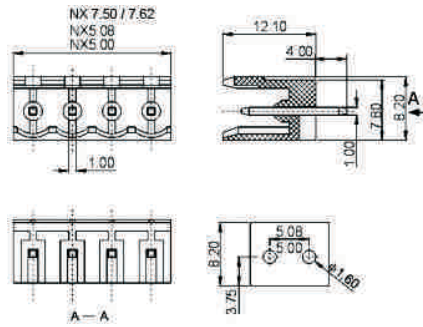
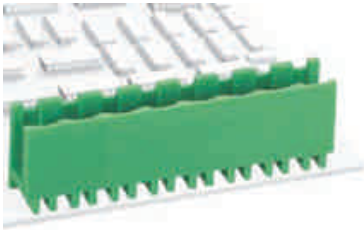
Series C09 0502 - 5,00mm PBC Right Angle, Screw  
 Series C09 0582 - 5,08mm PBC Right Angle, Screw  
 Series C09 0752 - 7,50mm PBC Right Angle, Screw  
 Series C09 0762 - 7,62mm PBC Right Angle, Screw

- SM C09 0502 (2-24pin)
- SM C09 0582 (2-24pin)
- SM C09 0752 (2-24pin)
- SM C09 0762 (2-24pin)

SM C09 0502 XX RSC, Contact: Brass+Tin, Green  
 SM C09 0582 XX RSC, Contact: Brass+Tin, Green  
 SM C09 0752 XX RSC, Contact: Brass+Tin, Green  
 SM C09 0762 XX RSC, Contact: Brass+Tin, Green  
 XX - CONTACT NO: 2-24



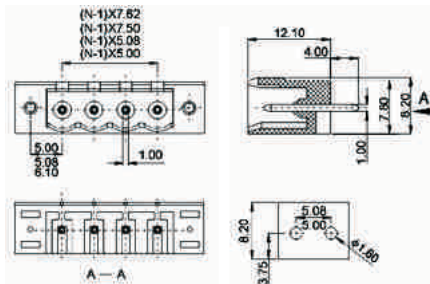
Series C09 0503 - 5,00mm PBC Straight  
 Series C09 0583 - 5,08mm PBC Straight  
 Series C09 0753 - 7,50mm PBC Straight  
 Series C09 0753 - 7,62mm PBC Straight



**SM C09 0503 (2-24pin)**  
**SM C09 0583 (2-24pin)**  
**SM C09 0753 (2-24pin)**  
**SM C09 0763 (2-24pin)**

SM C09 0503 XX SNC Contact: Brass+Tin, Green  
 SM C09 0583 XX SNC Contact: Brass+Tin, Green  
 SM C09 0753 XX SNC Contact: Brass+Tin, Green  
 SM C09 0763 XX SNC Contact: Brass+Tin, Green  
 XX - CONTACT NO: 2-24

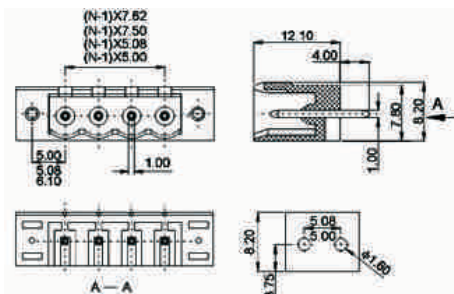
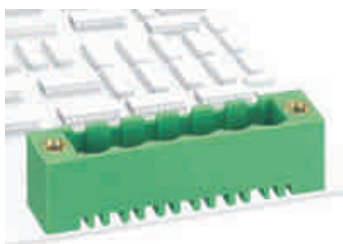
Series C09 0503 - 5,00mm PBC Straight  
 Series C09 0583 - 5,08mm PBC Straight  
 Series C09 0753 - 7,50mm PBC Straight  
 Series C09 0763 - 7,62mm PBC Straight



**SM C09 0503 (2-24pin)**  
**SM C09 0583 (2-24pin)**  
**SM C09 0753 (2-24pin)**  
**SM C09 0763 (2-24pin)**

SM C09 0503 XX SOC, Contact: Brass+Tin, Green  
 SM C09 0583 XX SOC, Contact: Brass+Tin, Green  
 SM C09 0753 XX SOC, Contact: Brass+Tin, Green  
 SM C09 0763 XX SOC, Contact: Brass+Tin, Green  
 XX - CONTACT NO: 2-24

Series C09 0503 - 5,00mm PBC Straight, Screw  
 Series C09 0583 - 5,08mm PBC Straight, Screw  
 Series C09 0753 - 7,50mm PBC Straight, Screw  
 Series C09 0763 - 7,62mm PBC Straight, Screw



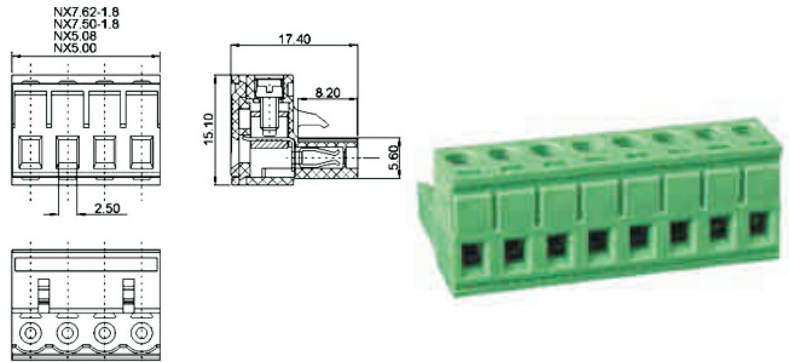
**SM C09 0503 (2-24pin)**  
**SM C09 0583 (2-24pin)**  
**SM C09 0753 (2-24pin)**  
**SM C09 0763 (2-24pin)**

SM C09 0503 XX SSC, Contact: Brass+Tin, Green  
 SM C09 0583 XX SSC, Contact: Brass+Tin, Green  
 SM C09 0753 XX SSC, Contact: Brass+Tin, Green  
 SM C09 0763 XX SSC, Contact: Brass+Tin, Green  
 XX - CONTACT NO: 2-24

Series C09 0504 - 5,00mm Wire Cage Terminal Block  
 Series C09 0584 - 5,08mm Wire Cage Terminal Block  
 Series C09 0754 - 7,50mm Wire Cage Terminal Block  
 Series C09 0764 - 7,62mm Wire Cage Terminal Block

- SM C09 0504 (2-24pin)
- SM C09 0584 (2-24pin)
- SM C09 0754 (2-24pin)
- SM C09 0764 (2-24pin)

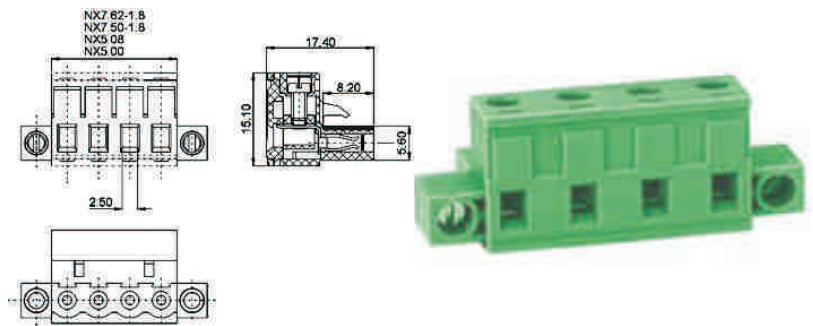
SM C09 0504 XX YOC Contact: Brass+Ni, Green  
 SM C09 0584 XX YOC Contact: Brass+Ni, Green  
 SM C09 0754 XX YOC Contact: Brass+Ni, Green  
 SM C09 0764 XX YOC Contact: Brass+Ni, Green  
 XX - CONTACT NO: 2-24  
 Y - SCREW TYPE: A - Slot „-“; B - Slot „+“



Series C09 0504 - 5,00mm Wire Cage Terminal Block, Screw  
 Series C09 0584 - 5,08mm Wire Cage Terminal Block, Screw  
 Series C09 0754 - 7,50mm Wire Cage Terminal Block, Screw  
 Series C09 0764 - 7,62mm Wire Cage Terminal Block, Screw

- SM C09 0504 (2-24pin)
- SM C09 0584 (2-24pin)
- SM C09 0754 (2-24pin)
- SM C09 0764 (2-24pin)

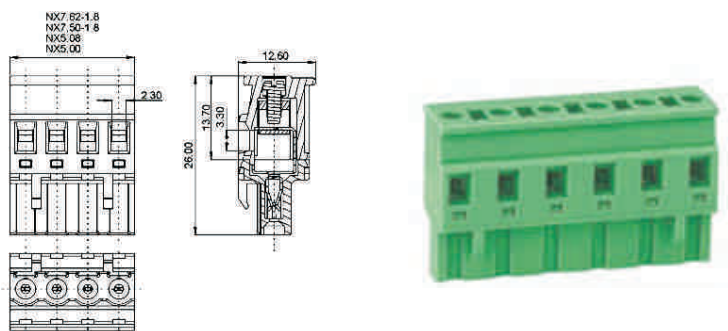
SM C09 0504 XX YSC, Contact: Brass+Ni, Green  
 SM C09 0584 XX YSC, Contact: Brass+Ni, Green  
 SM C09 0754 XX YSC, Contact: Brass+Ni, Green  
 SM C09 0764 XX YSC, Contact: Brass+Ni, Green  
 XX - CONTACT NO: 2-24  
 Y - SCREW TYPE: A - Slot „-“; B - Slot „+“



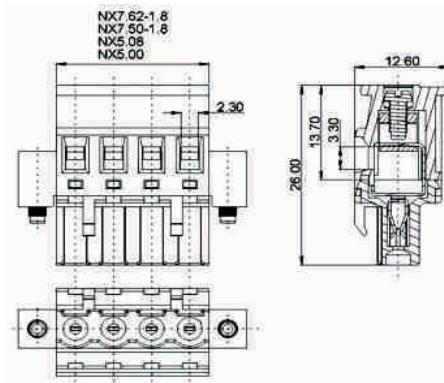
Series C09 0505 - 5,00mm Wire Cage Terminal Block  
 Series C09 0585 - 5,08mm Wire Cage Terminal Block  
 Series C09 0755 - 7,50mm Wire Cage Terminal Block  
 Series C09 0765 - 7,62mm Wire Cage Terminal Block

- SM C09 0505 (2-24pin)
- SM C09 0585 (2-24pin)
- SM C09 0755 (2-24pin)
- SM C09 0765 (2-24pin)

SM C09 0505 XX YOC, Contact: Brass+Ni, Green  
 SM C09 0585 XX YOC, Contact: Brass+Ni, Green  
 SM C09 0755 XX YOC, Contact: Brass+Ni, Green  
 SM C09 0765 XX YOC, Contact: Brass+Ni, Green  
 XX - CONTACT NO: 2-24  
 Y - SCREW TYPE: A - Slot „-“; B - Slot „+“



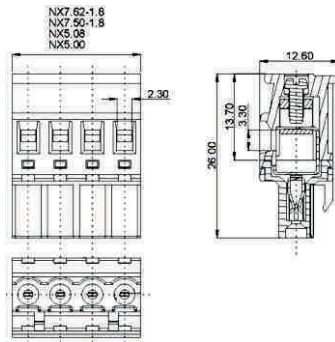
Series C09 0505 - 5,00mm Wire Cage Terminal Block, Screw  
 Series C09 0585 - 5,08mm Wire Cage Terminal Block, Screw  
 Series C09 0755 - 7,50mm Wire Cage Terminal Block, Screw  
 Series C09 0765 - 7,62mm Wire Cage Terminal Block, Screw



**SM C09 0505 (2-24pin)**  
**SM C09 0585 (2-24pin)**  
**SM C09 0755 (2-24pin)**  
**SM C09 0765 (2-24pin)**

SM C09 0505 XX YSC Contact: Brass+Ni, Green  
 SM C09 0585 XX YSC Contact: Brass+Ni, Green  
 SM C09 0755 XX YSC Contact: Brass+Ni, Green  
 SM C09 0765 XX YSC Contact: Brass+Ni, Green  
 XX - CONTACT NO: 2-24  
 Y - SCREW TYPE: A - Slot „-“; B - Slot „+“

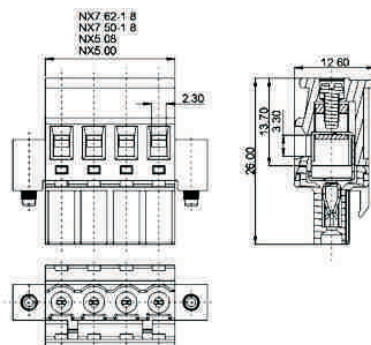
Series C09 0506 - 5,00mm Wire Cage Terminal Block  
 Series C09 0586 - 5,08mm Wire Cage Terminal Block  
 Series C09 0756 - 7,50mm Wire Cage Terminal Block  
 Series C09 0766 - 7,62mm Wire Cage Terminal Block



**SM C09 0506 (2-24pin)**  
**SM C09 0586 (2-24pin)**  
**SM C09 0756 (2-24pin)**  
**SM C09 0766 (2-24pin)**

SM C09 0506 XX YOC, Contact: Brass+Ni, Green  
 SM C09 0586 XX YOC, Contact: Brass+Ni, Green  
 SM C09 0756 XX YOC, Contact: Brass+Ni, Green  
 SM C09 0766 XX YOC, Contact: Brass+Ni, Green  
 XX - CONTACT NO: 2-24  
 Y - SCREW TYPE: A - Slot „-“; B - Slot „+“

Series C09 0506 - 5,00mm Wire Cage Terminal Block, Screw  
 Series C09 0586 - 5,08mm Wire Cage Terminal Block, Screw  
 Series C09 0756 - 7,50mm Wire Cage Terminal Block, Screw  
 Series C09 0766 - 7,62mm Wire Cage Terminal Block, Screw



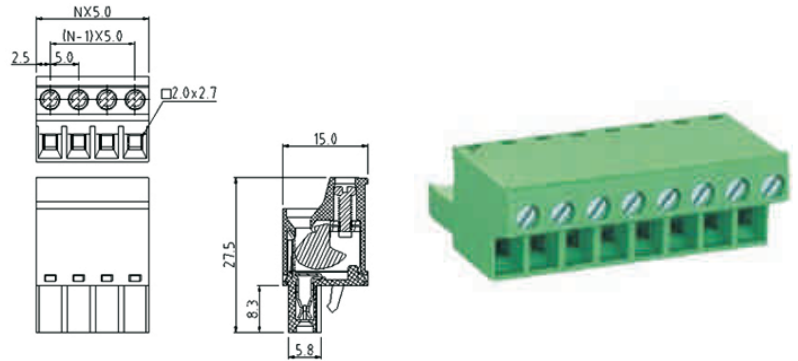
**SM C09 0506 (2-24pin)**  
**SM C09 0586 (2-24pin)**  
**SM C09 0756 (2-24pin)**  
**SM C09 0766 (2-24pin)**

SM C09 0506 XX YSC, Contact: Brass+Ni, Green  
 SM C09 0586 XX YSC, Contact: Brass+Ni, Green  
 SM C09 0756 XX YSC, Contact: Brass+Ni, Green  
 SM C09 0766 XX YSC, Contact: Brass+Ni, Green  
 XX - CONTACT NO: 2-24  
 Y - SCREW TYPE: A - Slot „-“; B - Slot „+“

Series C09 0507 - 5,00mm Wire Cage Terminal Block  
 Series C09 0587 - 5,08mm Wire Cage Terminal Block  
 Series C09 0757 - 7,50mm Wire Cage Terminal Block  
 Series C09 0767 - 7,62mm Wire Cage Terminal Block

**SM C09 0507 (2-24pin)**  
**SM C09 0587 (2-24pin)**  
**SM C09 0757 (2-24pin)**  
**SM C09 0767 (2-24pin)**

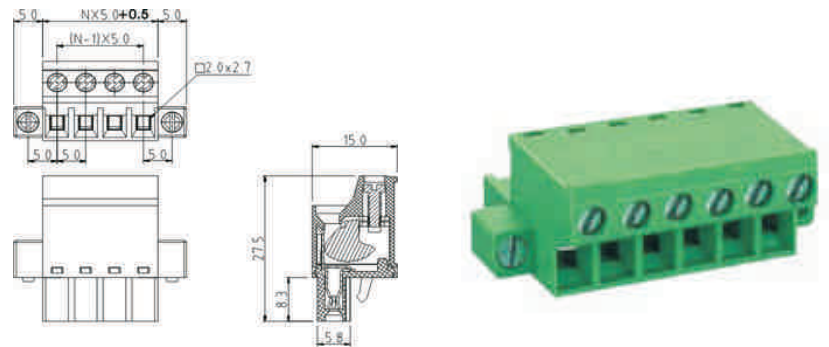
SM C09 0507 XX YOC Contact: Brass+Ni, Green  
 SM C09 0587 XX YOC Contact: Brass+Ni, Green  
 SM C09 0757 XX YOC Contact: Brass+Ni, Green  
 SM C09 0767 XX YOC Contact: Brass+Ni, Green  
 XX - CONTACT NO: 2-24  
 Y - SCREW TYPE: A - Slot „-“; B - Slot „+“



Series C09 0507 - 5,00mm Wire Cage Terminal Block, Screw  
 Series C09 0587 - 5,08mm Wire Cage Terminal Block, Screw  
 Series C09 0757 - 7,50mm Wire Cage Terminal Block, Screw  
 Series C09 0767 - 7,62mm Wire Cage Terminal Block, Screw

**SM C09 0507 (2-24pin)**  
**SM C09 0587 (2-24pin)**  
**SM C09 0757 (2-24pin)**  
**SM C09 0767 (2-24pin)**

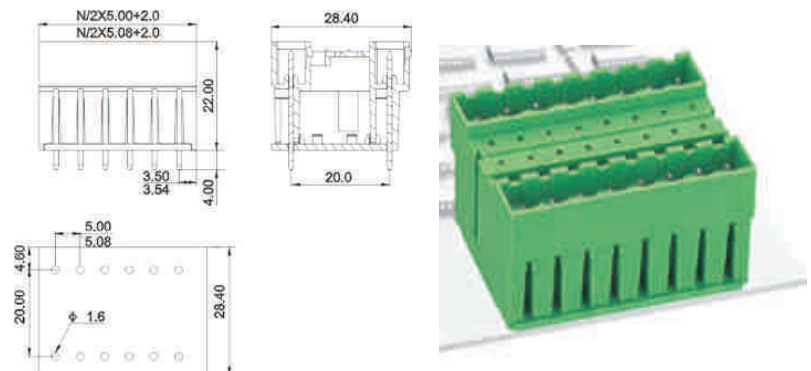
SM C09 0507 XX SYC, Contact: Brass+Ni, Green  
 SM C09 0587 XX SYC, Contact: Brass+Ni, Green  
 SM C09 0757 XX SYC, Contact: Brass+Ni, Green  
 SM C09 0767 XX SYC, Contact: Brass+Ni, Green  
 XX - CONTACT NO: 2-24  
 Y - SCREW TYPE: A - Slot „-“; B - Slot „+“



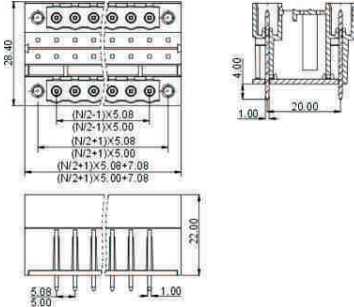
Series C09 0508 - 5,00mm PCB Straight

**SM C09 0508 (2-24pin)**

SM C09 0507 XX SOC, Contact: Brass+Tin, Green  
 XX - CONTACT NO: 2-24



## Series C09 0508 - 5,00mm PCB Straight, Screw

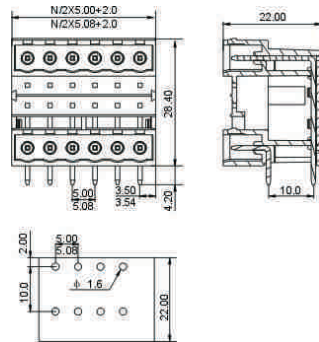


### SM C09 0508 (2-24pin)

SM C09 0508 XX SSC, Contact: Brass+Tin, Green

XX - CONTACT NO: 2-24

## Series C09 0508 - 5,00mm PCB Right Angle

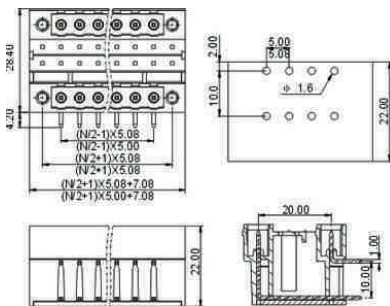


### SM C09 0508 (2-24pin)

SM C09 0508 XX ROC, Contact: Brass+Tin, Green

XX - CONTACT NO: 2-24

## Series C09 0508 - 5,00mm PCB Right Angle, Screw

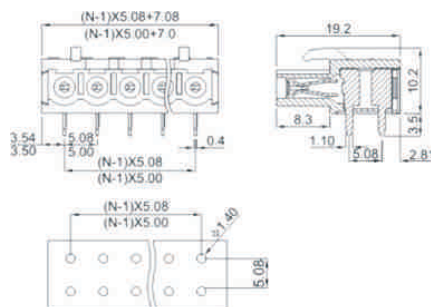
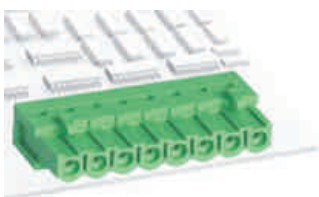


### SM C09 0508 (2-24pin)

SM C09 0508 XX RSC Contact: Brass+Tin, Green

XX - CONTACT NO: 2-24

## Series C09 0509 - 5,00mm PCB Right Angle



### SM C09 0509 (2-24pin)

SM C09 0509 XX RNC, Contact: Brass+Tin, Green

XX - CONTACT NO: 2-24

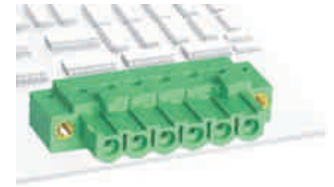
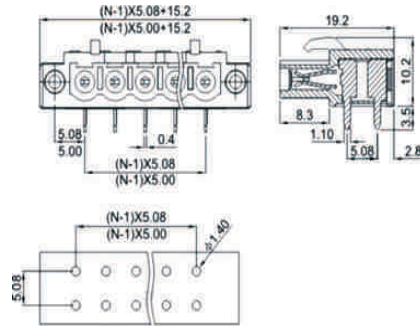


## Series C09 0509 - 5,00mm PCB Right Angle, Screw

### SM C09 0509 (2-24pin)

SM C09 0509 XX RSC, Contact: Brass+Tin, Green

XX - CONTACT NO: 2-24

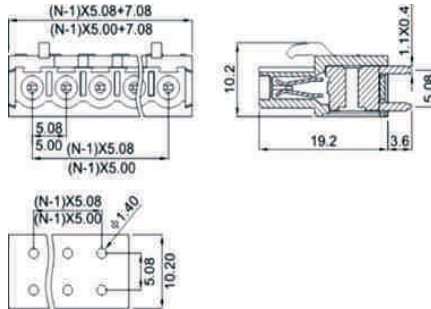


## Series C09 0509 - 5,00mm PCB Straight

### SM C09 0509 (2-24pin)

SM C09 0509 XX SNC, Contact: Brass+Tin, Green

XX - CONTACT NO: 2-24

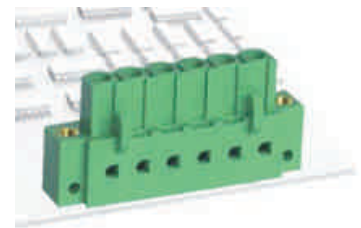
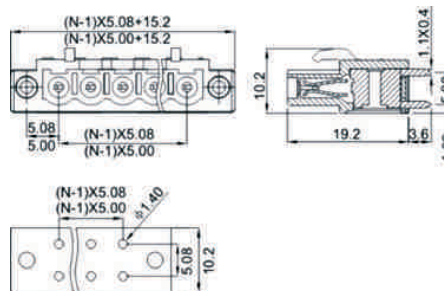


## Series C09 0509 - 5,00mm PCB Straight, Screw

### SM C09 0509 (2-24pin)

SM C09 0509 XX SSC Contact: Brass+Tin, Green

XX - CONTACT NO: 2-24

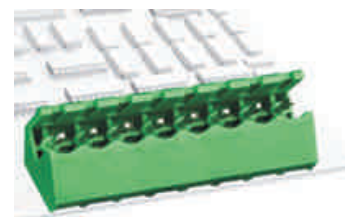
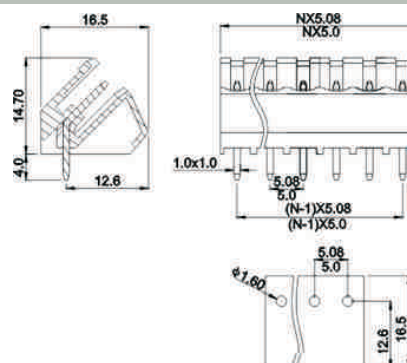


## Series C09 0510 - 5,00mm PCB 45° Angle

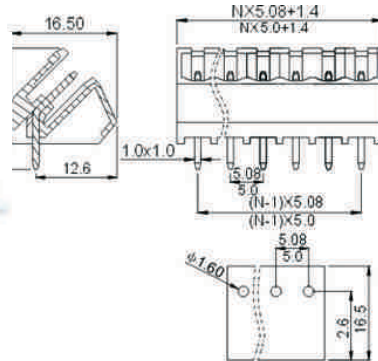
### SM C09 0510 (2-24pin)

SM C09 0510 XX OC, Contact: Brass+Tin, Green

XX - CONTACT NO: 2-24



## Series C09 0510 - 5,00mm PCB 45° Angle

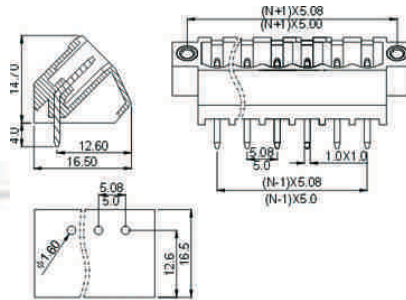


### SM C09 0510 (2-24pin)

SM C09 0510 XX NC, Contact: Brass+Tin, Green

XX - CONTACT NO: 2-24

## Series C09 0510 - 5,00mm PCB 45° Angle, Screw

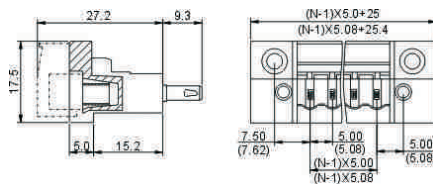


### SM C09 0510 (2-24pin)

SM C09 0510 XX SC, Contact: Brass+Tin, Green

XX - CONTACT NO: 2-24

## Series C09 0511 - 5,00mm PCB Straight

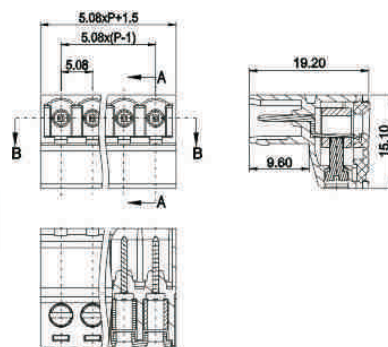


### SM C09 0511 (2-24pin)

SM C09 0511 XX SC Contact: Brass+Tin, Green

XX - CONTACT NO: 2-24

## Series C09 0512 - 5,00mm Wire Cage Terminal Block



### SM C09 0512 (2-24pin)

SM C09 0512 XX NC, Contact: Brass+Ni, Green

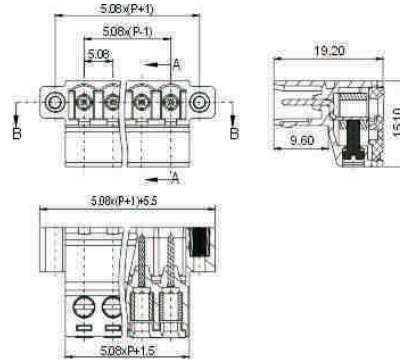
XX - CONTACT NO: 2-24

## Series C09 0512 - 5,00mm Wire Cage Terminal Block, Screw

### SM C09 0512 (2-24pin)

SM C09 0512 XX SC, Contact: Brass+Ni, Green

XX - CONTACT NO: 2-24

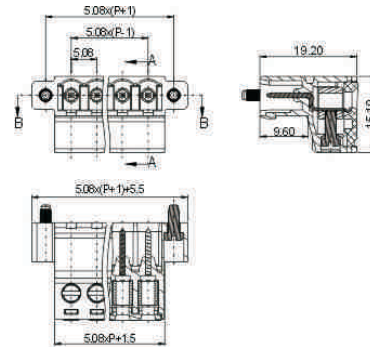


## Series C09 0512 - 5,00mm Wire Cage Terminal Block, Screw

### SM C09 0512 (2-24pin)

SM C09 0512 XX WC, Contact: Brass+Ni, Green

XX - CONTACT NO: 2-24



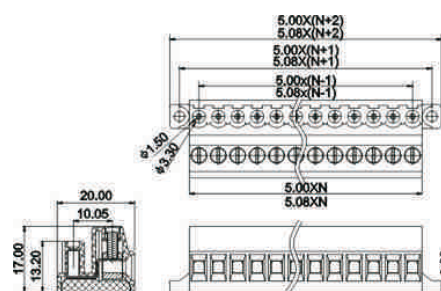
## Series C09 0513 - 5,00mm Wire Cage Terminal Block

### SM C09 0513 (2-24pin)

SM C09 0513 XX YC Contact: Brass+Ni, Green

XX - CONTACT NO: 2-24

Y - SCREW TYPE: A - Slot „-“; B - Slot „+“

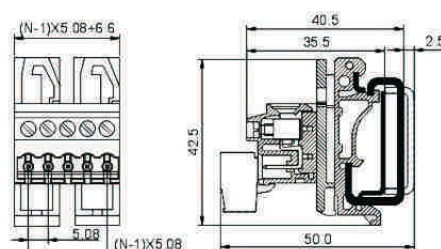


## Series C09 0514 - 5,00mm Wire Cage Terminal Block

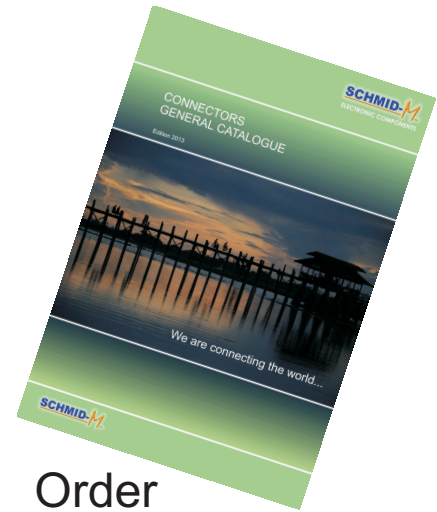
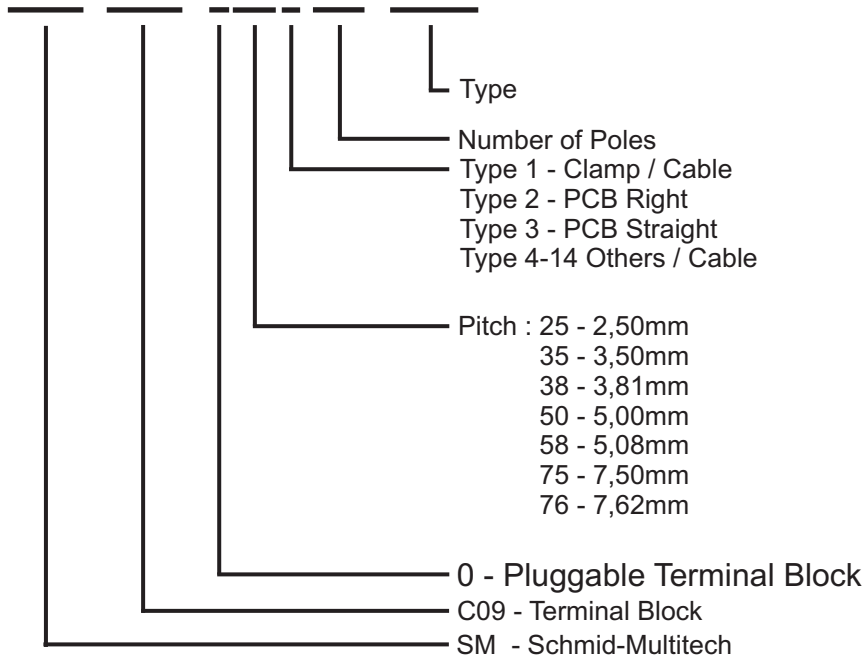
### SM C09 0514 (2-24pin)

SM C09 0514 XX NC, Contact: Brass,Ni, Green

XX - CONTACT NO: 2-24



## SM C09 0251 XX SOC Part Numbering System



Order  
SM Connector  
General Catalogue



**SCHMID-MULTITECH, GmbH**  
Weinbergstraße 60b, 93105 Tegernheim  
Tel.: +49-9403-9510-0  
info@schmid-multitech.de  
www.schmid-multitech.de



**SCHMID-MULTITECH, GmbH**  
Ot Ziemendorf, Dorfstraße 49g  
49-39384-9848-0  
info@schmid-multitech.de  
www.schmid-multitech.de



**ATD Elektronik, s.r.o.**  
Luženice 10, 344 01 Domažlice  
tel.: +420 379 723 915  
info@atd-elektronik.cz  
www.atd-elektronik.cz



**ABC Elektronik Sp. z o.o.**  
ul. Kolejowa 10, 38-300 Gorlice  
tel.: +48 18 353-66-65  
info@abcpol.pl  
www.abcpol.pl



**SCHMID-MULTITECH, s.r.o.**  
Podjavorinskej 5, 911 05 Trenčín  
tel.: +421-32-7 440 186  
mkovacik@smsk.sk  
www.schmid-multitech.sk



**ALFA-ELECTRONIC**  
Kravchenko 22 office 4, UA 04050 Kiev  
tel.: +380 44 484-19-90  
sales@alfacom-ua.net  
www.alfacom-ua.net



**ADMM Kft.**  
Rumi u. 284, H-9700 Szombathely  
tel.: +36-94 510-522  
mail@admm.hu  
www.admm.hu



**ANGIELA ELEKTRONIK SRL**  
Str.Slanic Nr. 1 Ap3, 400413 Cluj-Napoca  
tel.: +42-264-403-284  
info@angiela-elektronik.ro  
www.angiela-elektronik.ro