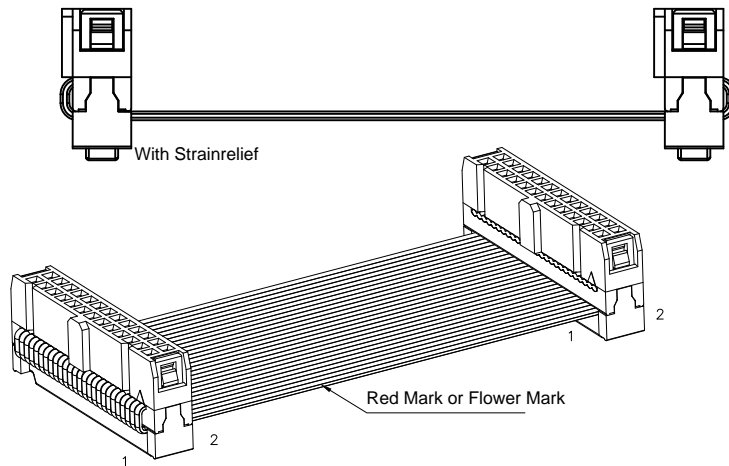


The connector Type is IDC-2.54-xxKGF-A, Matching cable is RC-1.27 Flat Cable, Grey or Rainbow

There are 5 different type of Assembly Style, see below remark:

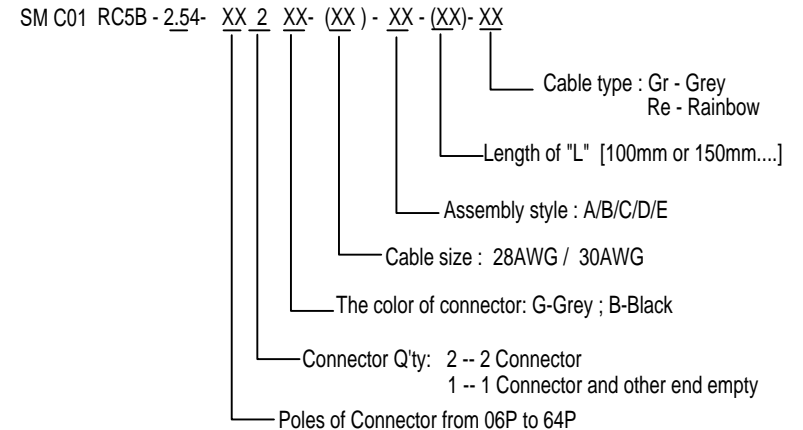
[Type A]



Notes:

1. Electrical Characteristics:
 1. 1 Contact Resistance: 20mΩ Max
 1. 2 Dielectric Withstanding Voltage: 600V AC(rms) for 1 Minute
 1. 3 Insulation Resistance: 1000mΩ Min
 1. 4 Current Rating: 3A
 1. 5 Voltage Rating: 250V AC rms
2. Environment Characteristics:
 2. 1 Temperature: -40°C ~ +105°C
3. Materials:
 3. 1 Contact Materials: Copper Alloy
 3. 2 Contact Plating: Tin or Gold plate
 3. 3 Insulator Materials: PBT, Black, UL94V-0

How to Order:



GENERAL TOLERANCE

X.* ± 5.0°	X. ± 0.30
.X* ± 3.0°	.X ± 0.25
.XX* ± 2.0°	.XX ± 0.15
.XXX* ± 1.0°	.XXX ± 0.10

DESIGN: Walter

CHECK: Vanda

AUDIT: Felsen

APPROVE: Felsen

DATE: 2020.01.28

DATE: 2020.02.02

DATE: 2020.02.02

DATE: 2020.02.02

DWG. NO.:

SM C01 RC5B

PART NO.:

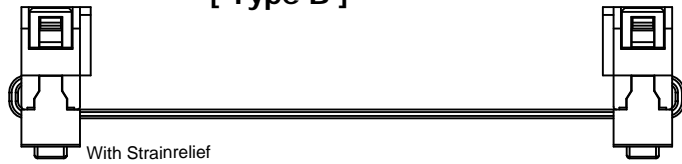
SM C01 RC5B-2.54-XX 2 B-28AWG-X-XXmm-X

TITLE:

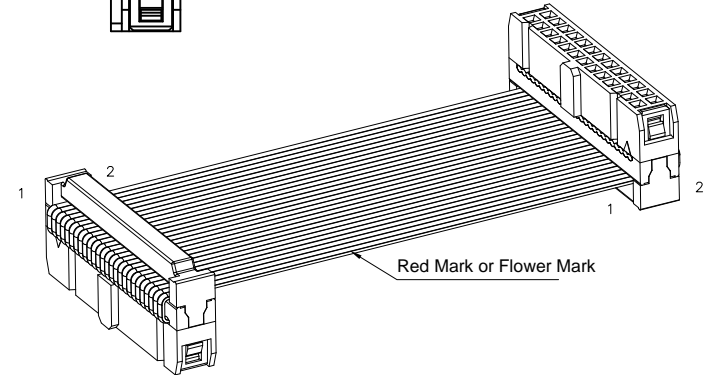
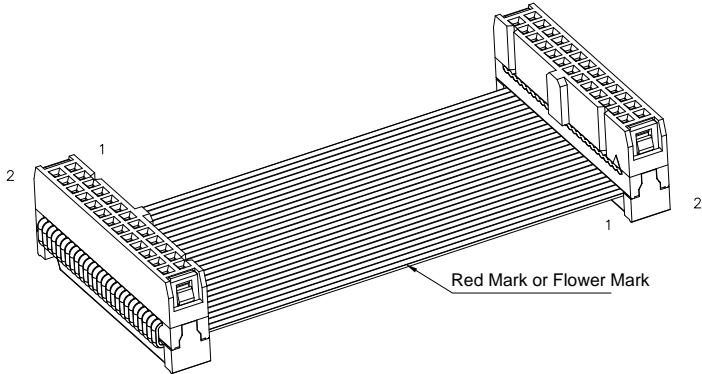
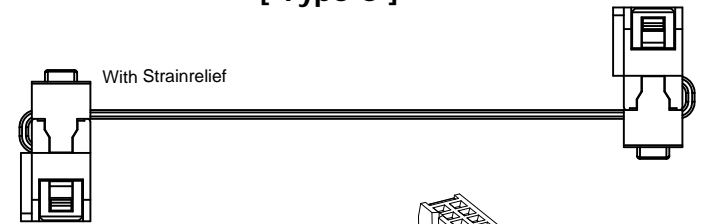
Flat Cable Assembly, Pitch 2.54mm
Connector with Strainrelief

REV.: 01	UNIT.: mm	SCALE.: 1:1	PAGE.: 1/1	
--------------------	---------------------	-----------------------	----------------------	--

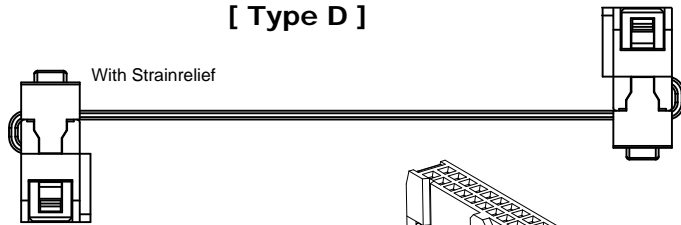
[Type B]



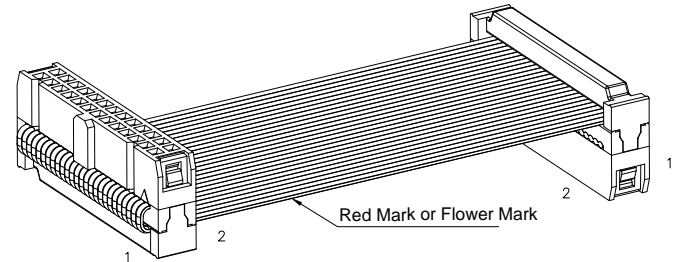
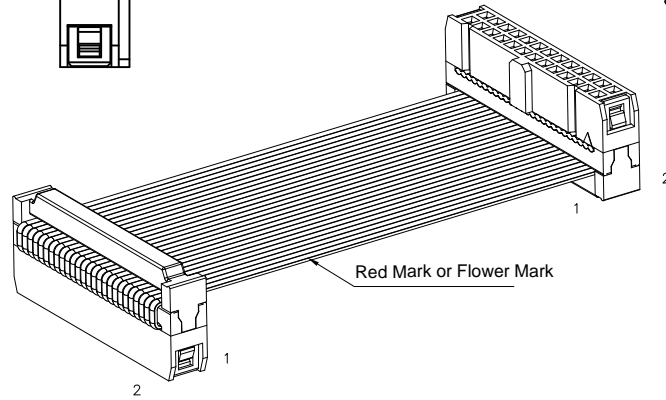
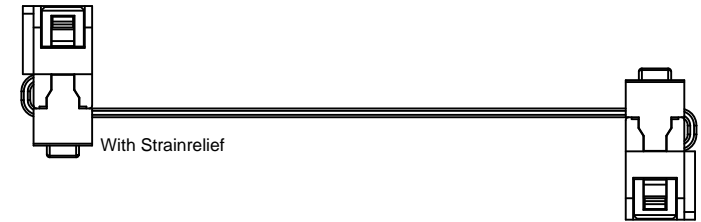
[Type C]



[Type D]



[Type E]



GENERAL TOLERANCE

X.* ± 5.0°	X. ± 0.30
.X* ± 3.0°	.X ± 0.25
.XX* ± 2.0°	.XX ± 0.15
.XXX* ± 1.0°	.XXX ± 0.10

DESIGN: Walter

DATE: 2020.01.28

DWG. NO.: SM C01 RC5B

TITLE:
Flat Cable Assembly, Pitch 2.54mm
Connector with Strainrelief

CHECK: Vanda

DATE: 2020.02.02

PART NO.:
SM C01 RC5B-2,54-XX 2 B-28AWG-X-XXmm-X

AUDIT: Felsen

DATE: 2020.02.02

APPROVE: Felsen

DATE: 2020.02.02

REV.: 01	UNIT.: mm	SCALE.: 1:1	PAGE.: 1/1	
----------	-----------	-------------	------------	--