

1

2

3

4

5

6

7

8

A

B

C

D

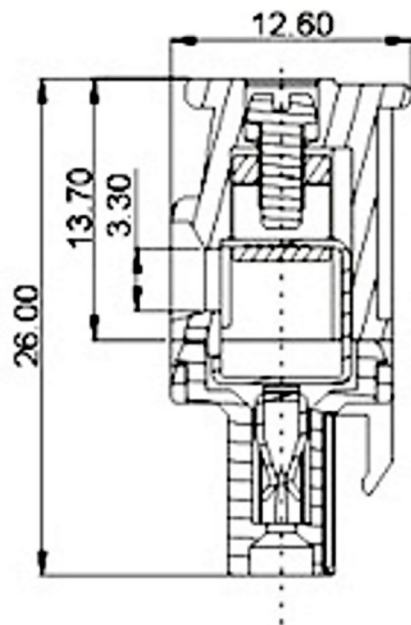
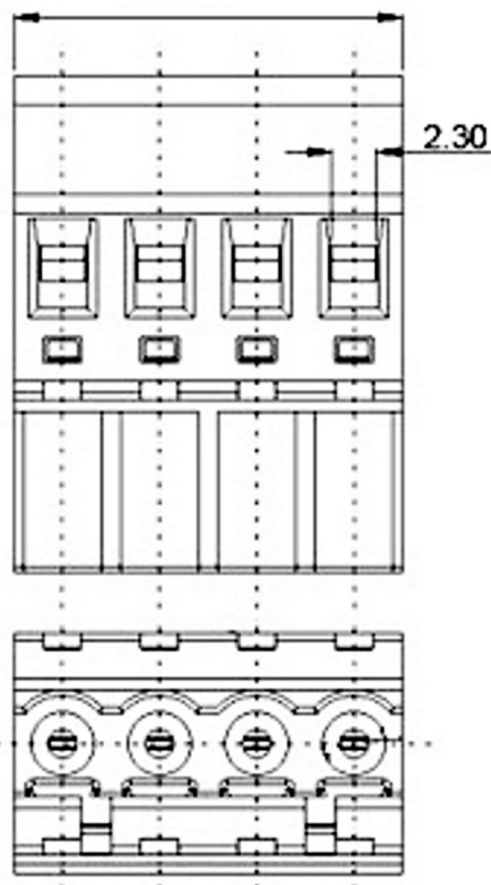
E

F

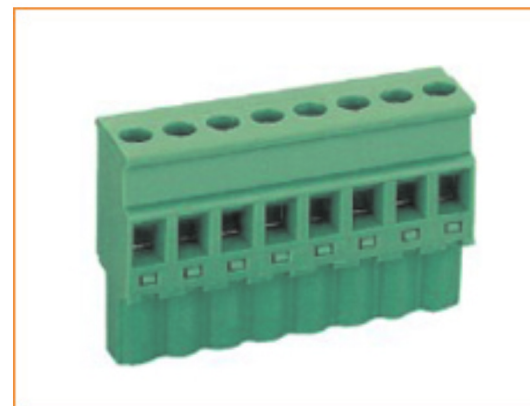
G

H

NX5.08



Standard	UL	VDE
Rated voltage	300V	320V
Rated current	15A	20A
Wire range	28-12AWG	2.5mm ²
Withstanding voltage	AC2500V/1Min	
Ambient temperature	(-)40°C to +105°C	
Strip length	7mm	
Torque	0.4Nm(3.5Lb-In.)	
Pitch	5.00/5.08/7.50/7.62 mm (.197")	
Poles	2P, 3P --- Any Poles	
Housing	PA66, UL94V-0	
Screws	M2.5,steel,Cr ³⁺ + Zn plated	
Contact	Brass, Ni plated	
Wire Cage	Brass, Ni plated	



RoHS Compliant		SCHMID-M	
APPD.	SCAIF	TOLERANCE XX ± 0.25 X ± 0.35 ANG. ±	PART NAME Pluggable Terminal Block Without Fix Screws Pitch 5,08 mm Green XX: No. Poles
DWG. HELGA	UNIT MM	SIZE A 4	PART NO. SM C09 0586 XX YOC
DATE 2013/10	PAGE 1 OF 1	REV. C	

1

2

3

4

5

6

7

8

A

B

C

D

E

F

G

H