

S SERIES

(INDOOR STEPPED INSERT KEYED)



www.atd-shop.com



www.atd-shop.com



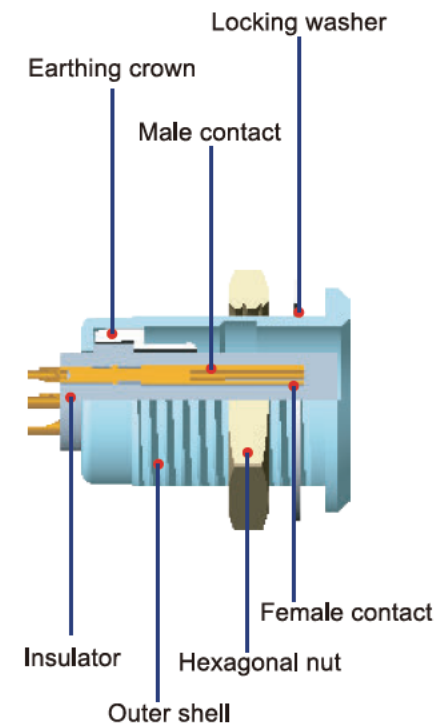
MAIN FEATURES:

1. Security of the push –pull self-latching system
2. Solder or PCB contacts (straight or elbow)
3. High Packing density for space saving
4. Stepped insert keyed to avoid cross mating of similar connectors
5. Polarization by stepped insert fitted with male and female contacts
6. 360° screening for full EMC shielding

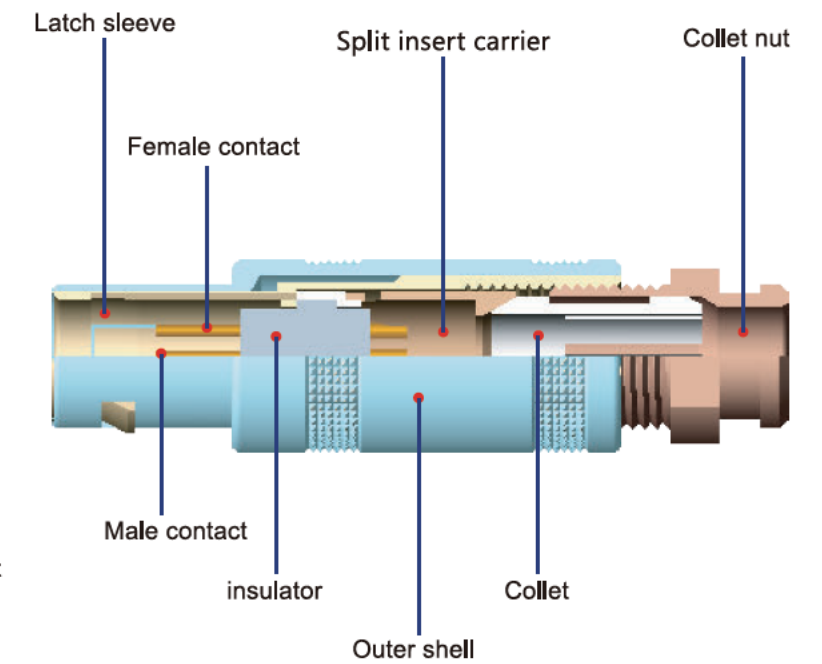
PART SECTION SHOWING INTERNAL COMPONENTS

S series

Fixed socket

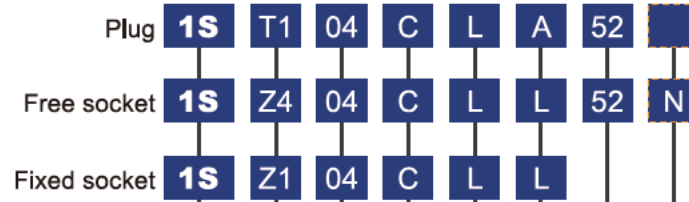


Straight plug



S SERIES

Part Numbering System



1. Series: (Page 60)
2. Housing model: (Page 60)
3. Insert configuration: (Page 63)
4. Housing material
C=Chrome plated brass
K=Black Chrome plated brass
N=Nickel plated brass
T=Stainless steel
L=Aluminium alloy anodized
H=ABS/brass(only for Z11 and Z12 elbow sockets)
5. Insulator material
L=PPS, T=PTFE
6. Contact type
A=Solder male L=Solder female
N=Print female V=Print female 90°
W=Print male 90° D=Print male
7. Cable OD: (Page 80)
8. Bend relief color, blank if without bend relief
N=Black, G=Grey, A=Blue
R=Red, J=Yellow, V=Green: (Page 145)

PART NUMBER EXAMPLE:

Straight plug with cable collet:

1ST104CLA52=1S series straight plug with cable collet, multipole type with 4 contacts, outer shell in chrome plated brass, PPS insulator, 2 male and 2 female solder contacts, collet for 5.0mm diameter cable and with a black bend relief

Free socket:

1SZ404CLL52N =1S series free socket with cable collet, multipole type with 4 contacts, outer shell in chrome plated brass, PPS insulator, 2 male and 2 female solder contacts, collet for 5.0mm diameter cable and with a black bend relief

Fixed socket:

1SZ1G04CLL=1S series fixed socket, nut fixing, multipole type with 4 contacts, outer shell in chrome plated brass, PPS insulator, 2 male and 2 female solder contacts.

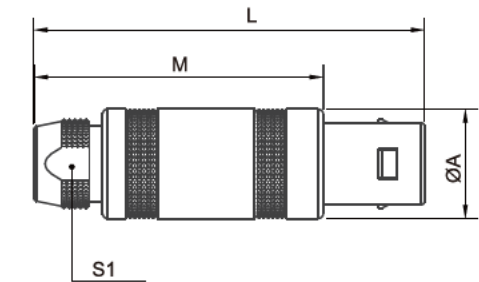
TECHNICAL CHARACTERISTICS

Characteristics	Parameter
Locking Type	push pull self-latching type
Working Temperature	-55°C~ +250°C
Maximum Humidity	up to 95% at 60°/140°F
Shielding Efficiency	75dB(10MHz) 40dB(1GHz)
Resistance to Vibration	15g[10Hz~2000Hz]

Characteristics	Parameter
Salt spray corrosion test	96hr
Shock resistance	100g,6ms
Endurance	5000 cycles
Protection index(mated)	IP50

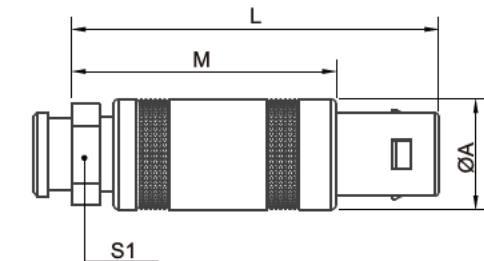
Housing Models

T1 PLUG STRAIGHT PLUG, WITH CABLE COLLET



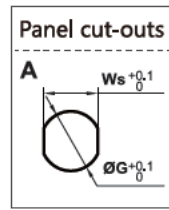
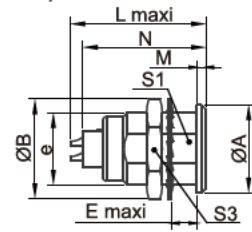
Reference		Dimensions(mm)			
Series	Model	A	L	M	S1
0S	T1	8.8	34.5	24.5	6.5
1S	T1	11.8	42.5	31.5	8.5

T1 PLUG STRAIGHT PLUG, WITH CABLE COLLET AND NUT FOR FITTING A BEND RELIEF



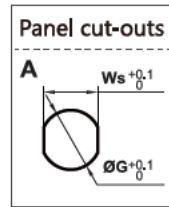
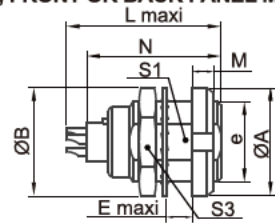
Reference		Dimensions(mm)			
Series	Model	A	L	M	S1
0S	T1	8.5	34.5	24.5	7.3
1S	T1	11.8	39.5	28.5	9

Z1 SOCKET FIXED SOCKET, FRONT PANEL MOUNT, NUT FIXING



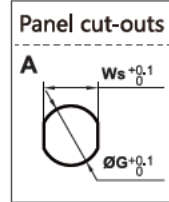
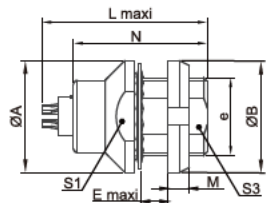
Reference		Dimensions(mm)									Panel cut-outs		
Series	Model	A	B	E	L	M	N	S1	S3	e	Ws	Ø	Type
0S	Z1	10	12.5	7	18	1.2	16	8.2	11	M9*0.5	8.3	9.1	A
1S	Z1	14	16	7.5	22	1.5	19.4	10.5	14	M12*1.0	10.6	12.1	A

Z2 SOCKET FIXED SOCKET WITH TWO NUTS, FRONT OR BACK PANEL MOUNT



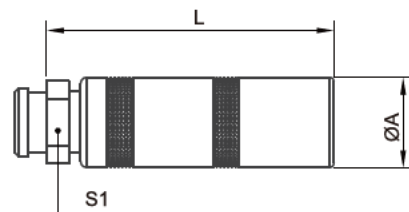
Reference		Dimensions(mm)									Panel cut-outs		
Series	Model	A	B	E	L	M	N	S1	S3	e	Ws	Ø	Type
0S	Z2	12	12.5	5.5	18	2.5	16.0	8.2	11	M9*0.5	8.3	9.1	A
1S	Z2	16	16	6.0	22	3.2	19.4	10.5	14	M12*1.0	10.6	12.1	A

Z3 SOCKET FIXED SOCKET, BACK PANEL MOUNT, NUT FIXING



Reference		Dimensions(mm)									Panel cut-outs		
Series	Model	A	B	E	L	M	N	S1	S3	e	Ws	Ø	Type
0S	Z3	12	12	5.5	18	2.5	16.0	8.2	11	M9*0.5	8.3	9.1	A
1S	Z3	16	16	6.0	22	3.2	19.4	10.5	14	M12*1.0	10.6	12.1	A

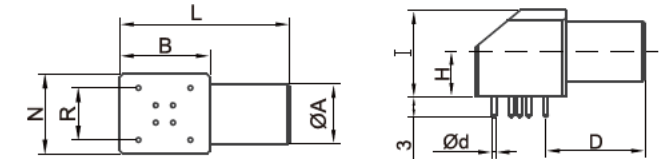
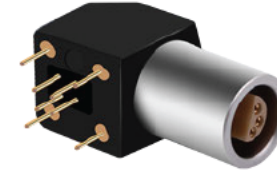
Z4 SOCKET FREE SOCKET, FOR CABLE CONNECTING, CABLE MOUNT, AND NUT FOR FITTING A BEND RELIEF



Reference		Dimensions(mm)		
Series	Model	L	A	S1
0S	Z4	34	9.5	7.3
1S	Z4	40	12	9

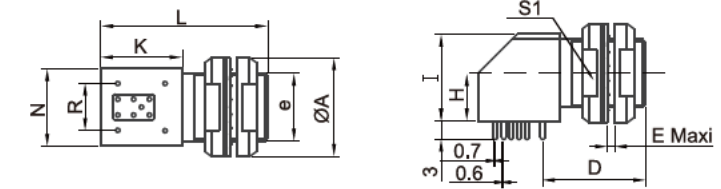
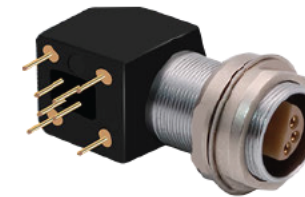
ELBOW SOCKET MODELS

Z11 SOCKET ELBOW (90°) SOCKET FOR PRINTED CIRCUIT, DIMENSIONS FOR SOLDER SIDE AND CONTACT SIDE AS BELOW

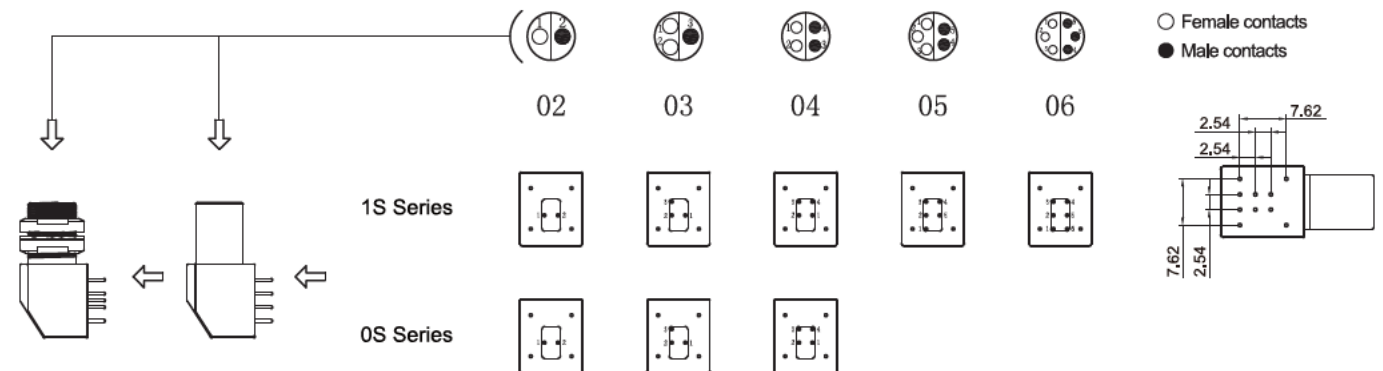


Reference		Dimensions(mm)							
Series	Model	A	B	N	I	H	D	d	L
0S	Z11	9	14.2	12	12.7	6.7	14.6	0.7	25
1S	Z11	11	13.3	13	14.2	7.5	16.6	0.7	27

Z12 SOCKET ELBOW (90°) SOCKET FOR PRINTED CIRCUIT, WITH TWO NUTS, DIMENSIONS FOR SOLDER SIDE AND CONTACT SIDE AS BELOW



Reference		Dimensions(mm)								
Series	Model	A	K	N	I	H	A	L	S1	e
0S	Z12	12	14.2	12	12.7	6.7	12	25	10	M9*0.5
1S	Z12	14	13.3	13	14.2	7.5	15	27	13	M11*0.5



INSERT CONFIGURATION MULTIPOLE

Series	Code	Solder contacts		Contact ø (mm)	Resistance (mΩ)	Rated current (A)	Test voltage (V)	Working voltage (V)	
		Male	Female						
0S	02			0.9	5	10	1500	500	
	03			0.7	7.5	7	1000	330	
	04			0.7	7.5	7	1000	330	
1S	120			2.0	5	18	1700	2400	
	02			1.3	5	15	1250	450	
	03			0.9	6	10	1200	450	
	04			0.9	6	10	1200	400	
	05	2			0.9	7.5	10	1500	500
		3			0.7	7.5	7	1500	500
06			0.7	7.5	7	1500	500		

CACULATION METHOD: WORKING VOLTAGE= TEST VOLTAGE/3

UNIPOLE CONNECTORS

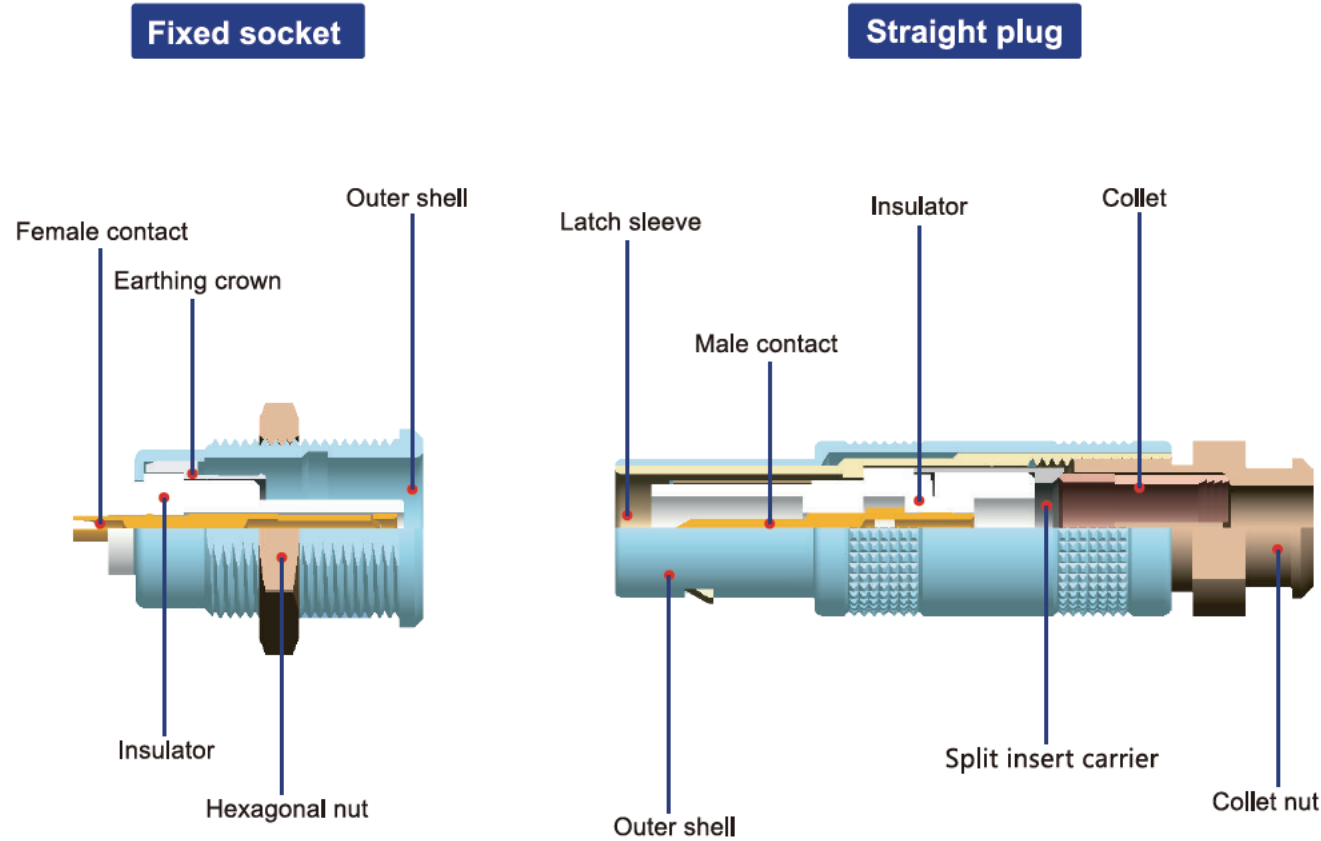


MAIN FEATURES:

- 1. Security of the push –pull self-latching system
- 2. Solder or PCB contacts (straight or elbow)
- 3. High Packing density for space saving
- 4. Impedance 50Ω or 75Ω
- 5. 360° screening for full EMC shielding

PART SECTION SHOWING INTERNAL COMPONENTS

Unipole series



Part Numbering System

- 1.Series:(Page 67)
- 2.Housing model:(Page 67)
- 3.Insert configuration:(Page 73)
- 4.Housing material
C=Chrome plated brass
K=Black Chrome plated brass
N=Nickel plated brass
T=Stainless steel
L=Aluminium alloy anodized
- 5.Insulator material
L=PPS、 T=PTFE
- 6.Contact type
A=Solder male L=Solder female
- 7.Cable OD:(Page 80)
- 8.Bend relief color, blank if without bend relief
N=Black ,G=Grey ,A=Blue
R=Red ,J=Yellow ,V=Green:(Page 145)

Plug	1S	T1	275	C	T	A	50	
Free socket	1S	Z4	275	C	T	L	50	N
Fixed socket	1S	Z1	275	C	T	L		

PART NUMBER EXAMPLE:

Straight plug with cable collet:

1ST1250CTA62N =1S series unipole straight plug with cable collet, 50Ω impedance, contact dia. is 1.6mm , outer shell in chrome plated brass, PTFE insulator, collet for 6.0mm diameter cable and with a black bend relief

Free socket:

1SZ4250CTL52N =1S series unipole free socket with cable collet, 50Ω impedance, contact dia. is 1.6mm, outer shell in chrome plated brass, PTFE insulator, collet for 6.0mm diameter cable and with a black bend relief

Fixed socket:

1SZ1250CTL =1S series unipole fixed socket, 50Ω impedance , nut fixing, outer shell in chrome plated brass, PTFE insulator, with 1.6mm solder contacts.

TECHNICAL CHARACTERISTICS

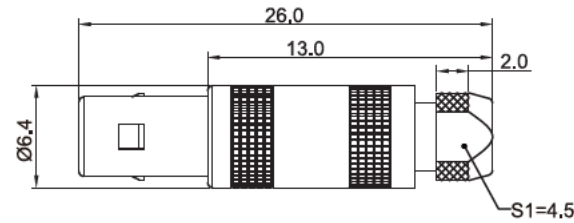
Characteristics	Parameter
Locking Type	push pull self-latching type
Working Temperature	-55°C~ +250°C
Maximum Humidity	up to 95% at 60°/140°F
Shielding Efficiency	75dB(10MHz) 40dB(1GHz)
Resistance to Vibration	15g[10Hz~2000Hz]

Characteristics	Parameter
Salt spray corrosion test	96hr
Shock resistance	100g,6ms
Endurance	5000 cycles
Protection index(mated)	IP50

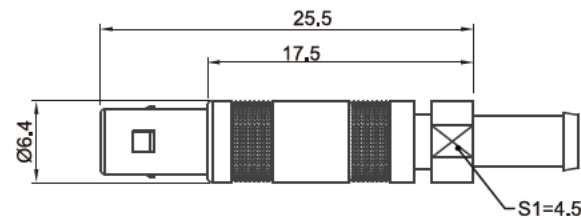
Housing Models

00S series

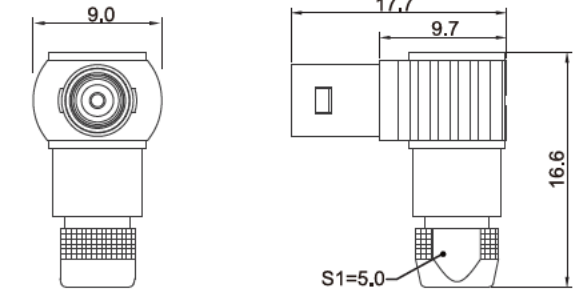
T1 PLUG STRAIGHT PLUG, WITH CABLE COLLET



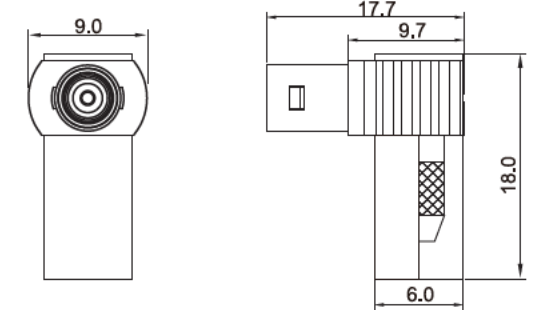
T1 PLUG STRAIGHT PLUG, WITH CABLE COLLET AND NUT FOR FITTING A BEND RELIEF



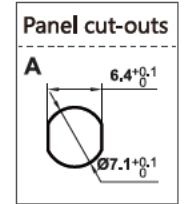
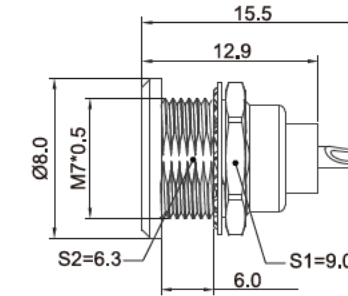
T3 PLUG ELBOW (90°) PLUG



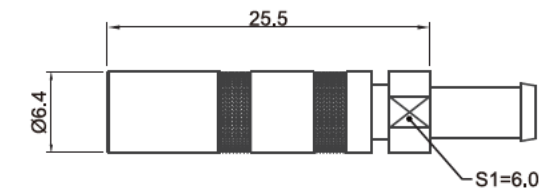
T3 PLUG ELBOW (90°) PLUG, WITH CABLE COLLET



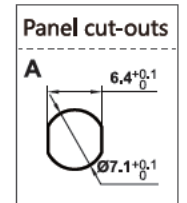
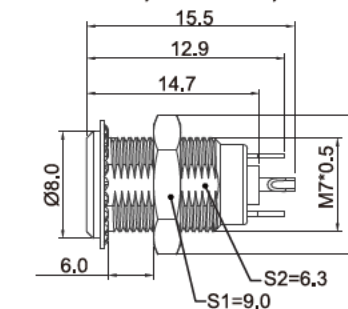
Z1 SOCKET FIXED SOCKET, FRONT PANEL MOUNT, NUT FIXING



Z4 SOCKET FREE SOCKET, FOR CABLE CONNECTING, CABLE MOUNT, AND NUT FOR FITTING A BEND RELIEF

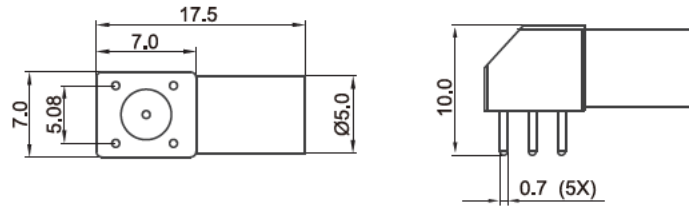


Z5 SOCKET FIXED SOCKET, FRONT PANEL MOUNT, NUT FIXING, WITH TWO EARTHING TAG

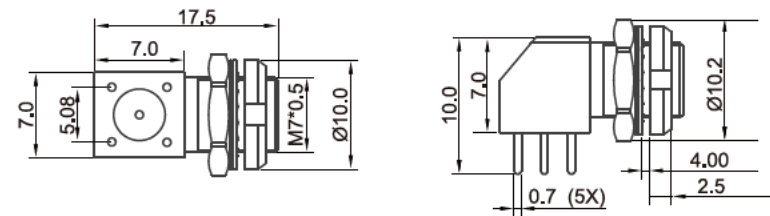


ELBOW SOCKET MODELS

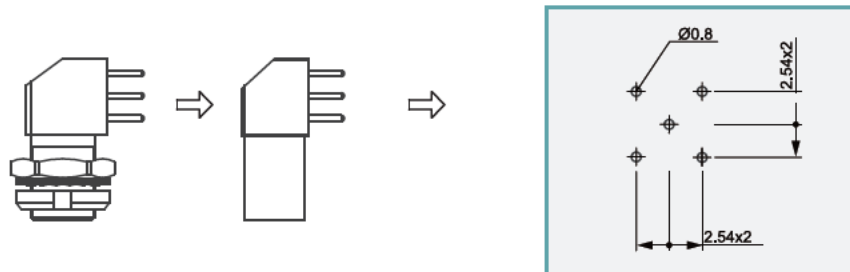
Z11 SOCKET ELBOW (90°) SOCKET FOR PRINTED CIRCUIT, GROUND SOLDER FIXED, DIMENSIONS FOR SOLDER SIDE AND CONTACT SIDE AS BELOW



Z12 SOCKET ELBOW (90°) SOCKET FOR PRINTED CIRCUIT, WITH TWO NUTS, DIMENSIONS FOR SOLDER SIDE AND CONTACT SIDE AS BELOW

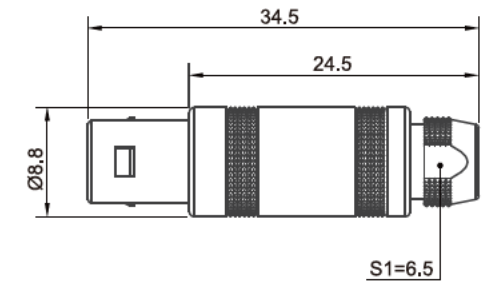


PCB DRILLING PATTERN

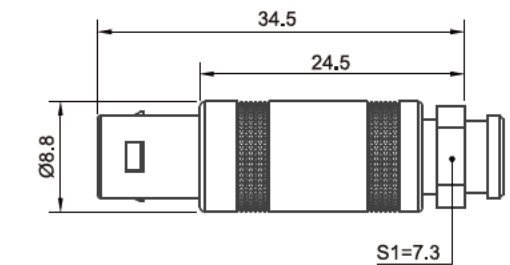


0S series

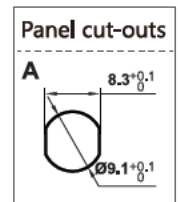
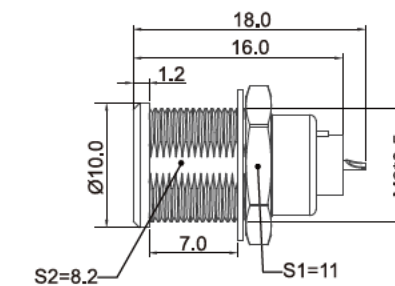
T1 PLUG STRAIGSTRAIGHT PLUG, WITH CABLE COLLET



T1 PLUG STRAIGHT PLUG, WITH CABLE COLLET AND NUT FOR FITTING A BEND RELIEF



Z1 SOCKET FIXED SOCKET, FRONT PANEL MOUNT, NUT FIXING



UNIPOLE CONNECTORS

UNIPOLE CONNECTORS

1S series

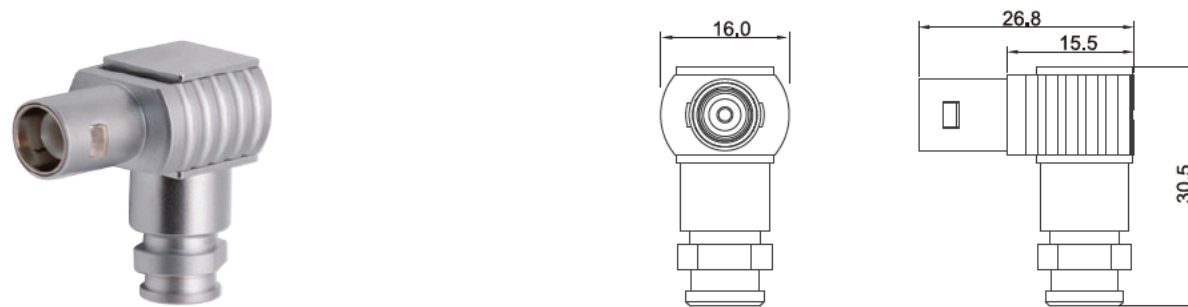
T1 PLUG STRAIGSTRAIGHT PLUG, WITH CABLE COLLET



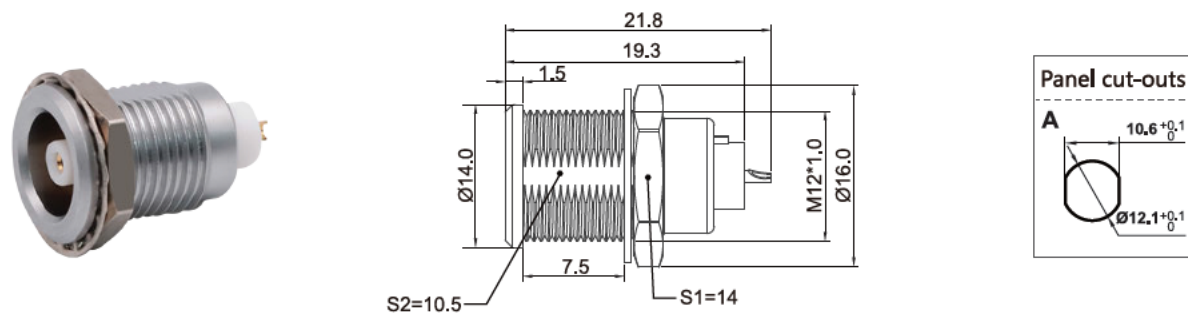
T1 PLUG STRAIGHT PLUG, WITH CABLE COLLET AND NUT FOR FITTING A BEND RELIEF



T3 PLUG ELBOW (90°) PLUG, WITH CABLE COLLET

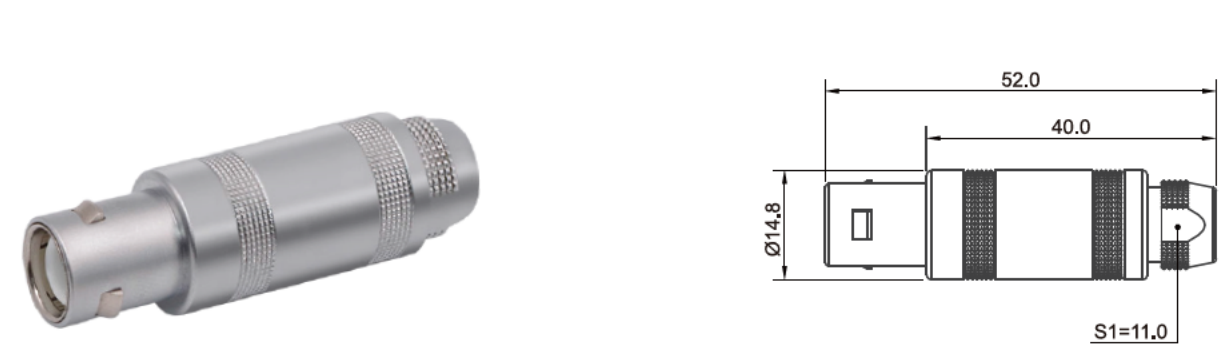


Z1 SOCKET FIXED SOCKET, FRONT PANEL MOUNT, NUT FIXING



2S series

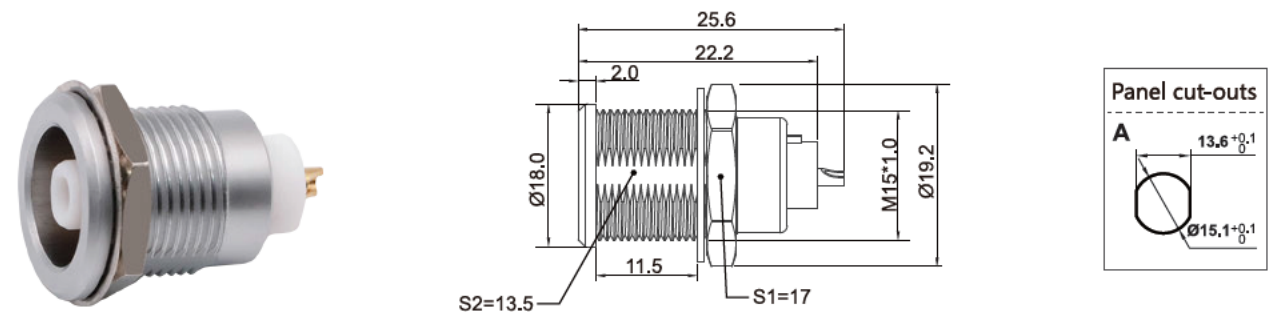
T1 PLUG STRAIGSTRAIGHT PLUG, WITH CABLE COLLET



T1 PLUG STRAIGHT PLUG, WITH CABLE COLLET AND NUT FOR FITTING A BEND RELIEF



Z1 SOCKET FIXED SOCKET, FRONT PANEL MOUNT, NUT FIXING



INSERT CONFIGURATION

Series	Code	Solder contacts		Contact ø(mm)	Impedance (Ω)	Rated current (A)	Test voltage (V)	Working voltage (V)
		Male	Female					
00S	250			0.7	50	4	2100	700
0S	250			0.9	50	6	3000	1000
1S	250			1.6	50	12	3000	1000
	275			1.3	75	10	2400	800
2S	250			2.0	50	15	3000	1000

CALCULATION METHOD: WORKING VOLTAGE= TEST VOLTAGE/3

TRIAxIAL CONNECTORS



www.atd-shop.com



MAIN FEATURES:

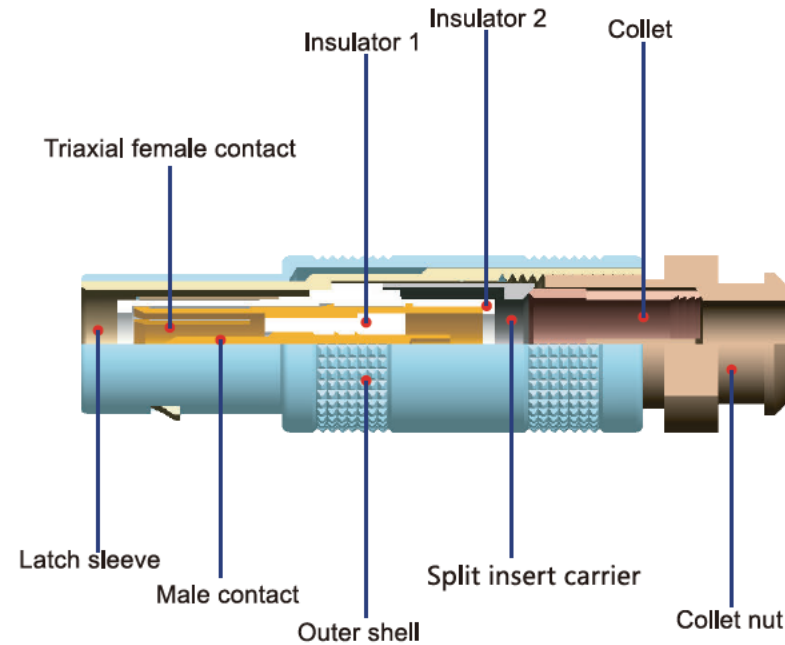
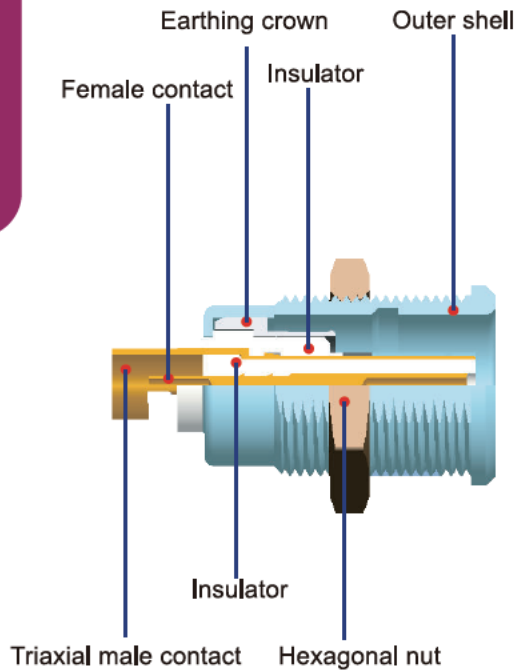
- 1. Security of the push –pull self-latching system
- 2. Solder or PCB contacts (straight or elbow)
- 3. High Packing density for space saving
- 4. Impedance 50Ω or 75Ω
- 5. 360° screening for full EMC shielding

PART SECTION SHOWING INTERNAL COMPONENTS

Triaxial series

Fixed socket

Straight plug



Part Numbering System



- 1.Series:(Page 77)
- 2.Housing model:(Page 77)
- 3.Insert configuration:(Page 80)
- 4.Housing material
C=Chrome plated brass
K=Black Chrome plated brass
N=Nickel plated brass
T=Stainless steel
L=Aluminium alloy anodized
- 5.Insulator material
L=PPS、 T=PTFE
- 6.Contact type
A=Solder male L=Solder female
- 7.Cable OD:(Page 80)
- 8.Bend relief color, blank if without bend relief
N=Black ,G=Grey ,A=Blue
R=Red ,J=Yellow ,V=Green:(Page 145)

PART NUMBER EXAMPLE:

Straight plug with cable collet:

1ST1650CTA62N =1S series triaxial straight plug with cable collet, 50Ω impedance, outer shell in chrome plated brass, PTFE insulator, collet for 6.0mm diameter cable and with a black bend relief

Fixed socket:

1SZ1650CTL =1S series triaxial fixed socket, 50Ω impedance , nut fixing, outer shell in chrome plated brass, PTFE insulator, solder contacts.

TECHNICAL CHARACTERISTICS

Characteristics	Parameter
Locking Type	push pull self-latching type
Working Temperature	-55°C~ +250°C
Maximum Humidity	up to 95% at 60°/140°F
Shielding Efficiency	75dB(10MHz) 40dB(1GHz)
Resistance to Vibration	15g[10Hz~2000Hz]

Characteristics	Parameter
Salt spray corrosion test	96hr
Shock resistance	100g,6ms
Endurance	5000 cycles
Protection index(mated)	S series:IP50, E series:IP68

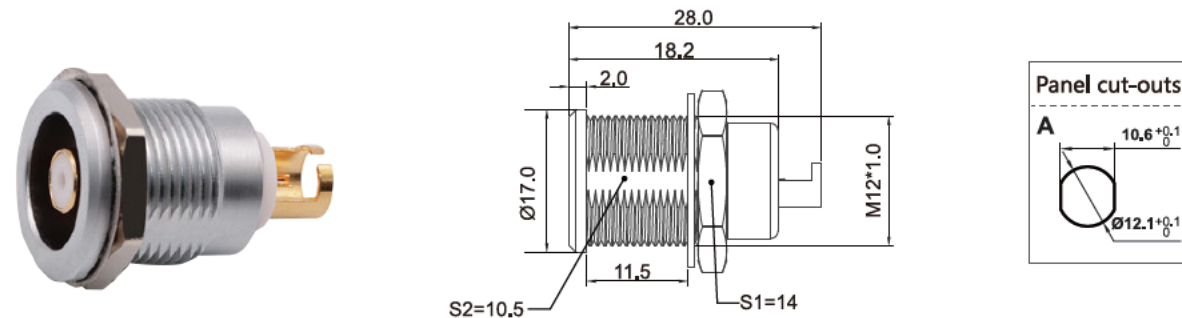
Housing Models

1S series

T1 PLUG STRAIGHT PLUG, WITH CABLE COLLET AND NUT FOR FITTING A BEND RELIEF

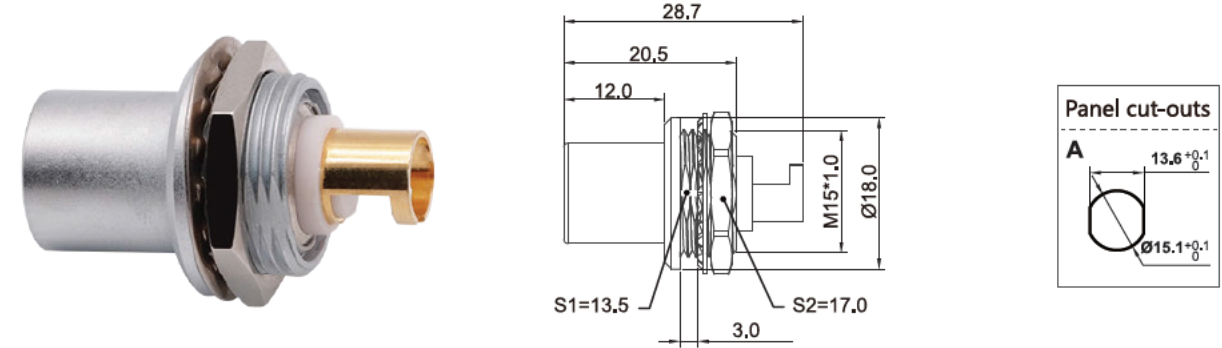


Z1 SOCKET FIXED SOCKET, FRONT PANEL MOUNT, NUT FIXING

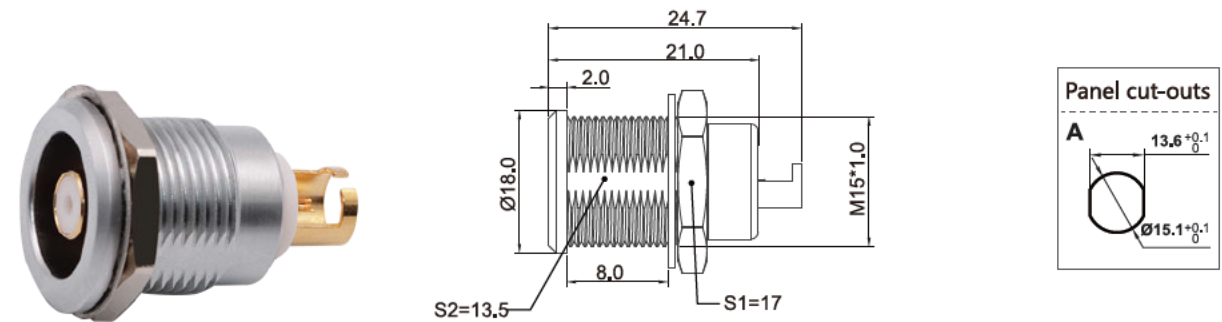


2S series

T2 PLUG FIXED SOCKET, NON-LATCHING, NUT FIXING

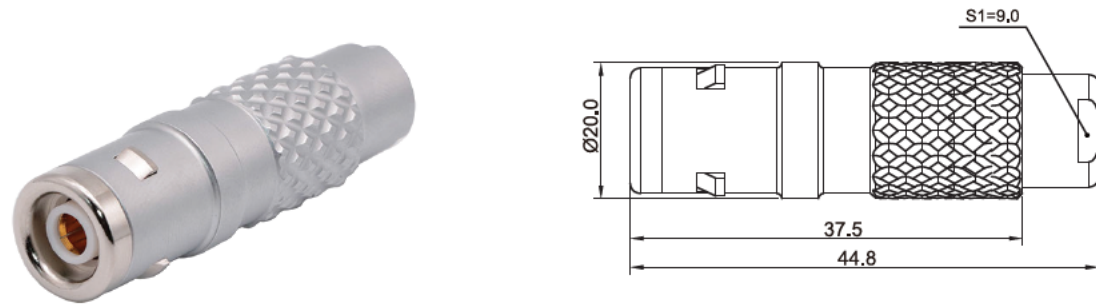


Z1 SOCKET FIXED SOCKET, FRONT PANEL MOUNT, NUT FIXING

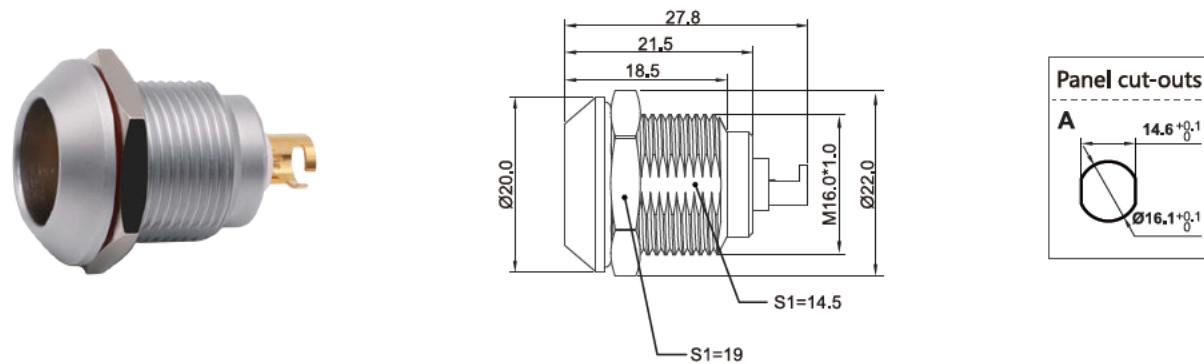


1E series

T1 PLUG STRAIGHT PLUG, WITH CABLE COLLET, WATERTIGHT, IP68



Z1 SOCKET FIXED SOCKET, FRONT PANEL MOUNT, NUT FIXING, WATERTIGHT, IP68



INSERT CONFIGURATION

Series	Code	Solder contacts		Contact ø(mm)	Impedance (Ω)	Rated current (A)	Test voltage (V)	Working voltage (V)
		Male	Female					
1S 1E	650			0.9	50	6	1000	330
2S	675			0.9	75	6	1500	500

CALCULATION METHOD: WORKING VOLTAGE= TEST VOLTAGE/3

COLLET (S,UNIPOLE AND TRIAXIALSERIES) (The material of collet is nickel plated brass)



Code	Collet ØA (mm)	Cable DiaØ(mm)		Series			
		min.	max.	00S	0S	1S	2S
27	2.7	2.2	2.7			●	
29	2.9	2.4	2.9	●			
32	3.2	2.7	3.2		●		
35	3.5	3.1	3.5			●	
40	4.0	3.6	4.0			●	●
45	4.5	4.1	4.5		●		
50	5.0	4.6	5.0	●		●	●
60	6.0	5.1	6.0				●
62	6.2	5.8	6.2			●	
65	6.5	6.1	6.5			●	
70	7.0	6.6	7.0				●
80	8.0	7.1	8.0				●