

# U SERIES

(OUTDOOR KEYED)



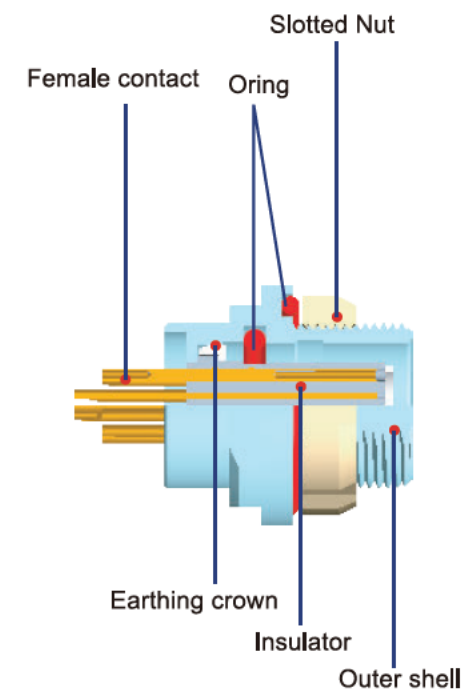
## MAIN FEATURES:

1. Security of the push-pull self-latching system
2. Multipole types 2 to 16 contacts
3. IP rate: IP68
4. High Packing density for space saving
5. Solder or PCB contacts (straight or elbow)
6. 360° screening for full EMC shielding
7. High Packing density for space saving

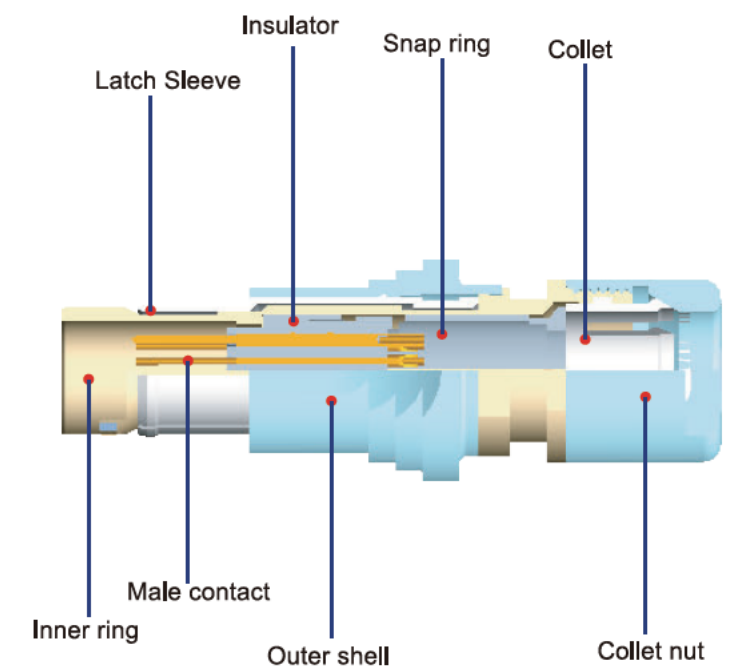
## PART SECTION SHOWING INTERNAL COMPONENTS

### U series

Fixed socket



Straight plug



## Part Numbering System

Plug **0U T7 A 04 K L A 52**  
 Free socket **0U Z4 A 04 K L L 52**  
 Fixed socket **0U Z20 A 04 K L L**

1.Series:(Page 102)

2.Housing model:(Page 102)

3.Alignment key:(Page 103)

4.Insert configuration:(Page 104)

5.Housing material  
K=Black chrome plated brass

6. Insulator material  
L=PPS、 T=PTFE

7.Contact type  
A=Solder male      L=Solder female  
N=Print female      V=Print female 90°  
W=Print male 90°    D=Print male

8.Cable OD:(Page 105)

## PART NUMBER EXAMPLE:

### Straight plug with cable collet:

0UT7A09KLA52= 0U Short type straight plug with key(A) and cable collet, multipole type with 9 contacts, outer shell in black chrome plated brass, PPS insulator, solder male contacts, collet for 5.0mm diameter cable.

### Free Socket:

0UZ4A09KLL52=0U Free socket with key(A) and cable collet, multipole type with 9 contacts, outer shell in black chrome plated brass, PPS insulator, solder female contacts, collet for 5.0mm diameter cable.

### Fixed socket:

0UZ20A09KLL=0U series fixed socket, nut fixing, multipole type with 9 contacts, outer shell in black chrome plated brass, solder female contacts

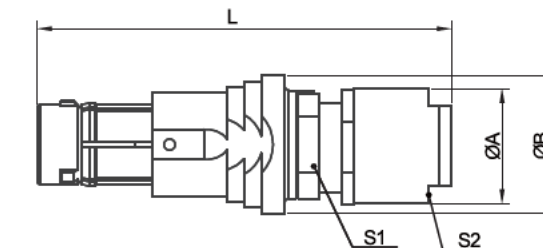
## TECHNICAL CHARACTERISTICS

Characteristics	Parameter
Locking Type	push pull self-latching type
Working Temperature	-55°C~ +250°C
Maximum Humidity	up to 95% at 60°/140°F
Shielding Efficiency	75dB(10MHz) 40dB(1GHz)
Resistance to Vibration	15g[10Hz~2000Hz]

Characteristics	Parameter
Salt spray corrosion test	96hr
Shock resistance	100g,6ms
Endurance	10000 cycles
Protection index(mated)	IP68

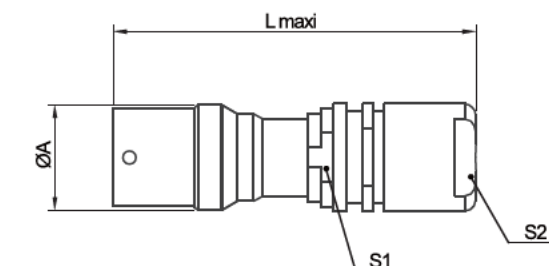
## Housing Models

### T7 PLUG STRAIGHT PLUG, WITH MULTIPOLE KEY , CABLE COLLET



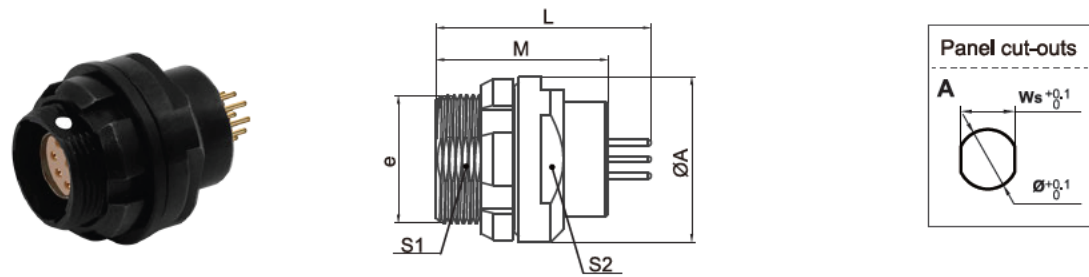
Reference		Dimensions(mm)				
Series	Model	L	A	B	S1	S2
00U	T7	31.0	10.0	10.5	6.5	7.0
0U	T7	36.0	10.0	12.0	8.0	7.0

### Z20 SOCKET FREE SOCKET, CABLE MOUNT, CABLE COLLET



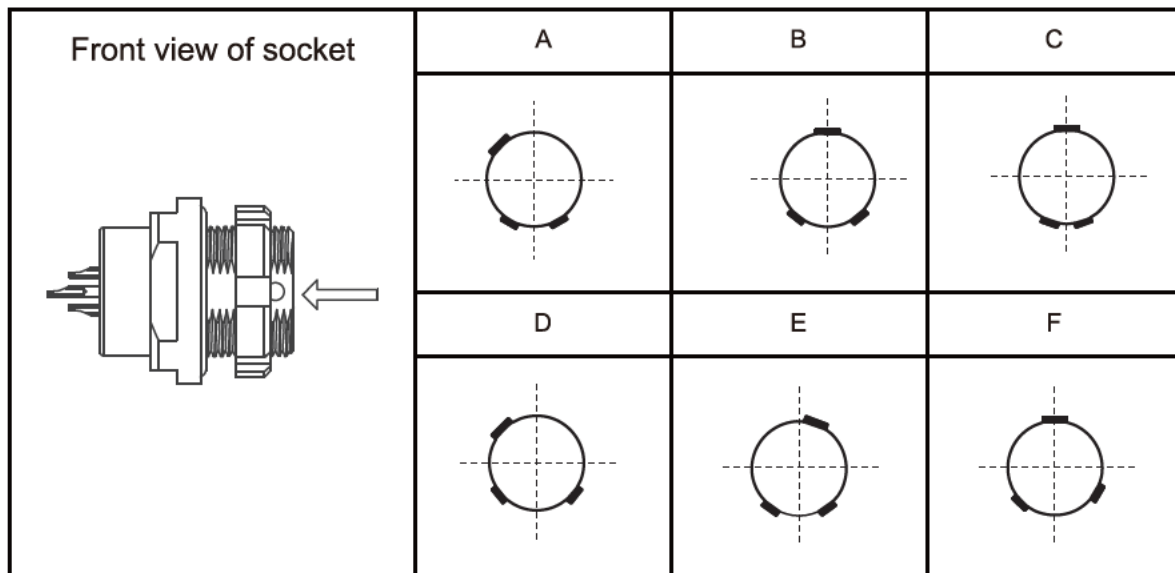
Reference		Dimensions(mm)			
Series	Model	L	A	S1	S2
0U	Z4	33.6	9.8	8	7

**Z20 SOCKET** FIXED SOCKET, VACUUM-TIGHT, BACK PANEL MOUNT



Reference		Dimensions(mm)						Panel cut-outs		
Series	Model	L	A	E	S1	S2	e	Ws	Ø	Type
00U	Z20	15.0	10.0	12.5	6.3	8.0	M7*0.5	6.4	7.1	A
0U	Z20	18.4	13.0	13.5	9.4	11.0	M9*0.5	8.0	9.1	A

**ALIGNMENT KEY:**



**INSERT CONFIGURATION (Multipole)**

Series	Code	Solder contacts		Contact ø(mm)	Resistance (mΩ)	Rated current (A)	Test voltage (V)	Working voltage (V)
		Male	Female					
00U	02			0.5	10	5	1000	330
	03			0.5	10	3	800	260
	04			0.5	10	2	800	260
	05			0.35	10	1.7	700	200
0U	02			0.9	6	10	1000	500
	03			0.9	6	8	875	400
	04			0.7	7.5	7	875	300
	05			0.7	7.5	6.5	750	300
	06			0.5	10	2.5	750	300
	07			0.5	10	2.5	750	300
	09			0.5	10	2	600	200
	13			0.4	10	2	600	200

CALCULATION METHOD: WORKING VOLTAGE= TEST VOLTAGE/3

**COLLET (C,U SERIES)** (The material of collet is nickel plated brass)

**FOR C SERIES**



Code	ColletØA (mm)	Cable DiaØ(mm)		Series		
		min.	max.	0C	1C	3C
32	3.2	2.7	3.2	●	●	
42	4.2	3.7	4.2		●	
45	4.5	4.0	4.5	●		
52	5.2	4.7	5.2	●	●	
56	5.6	5.1	5.6	●		
62	6.2	5.7	6.2		●	
65	6.5	6.0	6.5	●		●
73	7.3	6.8	7.3			●

**FOR U SERIES**



Code	ColletØA (mm)	Cable DiaØ(mm)		Series	
		min.	max.	00U	0U
32	3.2	2.7	3.2	●	
45	4.5	4.0	4.5	●	●
50	5.0	4.6	5.0	●	●
55	5.5	5.0	5.5	●	●
60	6.0	5.6	6.0	●	●

U SERIES

**T SERIES**

(OUTDOOR YLH BAYONET CONNECTOR)

**MIL-DTL-26482 SERIES I CONNECTOR**

MIL-DTL-26482 Ser. I Connectors Uses a quick disconnect bayonet Coupling and 5 keyways



**1T SERIES**



**0T SERIES**