

1

2

3

4

5

6

7

8

A

B

C

D

E

F

G

H

A

B

C

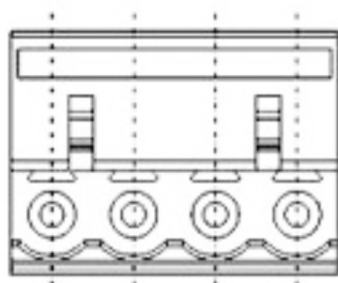
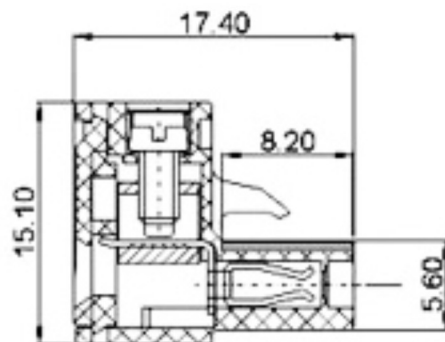
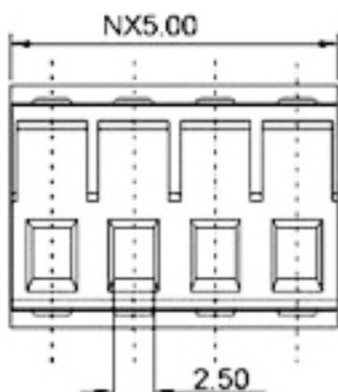
D

E

F

G

H



Standard	UL	VDE
Rated voltage	300V	320V
Rated current	15A	20A
Wire range	28-12AWG	2.5mm ²
Withstanding voltage	AC2500V/1Min	
Ambient temperature	(-)40°C to +105°C	
Strip length	7mm	
Torque	0.4Nm(3.5Lb-In.)	
Pitch	5.00/5.08/7.50/7.62mm(.197")	
Poles	2P, 3P --- Any poles	
Housing	PA66, UL94V-0	
Screws	M2.5, steel, Cr ³⁺ Zn plated	
Wire Cage	Brass, Ni plated	
Contact Cage	Brass, Ni plated	



RoHS Compliant		SCHMID-M	
APPD.		TOLERANCE	PART NAME
DWG.	HELGA	XX ± 0.25 X ± 0.35 ANG. ±	Pluggable Terminal Block Wire Cage Terminal 5,00mm Green W/o fix screw XX: No. Poles
DATE	2013/10	UNIT	PART NO.
		M M	SM C09 0504 XX YOC
		PAGE	
		1 OF 1	
		SIZE	
		A 4	
		REV.	
		C	

1

2

3

4

5

6

7

8