

2019 General Catalogue

Connector Specialist

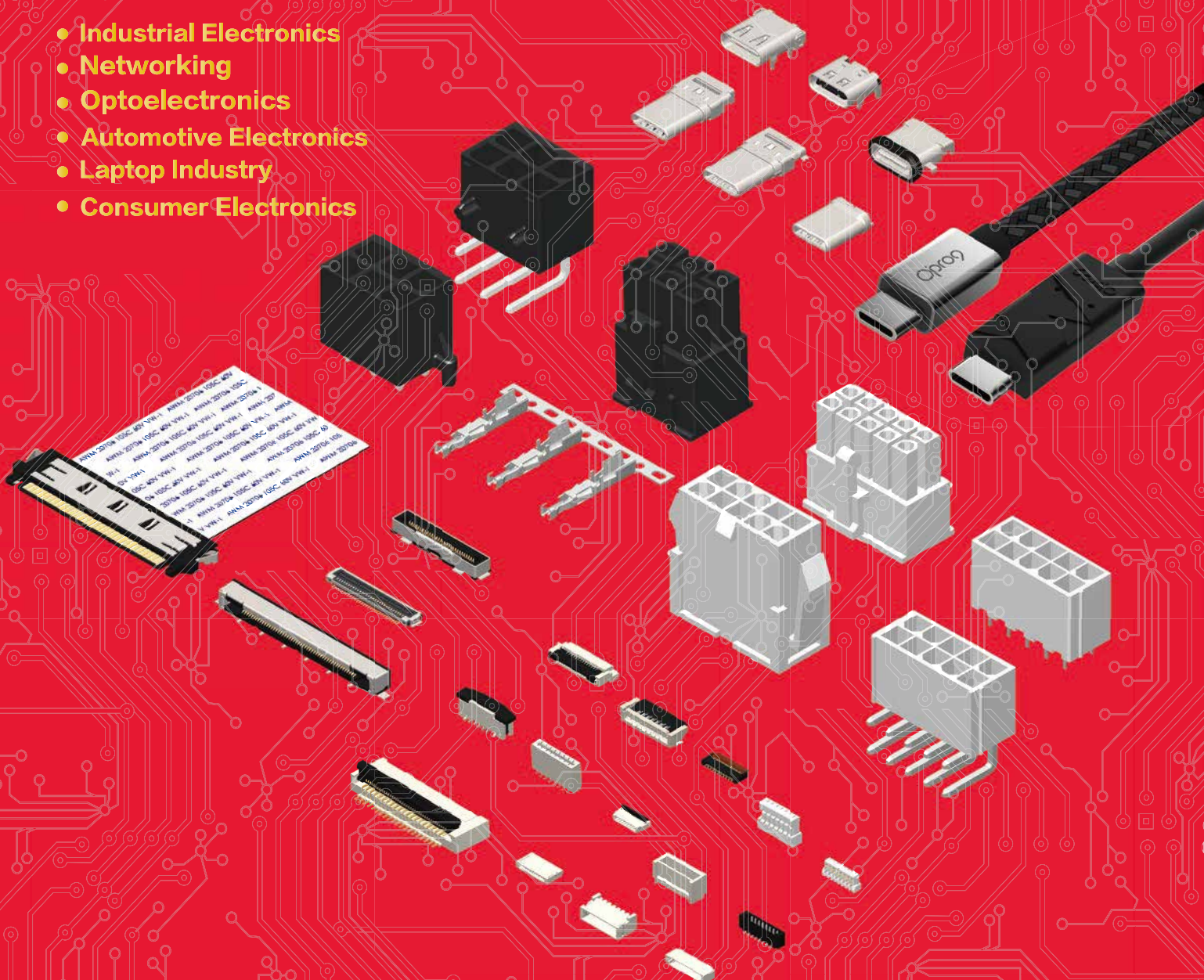


CONNECT
THE WORLD
CONNECT
THE FUTURE



www.atd-elektronik.cz

- Industrial Electronics
- Networking
- Optoelectronics
- Automotive Electronics
- Laptop Industry
- Consumer Electronics



Established
Taiwan , year 1990

Main Business
CviLux Brand & ODM/OEM Business

Key Products
Connector, FFC, Wire Harness, Cable Assemblies, PCBA,
Electronic Components, 3C Product ... etc.

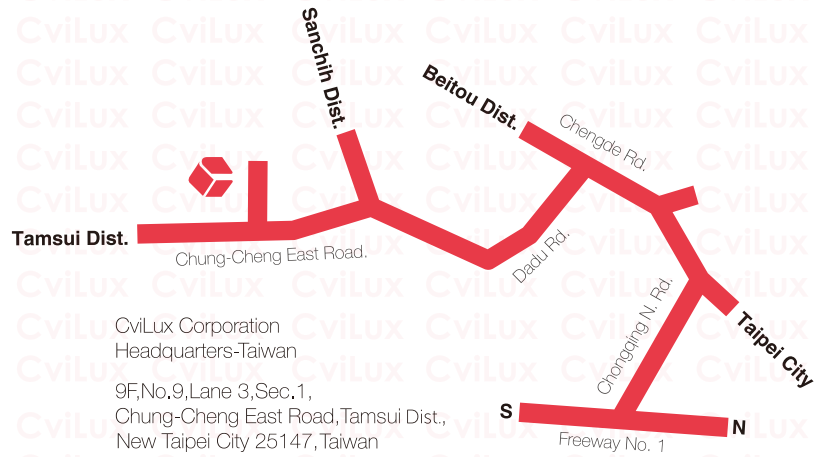
Competitive Advantage
(1) Listed Company in Taiwan Stock Market (TWSE8103)
(2) Worldwide Sales Network
(3) Advance ERP & Customer Service
(4) Integrated Marketing Service System
(5) Turnkey Green Product Solution
(6) International Standard of QC & Certificates

Factory & Office Location
Taiwan – Tamsui Plant – Headquarters (CCT)
China – Dongguan Plant – 1 (CED)
Dongguan Plant – 2 (DQH)
Dongguan Plant – 3 (CED2)
Suzhou Plant (HBC)
Chongqing Plant (CQC)
Anhui Plant (AHC)
Shenzhen Office (CTS)
Lao – Lao Plant (LAO)
USA – USA Office (CUC)

Sales Agent
Allsor Technology Corporation (Taiwan)
Allsor (Dongguan) Technology Corporation (China)

Quality Policy
Improve Our Product Quality & Operation System
To Satisfy Our Customer's Demand

I.P.O.
TWSE8103 (Taiwan Stock Exchange Corp.)



CviLux Corporation
Headquarters, Taiwan



CviLux Electronics (Dongguan) Co., Ltd.



CviLux Technology (Shenzhen) Corporation



CviLux Technology
(Chongqing) Corporation



Dongguan Qunhan
Electronics Co., Ltd.



CviLux Technology
(Suzhou) Co., Ltd.



Anhui CviLux
Technology Co., Ltd.



CviLux Lao Co., Ltd.

TERMS & CONDITIONS

Sample Request

Samples will be dispatched out by freight collected courier against prices approved by customers.

Tape & Reel Request

T/R available, please consult manufacturer for details.

Quotation Validity

Quoted prices are based on current selling prices and will be valid within 6 months from issued date. CviLux reserves the right to adjust quoted prices any time in response to international raw material costs or simply error correction on typing.

Export Payment Terms

Standard term is T/T in advance. Payment term extension application to be approved by CviLux individually.

Minimum Package Quantity

Customer order quantity should meet our minimum package quantity for purpose of inventory control and speeding up for delivery.

Minimum Order Quantity

To smooth production process, please place orders to meet our MOQ which is set according to different products.

Delivery Term

(A) Air shipment amount over USD 3500 / EURO 2850 : F.C.A. Taiwan/H.K./ Shanghai.

(B) Air shipment amount less than USD 3500 / EURO 2850: F.C.A. Taiwan/H.K./ Shanghai + handling charge USD 200 / EURO 170 or EXW without handling charge.

(C) Sea shipment amount over USD 6000 / EURO 4870: F.O.B. Taiwan/H.K./ Shanghai.

(D) Sea shipment amount less than USD 6000 / EURO 4870: F.O.B. Taiwan/H.K./Shanghai + handling charge USD 200 / EURO 170 or EXW without handling charge. CviLux reserves the right to adjust handling charge to reflect actual transportation cost and exchange rate if any necessary.

Time of Delivery

All delivery dates quoted are estimated, are not guaranteed and do not form a term of contract, while every endeavor will be made to comply with these dates, CviLux shall have no liability for any delay in dispatch or delivery.

Placing Orders

Please place a formal order by fax, e-mail. Verbal phone orders will not be accepted or entered into our system.

Orders Cancellation and Changes

Customer's orders' cancellation or changes should be informed in 3 days after orders placing. Any unrecoverable manufacturing cost raised by the cancellation and changes will be charged to the customers.

Shipping

Special shipping instruction will be followed whenever possible. If no special demand of shipping, we will deliver the shipment to you with the "best way."

Constant Product Improvement

The products supplied may not be agreed in all details with description and illustrations. Product specifications are subject to constant improvement.

Guarantee

All "non-customized" parts from CviLux Corporation are unconditionally guaranteed for 30 days from the date of shipment.

Warranty

CviLux Corporation warrants the materials and workmanship of its products for 180 days from the date of shipment.

Returned Goods

Any defects or errors for which we are responsible will be promptly rectified. Approval for return of goods must be requested by us. All products returned must have been purchased from CviLux Corporation within 6 months from the date of invoice, and must be packed and shipped in clean and re-saleable condition. Credit for returned goods shall only be allowed by receiving CviLux official credit notes after above requirements have been met.



Wire to Board & Cable Assembly



Power Connectors



Pin Headers



FFC / FPC Connectors



RF Connectors



D-SUB Connectors



FFC



USB Type C Connectors & Cable

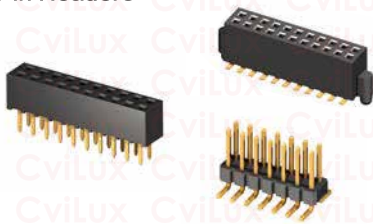




Wire to Board & Cable Assembly



Pin Headers



FFC / FPC Connectors & FFC



RF Connectors



D-SUB & Combo D-SUB



Telephone Jacks



USB Type C Connectors & Cable



Mini PCI-E





Wire to Board Connectors & Harness Cable



FFC / FPC Connectors



Power Connectors



LED Holder



FFC & LVDS FFC

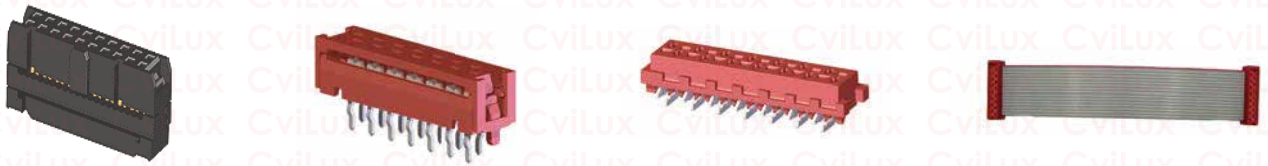


USB Type C Connectors & Cable





IDC Connectors & Cable



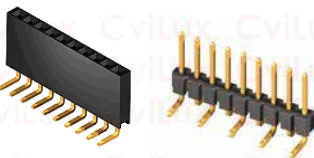
FFC / FPC Connectors & FFC



Power Connectors



Pin Header



BTB Connectors



D-SUB



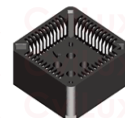
USB Type C Connectors & Cable



USB



IC socket

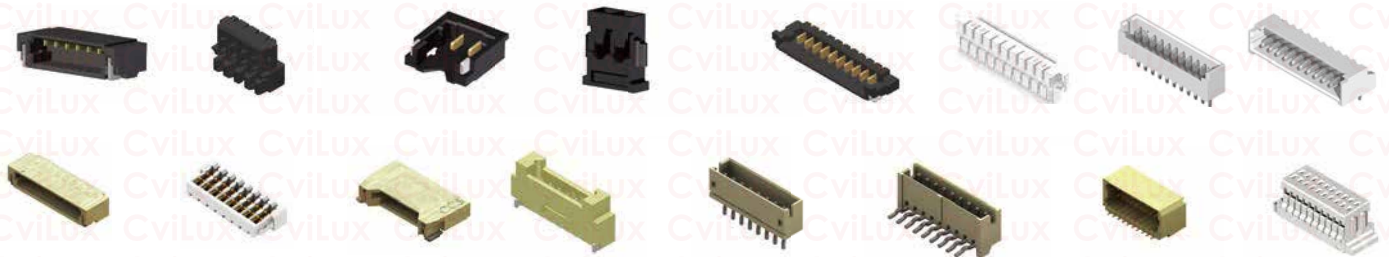


Jumper

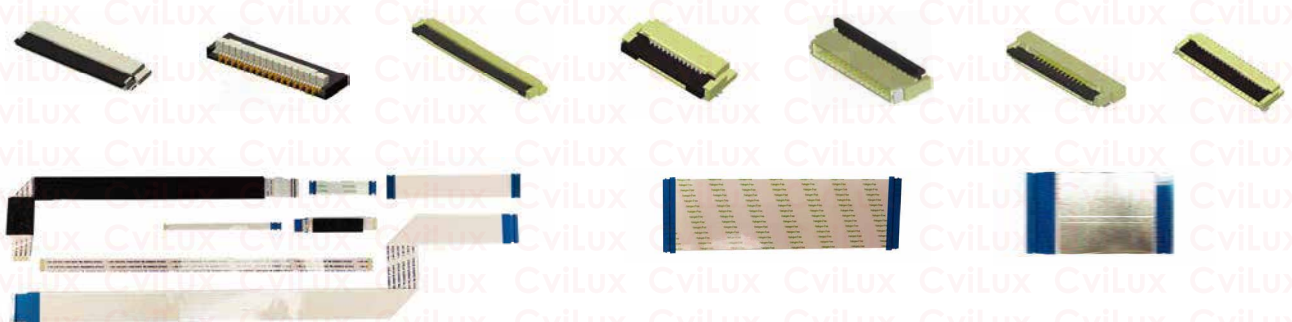




Wire to Board Connectors



FFC / FPC Connectors



BTB Connectors



LVDS Connectors



USB Type C Connectors



I/O Connectors

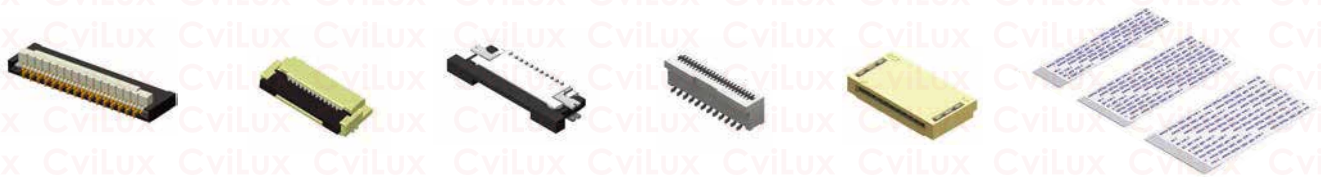




Wire to Board Connectors



FFC / FPC Connectors & FFC



BTB Connectors



I/O Connectors



USB Type C Connectors

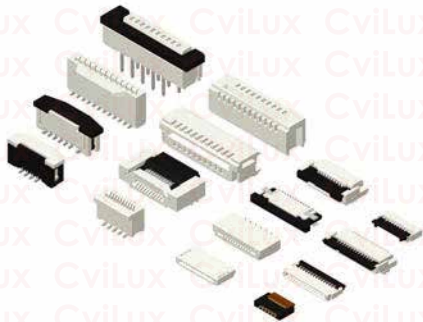


USB Type C Cable



PRODUCT CATEGORY

FFC / FPC Connectors



FFC and LVDS Cables



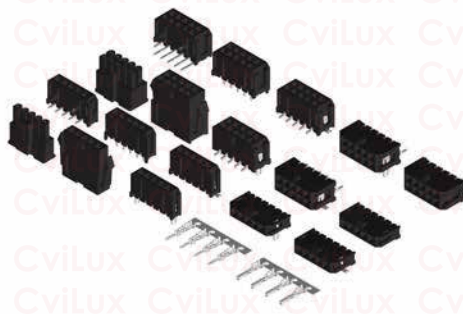
LVDS Connectors



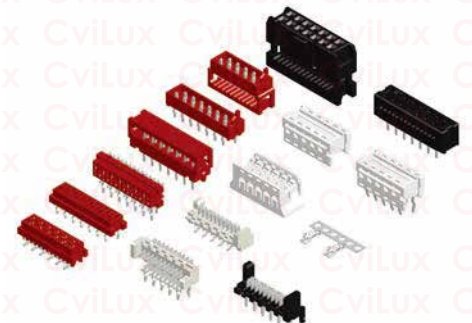
Wire to Board Connectors



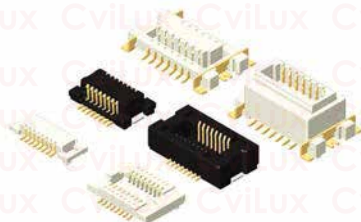
Power Connectors



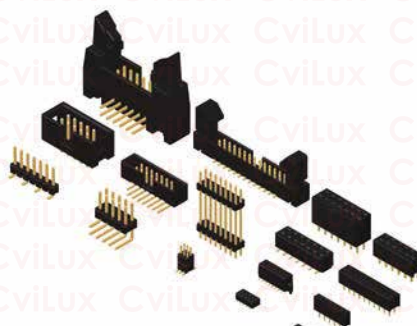
IDC Connectors



Board to Board Connectors



Pin Headers



Socket Connectors



D-SUB and Combo D-SUB Connectors



Modular Jack Connectors



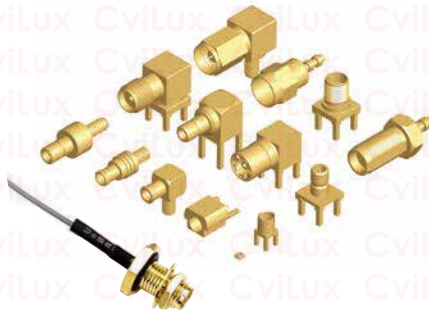
I/O Connectors



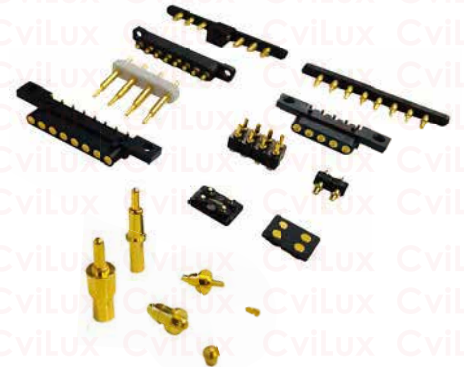
USB Type C Connectors



RF Microwave Coaxial Connectors & Cable



Pogo Pin Connectors



Fiber Optical Connector & Cable



PCBA



Module

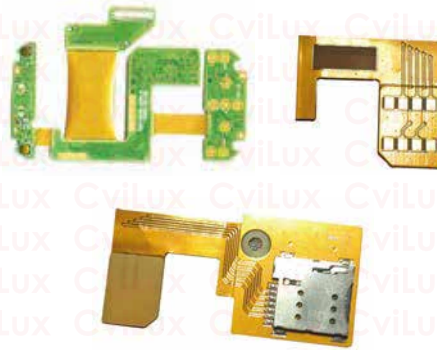


PRODUCT CATEGORY

FFC & Assemblies



Cable with PCBA Assemblies



IDC Cable Assemblies



Type C Cable & Adapter



Lightning Cable



HDMI AOC Cable



STATEMENT OF ENVIRONMENTAL FRIENDLY POLICY

As members of global community, we should all be aware of limited resource consumption and increasing pollution's impact to earth. Our next generation and living animals could live in a dangerous environment without our efforts. Because of this, CviLux Corporation commits to provide environmental friendly products to its clients by using less energy and efficient production. CviLux spirit is to preach such green mind to all the employees and partners who are working closely with us.

Definition:

RoHS Compliant and Lead Free Soldering Process

This letter is released to explain the difference between RoHS compliant and Lead Free Soldering Process. These terms confused R&D designers a lot when they need to select right components and processes for their designs. With this letter, we hope to minimize the confusion and clarify these terms to any one who is interested in this topic.

- RoHS compliant: Indicates raw material of product contained forbidden material within the limitation defined by RoHS directive 2011/65/EU & 2015/863/EU.

- Lead Free Soldering Process: Indicates products themselves can stand specific soldering profile such as J-STD-020C/D or SS-00254.

Currently, there are still no fixed lead free soldering process can be adopted to all kinds of components. For SMT components, the most widely used norms are J-STD-020C/D and SS-00254. As for THT components, JESD22-B106C is the most popular one. CviLux has already set these norms as the standard processes to follow. The details of related soldering temperature of above norms can be found in CviLux product specifications.

Besides, there is still one important concept- It is not a must for RoHS compliant components to adapt Lead Free soldering process. In some cases, it is possible that components are RoHS compliant but not available for lead free soldering process. On the contrary, components available for lead free soldering process are always RoHS compliant. One obvious example is that when cable assemblies can meet RoHS standard, it refers to that the raw materials are environmental friendly only but nothing related to lead free soldering process. PCB components apply the same to the above.

Halogen Free

Halogens are 5 non-metallic elements in group VIIA of the periodic table Fluorine, Chlorine, Bromine, Iodine, Astatine.

Halogens exists, at room temperature, in all three status, Solid (Iodine, Astatine), Liquid (Bromine) and Gas (Fluorine, Chlorine). Currently, only 2 of these 5 elements are normative by IEC, which are Cl and Br.

Why does Halogen Free become new challenges to connector manufacturers? Because the common used connector raw materials like PA66 and PBT are without fire resistance characteristic originally, to strengthen fire resistance characteristic in connector raw materials, Brominated Flame Retardants are used as additive. However, with more and more emphasis on the importance of Halogen Free products, the use of Brominated Flame Retardants becomes more and more difficult and is restricted by content. To adapt this world wide trend, CviLux has had set its standard of Halogens Free policy according to IEC 61249-2-21 and produce the products since Jan, 2008.

- 900 ppm maximum Cl.
- 900 ppm maximum Br.
- 1500 ppm total Halogens.

Meanwhile, as the research of alternative materials/solutions for better performance plastics is progressing, CviLux will take part in this trend and provide its customers with latest technical support.

Cvilux Book Store

Requirement for install

- ◎ Android 4.4 above, iOS 9 above.
- ◎ Cvilux applications will launch on 360 app store soon.

Step 1. iOS/Google Play Key Word Search: CVILUX



Step 3. General Catalogue



Step 2. Download E- Catalogue on the shelf



RoHS Compliant : RoHS Compliant

 : TUV Certified

 : Lead-Free soldering process available

 : UL Certified

 : Halogen-Free

Series	Pitch(mm/inch)	Description	
A. FFC / FPC Connectors			
System CF		Construction of Connector	1
		Connection Combinations of Connector and FFC Cable	2
CF58	0.30(.012")	H=0.90 SMT ZIF FFC/FPC Connectors(Back Lock)	3
CF43	0.30(.012")	H=1.00 SMT ZIF FFC/FPC Connectors (Back Flip)	4
CF38	0.30(.012")	H=1.00 SMT ZIF One-Touch FFC/FPC Connectors	5
CF30	0.30(.012")	H=1.25 SMT ZIF One-Touch FFC/FPC Connectors	6
CF42	0.50(.020")	H=0.96 SMT ZIF One-Touch FFC/FPC Connectors (Back Flip)	7
CF35	0.50(.020")	H=0.96 SMT ZIF One-Touch FFC/FPC Connectors	9
CF55	0.50(.020")	H=1.25 SMT ZIF One-Touch FFC/FPC Connectors	11
CF50	0.50(.020")	H=1.46 SMT ZIF One-Touch FFC/FPC Connectors	12
	1.00(.039")	H=1.46 SMT ZIF One-Touch FFC/FPC Connectors	13
CF61	0.50(.020")	H=1.75 SMT ZIF One-Touch FFC/FPC Connectors	16
CF56	0.50(.020")	H=1.80 SMT ZIF One-Touch FFC/FPC Connectors	20
CF31	0.50(.020")	H=1.95 SMT ZIF One-Touch FFC/FPC Connectors	21
	1.00(.039")	H=1.95 SMT ZIF One-Touch FFC/FPC Connectors	22
CF34	0.50(.020")	H=1.95 SMT ZIF One-Touch FFC/FPC Connectors	23
CF25	0.50(.020")	H=2.20 SMT ZIF One-Touch FFC/FPC Connectors	25
		H=2.40 DIP ZIF One-Touch FFC/FPC Connectors	26
CF25	1.00(.039")	H=2.20 SMT ZIF One-Touch FFC/FPC Connectors	27
		H=2.40 DIP ZIF One-Touch FFC/FPC Connectors	28
CF11	0.50(.020")	H=2.70 SMT ZIF One-Touch FFC/FPC Connectors (Back Flip)	29
	1.00(.039")	H=2.70 SMT ZIF One-Touch FFC/FPC Connectors (Back Flip)	30
CF23	0.50(.020")	H=1.20 SMT ZIF FFC/FPC Connectors	32
	1.00(.039")	H=1.20 SMT ZIF FFC/FPC Connectors	33
CF20	0.50(.020")	H=2.00 SMT ZIF FFC/FPC Connectors	34
		H=3.90 SMT ZIF Vertical FFC/FPC Connectors	35
CF20	1.00(.039")	H=2.00 SMT ZIF FFC/FPC Connectors	36
CF27	0.50(.020")	H=1.20 SMT LIF FFC/FPC Connectors	37
	1.00(.039")	H=1.20 SMT LIF FFC/FPC Connectors	38
CF24	0.50(.020")	H=4.20 SMT LIF Vertical FFC/FPC Connectors	39
CF69	0.50(.020")	H=1.75 SMT LIF One-Touch FFC/FPC Connectors	40
CF76	0.50(.020")	H=2.1 SMT LIF FFC/FPC Connectors	41
CF32	0.80(.031")	H=1.95 SMT ZIF One-Touch FFC/FPC Connectors	42
CF37	0.80(.031")	H=1.95 SMT ZIF One-Touch FFC/FPC Connectors	43
CF10	1.00(.039")	H=3.80/5.00 DIP ZIF FFC/FPC Connectors	44
		H=5.20 SMT ZIF FFC/FPC Connectors	45
CF06	1.00(.039")	H=1.80 SMT LIF FFC/FPC Connectors	46
CF08	1.00(.039")	H=2.60/3.55 SMT LIF & SMT LIF Vertical FFC/FPC Connectors	47
CF09	1.00(.039")	H=2.60/5.50 DIP LIF FFC/FPC Connectors	48
CF16	1.00(.039")	H=3.80/5.00 DIP LIF FFC/FPC Connectors	49
		H=3.80/5.20 SMT LIF FFC/FPC Connectors	50
CF73	1.00(.039")	H=3.30 SMT ZIF One-Toach FFC-FPC Connectors	51
CF12	1.25(.049")	H=4.00/6.80 DIP LIF FFC/FPC Connectors	52

B. Flat Flexible Cables & LVDS FFC Cables

System FFC		Introduction	53
	Features & Applications & Connections		54
	Ordering Code & Terminal Types table		55
	Shape, Construction and Dimensions		56
	Feature & Caution		57
	Performance		58
CFF / CFE	Flat Flexible Cable Assemblies - LVDS FFC Cable		59
FFCA	2.54(.100")	Flat Flexible Cable Assemblies	60

C. LVDS Connectors

CVS1	0.50(.020")	LVDS H=3.70 Socket Connectors for TV	61
CVS3	0.50(.020")	LVDS M/H=2.00 Socket Connectors for Notebook	62
CVS5	0.50(.020")	LVDS M/H=4.00 Socket Connectors for Notebook	63
CVSC	1.00(.039")	LVDS H=2.35 Socket Connectors for TV/Monitor	64
CVS7	0.50(.020")	LVDS M/H=1.05 Socket Connectors	65
CVS8	0.50(.020")	LVDS M/H=1.05 Plug Connectors	66

D. Wire to Board Connectors

CI20	0.60(.024")	Wire to Board Connectors Housing & SMT Headers	67
CI18	0.80(.031")	Wire to Board Connectors Housing & SMT Headers	68
CI11	1.00(.039")	Single Row Wire to Board Connectors Housing & Terminal	69
		Single Row Wire to Board Connectors SMT Headers	70
		Dual Row Wire to Board Connectors Housing & Terminal	71
		Dual Row Wire to Board Connectors SMT Headers	72
CI16	1.00(.039")	Wire to Board Connectors Housing & Terminal	73
		Wire to Board Connectors SMT Headers	74
CI14	1.00(.039")	Wire to Board Connectors Housing & Terminal	75
		Wire to Board Connectors SMT Side Entry Headers	76
		Wire to Board Connectors Housing & SMT Side/Top Entry Headers	78
CI63	1.20(.048")	Wire to Board Connectors Housing & Terminal & SMT Headers	80
		Wire to Board SMT Headers	81
CI40	1.25(.049")	Wire to Board Housing & Terminal & SMT Header	82
CI42	1.25(.049")	Wire to Board Housing & Terminal	84
		Wire to Board SMT Header	85
CI43	1.25(.049")	Wire to Board Connectors Housing & Terminal & SMT Headers	86
CI44	1.25(.049")	Wire to Board Connectors Housing & Terminal	87
		Wire to Board Connectors DIP Headers	88
		Wire to Board Connectors SMT Headers	89
CI45	1.25(.049")	Wire to Board Connectors Housing & SMT Headers	90
CI46	1.25(.049")	Wire to Board Connectors Housing & Terminal	91
		Wire to Board Connectors SMT Headers	92
CIDL	1.25(.049")	Wire to Board Connectors	93
CIDM	1.25(.049")	Wire to Board Connectors	94
CI15	1.50(.059")	Wire to Board Connectors Housing & Terminal	95
		Wire to Board Connectors DIP & SMT Headers	96
		Wire to Board Latch Type Housing & SMT Headers	98
CI19	1.50(.059")	Wire to Board Connectors Housing & Terminal	99
		Wire to Board Connectors SMT Headers	100
CI87	1.50(.059")	Wire to Board Connectors Housing & Terminal & SMT Headers	101
CI07	1.80(.071")	Wire to Board Connectors Housing & Terminal	102
		Wire to Board Connectors SMT Headers	103
CI08	2.00(.079")	Wire to Board Connectors SMT & DIP Headers	104
CI01	2.00(.079")	Single Row Wire to Board IDC Housing & Terminal	105

		Single Row Wire to Board Connectors DIP & SMT Headers	107
		Single Row Wire to Board Latch Type Housing & SMT Header	108
		Dual Row Wire to Board Connectors Housing & Terminal	110
		Dual Row Wire to Board Connectors DIP Headers	111
CI02	2.00(.079")	Board In Connectors	112
CI06	2.00(.079")	Wire to Board Connectors Housing & Terminal	113
		Wire to Board Connectors DIP & SMT Headers	114
CIDJ	2.40(.094"')	Wire to Board Connectors SMT Header	115
CI21	2.50(.098")	Wire to Board Connectors Housing & Terminal	116
		Wire to Board Connectors DIP Headers	117
CI22	2.50(.098")	Wire to Board IDC Connectors Housing & Terminal	118
		Wire to Board IDC Connectors Housing & IDC Cable	119
		Wire to Board IDC Connectors Connectors DIP Header	120
CI23	2.50(.098")	Wire to Board Connectors Housing & Terminal	121
		Wire to Board Connectors DIP Headers	122
CI25	2.50(.098")	Wire to Board Connectors Housing & Terminal	123
		Wire to Board Connectors DIP Headers	124
CI26	2.50(.098")	Board In Connectors	125
CI27	2.50(.098")	Board In Connectors	126
CI91	2.50(.098")	Straight Wire Holder Connectors	127
CI30	2.50(.098")	Wire to Board Connectors DIP Header	128
CI60	2.50(.098")	Wire to Board Connectors DIP Header & Housing & Terminal	129
CI14	2.50(.098")	Wire to Board Connectors SMT Headers	130
CID2	2.54(.100")	IDC type Connectors	131
CI31	2.54(.100")	Wire to Board Connectors Housing & Terminal	132
		Wire to Board Connectors DIP Headers	133
CI32	2.54(.100")	Wire to Board Connectors Housing & Terminal	134
CI34	2.54(.100")	Dual Row Wire to Board Connectors Housing	135
CI33	2.54(.100")	Single Row Wire to Board Connectors Housing	136
		Single Row Wire to Board Connectors DIP Headers	137
		Dual Row Wire to Board Connectors Connectors	138
		Dual Row Wire to Board Connectors	139
CI35	2.54(.100")	Wire to Board Connectors	140
CI39	2.54(.100")	Wire to Board Connectors SMT Headers	141
CI83	2.54(.100")	Friction Lock Breakaway Headers	142
CID7	2.54(.100")	Wire to Board Housing/Terminal/Straight Headers	143
CI11	3.50(.138")	Board to Board connectors	144
CID3	3.96(.156")	IDC type Connectors	146
CI51	3.96(.156")	Wire to Board Connectors Housing & Terminal	147
		Wire to Board Connectors DIP Headers	148
CI52	3.96(.156")	Wire to Board Connectors Housing & Terminal	149
		Wire to Board Connectors DIP Headers	150
	7.92(.312")	Wire to Board Connectors DIP Headers	151
CI82	3.96(.156")	Friction Lock Breakaway Headers	152
CI55	5.08(.200")	Wire to Board Connectors	153
CI77 /CI78	3.96(.156")	Breakaway Pin Headers	154
CI94		Serial ATA Power Crimp Terminal & Receptacle Connectors	155
		Serial ATA Power IDC Type Receptacle Connectors	156
		Serial ATA Power Solder Type Receptacle Connectors	157
		Serial ATA Power Molding Type Receptacle Connectors	158
E. Power Connectors			
CP14	1.50(.059")	Single Row Side Entry SMT Headers	159

TABLE OF CONTANT



CP15	1.50(.059")	SMT Headers	160
CP06	2.50(.098")	Receptacle Connectors	163
	2.50(.098")	Plug Connectors	164
CP25	2.50(.098")	Receptacle Connectors	165
CP35	3.00(.118")	Single Row Housing Connectors	166
		Single Row Board Mount Headers	167
		Single Row Side Entry SMT Headers	168
		Single Row Top Entry SMT Headers	170
		Dual Row Receptacle Connectors	171
		Dual Row Plug Connectors	172
		Dual Row Board Mount Headers	173
		Dual Row Side Entry SMT Headers	174
		Dual Row Top Entry SMT Headers	176
CP-01	4.20(.165")	Power Connectors	177
CP-011	4.20(.165")	Receptacle Connectors	178
		Blind Mating Panel Mount Receptacle Connectors	179
		Receptacle Board Mount Connectors	180
		Assembly Power Connectors	181
CP-012	4.20(.165")	Plug Connectors	182
CP-013	4.20(.165")	Straight DIP Solder Headers	183
CP-014	4.20(.165")	Right Angle DIP Solder Headers	186
CP32	5.08(.200")	Power Connectors	189
CP33	5.08(.200")	IDC & Board Mount Receptacle Power Connectors	190
CP60	5.70(.224")	Dual Row Receptacle & Header	191
F. IDC Connectors			
CA30	1.27(.050")	Male IDC & DIP Type Connectors	193
	1.27(.050")	Male IDC SMT Type Connectors	194
CA31	1.27(.050")	Flat Cable - IDC DIP Plugs	195
		Flat Cable Assemblies	196
CA32	1.27(.050")	Female DIP Type Connectors	197
	1.27(.050")	Female SMT Type Connectors	198
CA33	1.27(.050")	IDC & Crimping Type Connectors	199
CA34	1.27(.050")	Flat Cable - IDC DIP Plugs	200
CA35	1.27(.050")	Male DIP Type Connectors	201
	1.27(.050")	Male SMT Type Connectors	202
CW03	1.27(.050")	Flat Ribbon Cable	203
CA11	2.00(.079")	Center Spacing Flat Cable - IDC Sockets	204
CA21	2.54(.100")	Center Spacing Flat Cable - IDC Sockets	205
CA23	2.54(.100")	Center Spacing Flat Cable - IDC DIP Plugs	206
G. Board To Board Connectors			
System CB		Board To Board Connectors Selection Index	207
CBRB	0.50(.020")	Board To Board Connectors	210
CBRC	0.50(.020")	Board To Board Connectors	212
CBRE	0.50(.020")	Board To Board Connectors	214
CBRD			216
CBC3	0.80(.032")	Dual Row Female Headers	218
CB03	1.00(.039")	SMT Type Single Row Pin Headers	219
CB12	1.00(.039")	Dual Row Female Headers	219
CB01	1.27(.050")	Single Row Female Headers	220
CB50	1.27(.050")	Dual Row Female Headers	221

CBC1	1.27(.050")	Dual Row Female Headers	222
CB22	2.00(.079")	Single Row Female Headers	224
CB74	2.00(.079")	Dual Row Female Headers	225
CB76	2.00(.079")	Dual Row Female Headers	226
CB33	2.54(.100")	Single Row Dual Entry Female Headers	227
CB37	2.54(.100")	Single Row Female Headers	227
CB39	2.54(.100")	Single Row Female Headers	228
CB41	2.54(.100")	Dual Row Female Headers	229
CB83	2.54(.100")	Dual Row Female Headers	230
CB85	2.54(.100")	Dual Row Female Headers	230
CB96	2.54(.100")	Dual Row Elevated Female Headers	231
CB91	2.54(.100")	Dual Row Female Headers	232
CB94	2.54(.100")	Dual Row Female Headers	233
CB97	2.54(.100")	Dual Row Side Entry Female Headers	234
CB98	2.54(.100")	Triple Row Female Headers	234
CB86	2.54(.100")	Dual Row Female Headers	235
H. Pin Header Connectors			
CHC3	0.80(.032")	Dual Row SMT Pin Headers	236
CH07	1.00(.039")	Single Row Board Mount Connectors	237
CH16	1.00(.039")	Dual Row Pin Headers	237
CH01	1.27(.050")	Single Row Pin Headers	238
CH02	1.27(.050")	Single Row Pin Headers	239
CH03	1.27(.050")	Single Row Dual Bodies Pin Headers	240
CH06	1.27(.050")	Straight SMT Dual Row Shrouded Headers	241
CH51	1.27(.050")	Dual Row Pin Headers	242
CH52	1.27(.050")	Dual Row Pin Headers	244
CH57	1.27(.050")	Dual Row Dual Bodies Pin Headers	246
CHC2	1.27(.050")	Dual Row Pin Headers	247
CH11	2.00(.079")	Single Row SMT Pin Headers	250
CH21	2.00(.079")	Single Row Dual Bodies Pin Headers	252
CH70	2.00(.079")	Straight SMT Dual Row Shrouded Headers	253
CH71	2.00(.079")	Dual Row SMT Pin Headers	253
	2.00(.079")	Dual Row Pin Headers	254
CH72	2.00(.079")	Dual Row Pin Headers	255
CH74	2.00(.079")	Dual Row Pin Headers	256
CH75	2.00(.079")	Dual Row Dual Bodies Pin Headers	257
CH34	2.54(.100")	Single Row Dual Bodies Pin Headers	258
CH31	2.54(.100")	Single Row Pin Headers	259
CH81	2.54(.100")	Dual Row SMT & DIP Pin Headers	260
CH85	2.54(.100")	Dual Row Dual Bodies Pin Headers	262
CH87	2.54(.100")	Box Headers	263
CH88	2.54(.100")	Shrouded Box Headers	264
CH79	2.00(.079")	Dual Row Pin Headers	265
I. Sockets			
CS01	2.54(.100")	Dual Row Multiple Shunts	267
CS07	2.54(.100")	DIP Socket - Machined contacts	268
CS09	2.54(.100")	Single in Line Adapter Strip	269
CS10	2.54(.100")	Single in Line SIP Socket	269
CS21	1.27(.050")	DIP PLCC Chip Carrier Socket	270
CS22	1.27(.050")	SMT PLCC Chip Carrier Socket	272

CS30	2.60(.102")	Jumper	273
CS68		Dual DDR2 S.O DIMM Socket	274
CS69		DDR3 S.O DIMM Socket H=4.0	275
		DDR1 & DDR2 S.O DIMM Socket H=5.2	276
CS59/60	0.80(.031")	Mini PCI 4.0H/2.1H 52pin Connectors	277
CS76	0.80(.031")	NGFF Connectors	278
CSM2		Micro SIM Card Connectors	279
CSM1/CSM3		H=3.3mm/1.5mm Dual Type SIM Card Connectors	280
J. D-SUB Connectors			
		D-Sub Shell Size & Printed Circuits Board Hole Patterns	281
		High density D-Sub Straight / Right Angle DIP solder PCB hole patterns	282
		D-Sub Accessories & PCB Mounting Options	283
CD01		High Density Solder D-Sub	284
CD03		High Density Straight DIP Solder D-Sub	285
CD05		High Density Right Angle DIP Solder D-Sub	286
CD51		Solder D-Sub	287
CD52		Crimp Clip D-Sub & Terminal	288
CD53		Straight DIP Solder D-Sub	290
CD61		8.10mm Footprint Right Angle DIP Solder D-Sub	291
CD62		8.10mm Footprint EMI Right Angle DIP Solder D-Sub	292
CD91		Flat Cable - IDC D-Sub	293
CD81		Stacked Right Angle DIP Solder D-Sub	294
CD71		Machined Contact Solder Cup D-Sub	296
CD72		Machined Contact Straight DIP Solder D-Sub	298
CD73		8.10mm Footprint Right Angle DIP solder D-Sub	300
COMBO D-SUB		Contact Arrangements	302
		Mounting Style options	303
		Coaxial Contact for Combination D-Sub	304
		High Power Contact for Combination D-Sub	305
		Combination D-Sub Housing	307
		Coaxial Straight DIP Combination D-Sub	310
		Coaxial Right Angle DIP Combination D-Sub	313
		20A High Power Straight DIP Solder Combination D-Sub	316
		40A High Power Straight DIP Solder Combination D-Sub	319
		20A High Power Right Angle DIP Solder Combination D-Sub	322
		40A High Power Right Angle DIP Solder Combination D-Sub	325
K. Telephone / Modular Jack Connectors			
CJ04		Board Mount Telephone Jacks	328
CJ07		Board Mount Telephone Jacks	329
CJ36		Board Mount Telephone Jacks	329
CJ31		Board Mount Telephone Jacks	330
CJ46		Board Mount Telephone Jacks	332
CJ47		Board Mount Telephone Jacks	332
CJ58		Board Mount Telephone Jacks	332
CJ48		Board Mount Telephone Jacks	333
CJ50		Board Mount Telephone Jacks	334
CJ59		Board Mount Telephone Jacks	335

CJ91	Board Mount Telephone Jacks	336
CJ97	Board Mount Telephone Jacks	337
CJB1	Board Mount Telephone Jacks	339
CJP1		340
CJP2	Telephone Modular Plugs	341
CJE1	Phone Jack Connectors	342
L. I/O Connectors		
CU01	USB 2.0 Type-A Board Mount Plug Connectors	343
	USB 2.0 Type-A Receptacle Connectors	344
CU02	USB 2.0 Type-B Receptacle Connectors	347
CU04	Mini USB2.0 5 Circuits Receptacle SMT/DIP Connectors	348
CU09	Micro USB 2.0 Connectors	349
CU05	IEEE 1394 Shielded I/O Receptacle Connectors	350
CU11	HDMI Receptacle Connectors	351
USB 3.1 TYPE C		352
CU18	USB 2.0/3.1 Type C Plug Connectors	353
	USB 3.1 Type C Top Mount Type Socket	358
	USB 3.1 Type C Middle Mount Type Socket Connectors	362
M. RF / Microwave Coaxial Connectors		
CRA	Micro Coaxial Connectors & Cable	365

D-Sub Shell Size

D-SUB CONNECTOR	HIGH DENSITY D-SUB CONNECTOR		SHELL SIZE
9 Positions	15 Positions	E	
15 Positions	26 Positions	A	
25 Positions	44 Positions	B	
37 Positions	62 Positions	C	
50 Positions	78 Positions	D	

D-Sub Printed Circuits Board Hole Patterns

<p>9 Positions</p>	<p>25 Positions</p>
<p>15 Positions</p>	<p>37 Positions</p>
<p>50 Positions</p>	

CD

D-SUB CONNECTORS

High Density D-Sub Straight DIP Solder Printed Circuits Board Hole Patterns

	Plug	Receptacle
15 Positions		
26 Positions		
44 Positions		
62 Positions		

CD

High Density D-Sub Right Angle DIP Solder Printed Circuits Board Hole Patterns

	Plug	Receptacle
15 Positions		
26 Positions		
44 Positions		
62 Positions		

D-SUB CONNECTORS

D-Sub Accessories

<p>P/N : CDHWE123000</p> <table border="1"> <thead> <tr> <th>Nº</th> <th>PART NO.</th> <th>DESCRIPTION</th> </tr> </thead> <tbody> <tr> <td>1</td> <td>CDHWE105S00</td> <td>ATTACHED SCREW</td> </tr> <tr> <td>2</td> <td>CDHW0001W00</td> <td>FLAT WASHER</td> </tr> <tr> <td>3</td> <td>CDHW0002W00</td> <td>SPLIT WASHER</td> </tr> <tr> <td>4</td> <td>CDHWE101N00</td> <td>NUT</td> </tr> </tbody> </table>	Nº	PART NO.	DESCRIPTION	1	CDHWE105S00	ATTACHED SCREW	2	CDHW0001W00	FLAT WASHER	3	CDHW0002W00	SPLIT WASHER	4	CDHWE101N00	NUT	<p>P/N : CDHWE124000</p> <table border="1"> <thead> <tr> <th>Nº</th> <th>PART NO.</th> <th>DESCRIPTION</th> </tr> </thead> <tbody> <tr> <td>1</td> <td>CDHWE106S00</td> <td>ATTACHED SCREW</td> </tr> <tr> <td>2</td> <td>CDHWE101N00</td> <td>NUT</td> </tr> </tbody> </table>	Nº	PART NO.	DESCRIPTION	1	CDHWE106S00	ATTACHED SCREW	2	CDHWE101N00	NUT	<p>P/N : CDHWE128000</p> <p>P/N : CDHWE108S00</p> <p>P/N : CDHW0004L00</p>
Nº	PART NO.	DESCRIPTION																								
1	CDHWE105S00	ATTACHED SCREW																								
2	CDHW0001W00	FLAT WASHER																								
3	CDHW0002W00	SPLIT WASHER																								
4	CDHWE101N00	NUT																								
Nº	PART NO.	DESCRIPTION																								
1	CDHWE106S00	ATTACHED SCREW																								
2	CDHWE101N00	NUT																								
<p>P/N : CDHWE110S00</p>	<p>P/N : CDHWE***S00</p> <table border="1"> <thead> <tr> <th>Part No.</th> <th>Dimension A</th> </tr> </thead> <tbody> <tr> <td>CDHWE101S00</td> <td>11.8(.465)</td> </tr> <tr> <td>CDHWE105S00</td> <td>12.7(.500)</td> </tr> <tr> <td>CDHWE106S00</td> <td>10.0(.394)</td> </tr> <tr> <td>CDHWE107S00</td> <td>17.8(.701)</td> </tr> </tbody> </table>	Part No.	Dimension A	CDHWE101S00	11.8(.465)	CDHWE105S00	12.7(.500)	CDHWE106S00	10.0(.394)	CDHWE107S00	17.8(.701)															
Part No.	Dimension A																									
CDHWE101S00	11.8(.465)																									
CDHWE105S00	12.7(.500)																									
CDHWE106S00	10.0(.394)																									
CDHWE107S00	17.8(.701)																									

D-Sub PCB Mounting Options

<p>O Riveted front and rear shell with ϕ 3.05mm Hole</p>	<p>C Riveted #4-40 UNC open nuts on rear shell DIM. L= 4.0mm (Standard)</p>	<p>D Riveted #4-40 UNC close ground stand-off on rear shell</p> <p>Stamped contact (DIM. L= 6.0 mm) Machined contact (DIM. L= 7.4 mm)</p>
<p>A Riveted #4-40 UNC close nuts on front shell DIM. L= 5.8mm (Standard)</p>	<p>F Riveted ground hooks with #4-40 UNC open</p>	<p>I Riveted ground tabs with #4-40 UNC open</p> <p>Stamped contact Machined contact</p>
<p>B Riveted #4-40 UNC open nuts on front shell DIM. L= 4.0mm (Standard)</p>	<p>G Riveted ground hooks pre-loaded #4-40 UNC Hex screws</p>	<p>J Assembly ground hooks by #4-40 UNC Hex screws</p> <p>Stamped contact Machined contact</p>

CD

D-SUB CONNECTORS

CD01 Series High Density Solder D-Sub

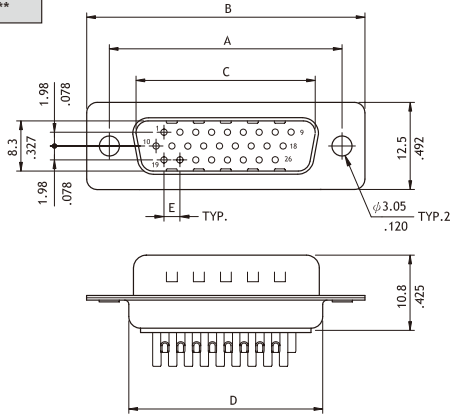
- ⊙ Mate with high density D-Sub
- ⊙ With metal shell and solder contacts
- ⊙ Riveted Hex nuts options available



RoHS Compliant

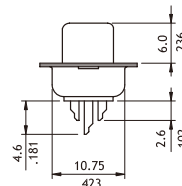


P/N CD01**PA1**

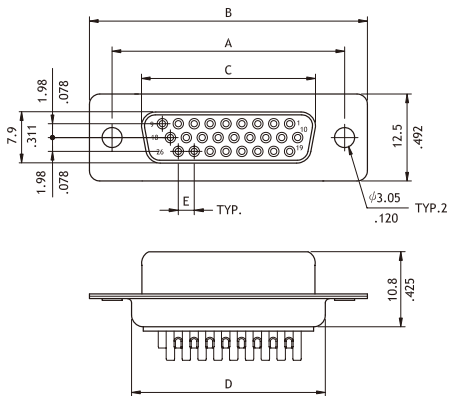


Plug Connector

Circuits	Dimension				
	A	B	C	D	E
15	25.0(.984)	30.8(1.213)	16.92(.666)	19.2(.756)	2.29(.090)
26	33.32(1.312)	39.2(1.543)	25.25(.994)	27.7(1.091)	2.29(.090)
44	47.04(1.852)	53.1(2.091)	38.96(1.534)	41.1(1.618)	2.29(.090)
62	63.5(2.500)	69.4(2.732)	55.42(2.182)	57.3(2.256)	2.41(.095)

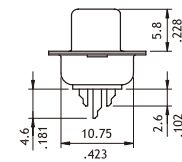


P/N CD01**SA1**



Receptacle connector

Circuits	Dimension				
	A	B	C	D	E
15	25.0(.984)	30.8(1.213)	16.3(.642)	19.3(.760)	2.29(.090)
26	33.32(1.312)	39.2(1.543)	24.6(.969)	27.7(1.091)	2.29(.090)
44	47.04(1.852)	53.1(2.091)	38.3(1.508)	41.1(1.618)	2.29(.090)
62	63.5(2.500)	69.4(2.732)	54.8(2.157)	57.3(2.256)	2.41(.095)



CD

D-SUB CONNECTORS

Ordering Code

① CD 0 1 ② 1 5 ③ P ④ A ⑤ 1 ⑥ 0 0

- ① Series No.
- ② No. of Circuits: 15, 26, 44, 62
- ③ Connector Type: P = Plug
S = Receptacle
- ④ Plating Option: A = Selective Gold flash over Nickel
*Optional plating available but MOQ requested
- ⑤ Insulator Color: 1 = Black
*Optional insulator color consult manufacturer
- ⑥ Other Options:
00 = With ϕ 3.05mm holes on shell (Standard)
A0 = Riveted #4-40 UNC Close nuts on Front shell
B0 = Riveted #4-40 UNC Open nuts on Front shell
C0 = Riveted #4-40 UNC Open nuts on Rear shell
*Special options consult manufacturer

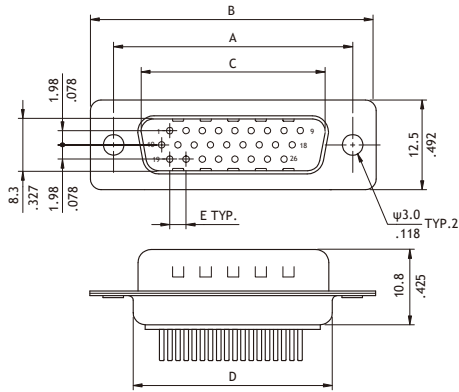
CD03 Series High Density Straight DIP Solder D-Sub

- ⊙ Mate with high density D-Sub
- ⊙ With metal shell and solder contacts
- ⊙ Optional riveted Hex nuts or ground stand-off

RoHS Compliant

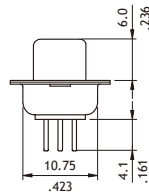


P/N CD03**PA1**

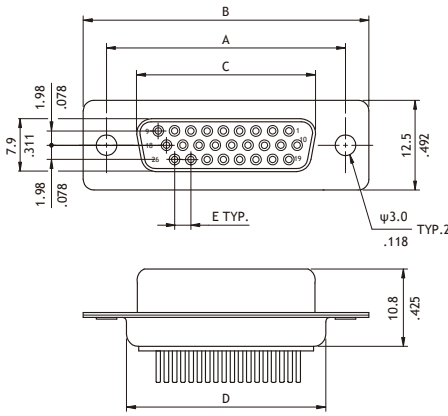


Plug Connector

Circuits	Dimension				
	A	B	C	D	E
15	25.0(.984)	30.8(1.213)	16.92(.666)	19.2(.756)	2.29(.090)
26	33.32(1.312)	39.2(1.543)	25.25(.994)	27.7(1.091)	2.29(.090)
44	47.04(1.852)	53.1(2.091)	38.96(1.534)	41.1(1.618)	2.29(.090)
62	63.5(2.500)	69.4(2.732)	55.42(2.182)	57.3(2.256)	2.41(.095)

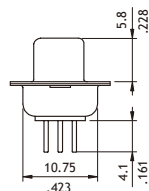


P/N CD03**SA1**



Receptacle connector

Circuits	Dimension				
	A	B	C	D	E
15	25.0(.984)	30.8(1.213)	16.3(.642)	19.2(.756)	2.29(.090)
26	33.32(1.312)	39.2(1.543)	24.6(.969)	27.7(1.091)	2.29(.090)
44	47.04(1.852)	53.1(2.091)	38.3(1.508)	41.1(1.618)	2.29(.090)
62	63.5(2.500)	69.4(2.732)	54.8(2.157)	57.3(2.256)	2.41(.095)



Ordering Code

① CD ② 03 ③ P ④ A ⑤ 1 ⑥ 00

- ① Series No.
- ② No. of Circuits: 15, 26, 44, 62
- ③ Connector Type: P = Plug
S = Receptacle
- ④ Plating Option: A = Selective Gold flash over Nickel
*Optional plating available but MOQ requested
- ⑤ Insulator Color: 1 = Black
*Optional insulator color consult manufacturer
- ⑥ Other Options:
00 = With ϕ 3.05mm holes on shell (Standard)
B0 = Riveted #4-40 UNC Open nuts on Front shell
C0 = Riveted #4-40 UNC Open nuts on Rear shell
D0 = Riveted #4-40 UNC Ground stand-off on Rear shell
*Special options consult manufacturer

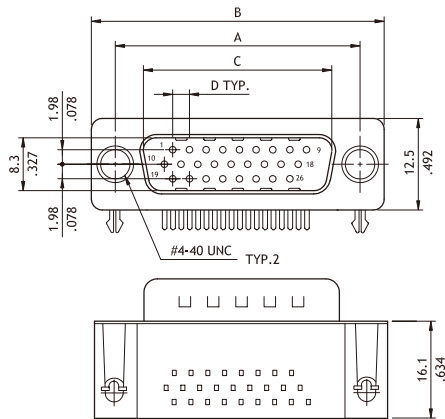
CD05 Series High Density Right Angle DIP Solder D-Sub

- ⊙ Mate with high density D-Sub
- ⊙ With metal shell and solder contacts
- ⊙ Riveted ground hooks or tab options



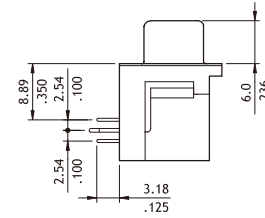
RoHS Compliant

P/N CD05**P*1**

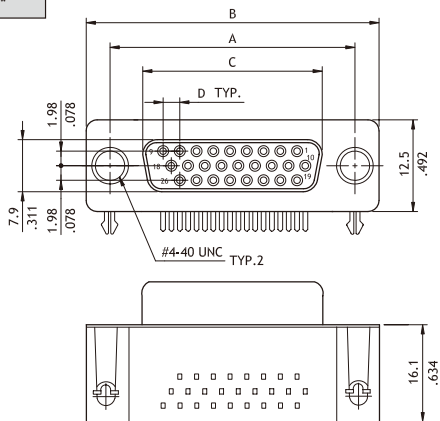


Plug Connector

Circuits	Dimension			
	A	B	C	D
15	25.0(.984)	30.8(1.213)	16.92(.666)	2.29(.090)
26	33.32(1.312)	39.2(1.543)	25.25(.994)	2.29(.090)
44	47.04(1.852)	53.1(2.091)	38.96(1.534)	2.29(.090)

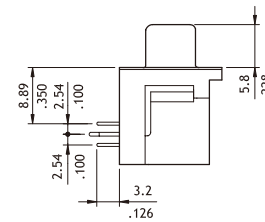


P/N CD05**S*1**



Receptacle connector

Circuits	Dimension			
	A	B	C	D
15	25.0(.984)	30.8(1.213)	16.3(.642)	2.29(.090)
26	33.32(1.312)	39.2(1.543)	24.6(.969)	2.29(.090)
44	47.04(1.852)	53.1(2.091)	38.3(1.508)	2.29(.090)



CD

D-SUB CONNECTORS

Ordering Code

① CD05 ② 15 ③ P ④ 2 ⑤ 1 ⑥ F0

- ① Series No.
- ② No. of Circuits: 15, 26, 44
- ③ Connector Type: P = Plug , S = Receptacle
- ④ Plating Option: 2 = Gold flash over Nickel
A = Selective Gold flash over Nickel
*Optional plating available but MOQ requested
- ⑤ Insulator Color: 1 = Black
*Optional insulator color consult manufacturer

- ⑥ Other Options:
F0 = Riveted ground hooks with #4-40 UNC Open (Standard)
I0 = Riveted ground tabs thread #4-40 UNC Open and ground tabs with ϕ 3.2mm holes
0 = Assmely ground hooks by #4-40 UNC Hex screws
G0 = Riveted ground hooks pre-loaded #4-40 UNC Hex screws
*Special options consult manufacturer

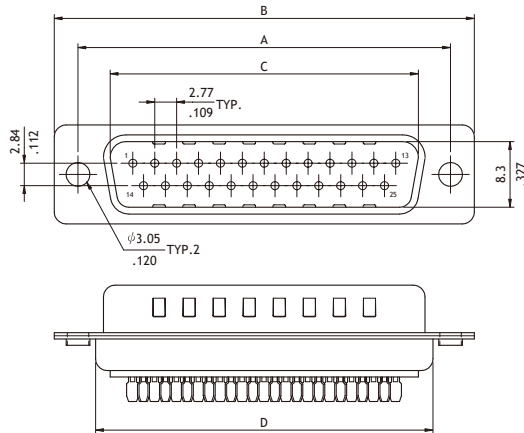
CD51 Series Solder D-Sub

- ⊙ Mate with standard D-Sub
- ⊙ With metal shell and solder contacts
- ⊙ Riveted Hex nuts options available



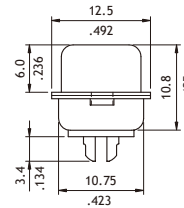
RoHS Compliant

P/N CD51**PA1**

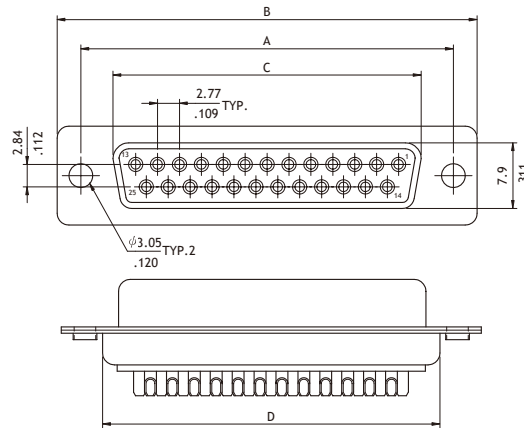


Plug Connector

Circuits	Dimension			
	A	B	C	D
9	25.0(.984)	30.8(1.213)	16.92(.666)	19.2(.756)
15	33.32(1.312)	39.2(1.543)	25.25(.994)	27.7(1.091)
25	47.04(1.852)	53.1(2.091)	38.96(1.534)	41.1(1.618)
37	63.5(2.500)	69.4(2.732)	55.42(2.182)	57.3(2.256)

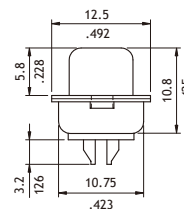


P/N CD51**SA1**



Receptacle Connector

Circuits	Dimension			
	A	B	C	D
9	25.0(.984)	30.8(1.213)	16.3(.642)	19.2(.756)
15	33.32(1.312)	39.2(1.543)	24.6(.969)	27.7(1.091)
25	47.04(1.852)	53.1(2.091)	38.3(1.508)	41.1(1.618)
37	63.5(2.500)	69.4(2.732)	54.8(2.157)	57.3(2.256)



Ordering Code

① CD ② 51 ③ P ④ A ⑤ 1 ⑥ 00

- ① Series No.
- ② No. of Circuits: 09, 15, 25, 37
- ③ Connector Type: P = Plug
S = Receptacle
- ④ Plating Option: A = Selective Gold flash over Nickel
*Optional plating available but MOQ requested
- ⑤ Insulator Color: 1 = Black
*Optional insulator color consult manufacturer

- ⑥ Other Options:
00 = With $\phi 3.05$ mm holes on shell (Standard)
A0 = Riveted #4-40 UNC Close nuts on Front shell
B0 = Riveted #4-40 UNC Open nuts on Front shell
C0 = Riveted #4-40 UNC Open nuts on Rear shell
*Special options consult manufacturer

CD

D-SUB CONNECTORS

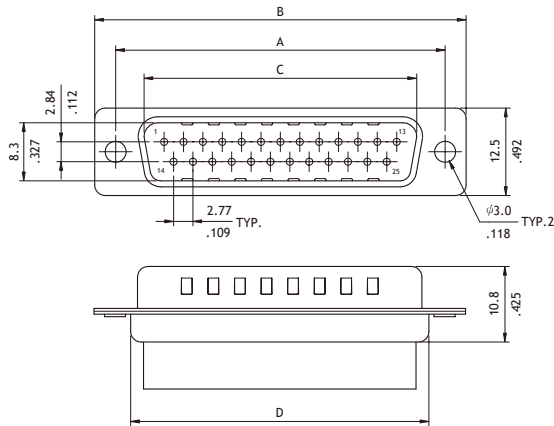
CD52 Series Crimp Clip D-Sub

- ⊙ Mate with standard D-Sub
- ⊙ Riveted Hex nuts options available



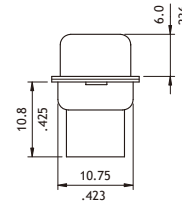
RoHS Compliant

P/N CD52**P01**

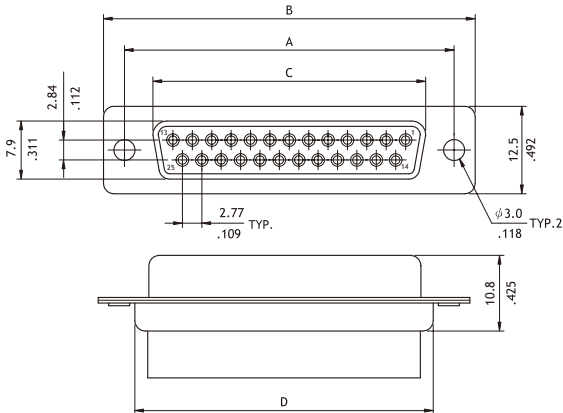


Plug Connector

Circuits	Dimension			
	A	B	C	D
9	25.0(.984)	30.8(1.213)	16.92(.666)	19.2(.756)
15	33.32(1.312)	39.2(1.543)	25.25(.994)	27.7(1.091)
25	47.04(1.852)	53.1(2.091)	38.96(1.534)	41.1(1.618)
37	63.5(2.500)	69.4(2.732)	55.42(2.182)	57.3(2.256)

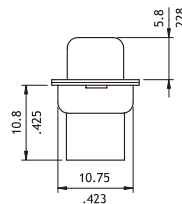


P/N CD52**S01**



Receptacle Connector

Circuits	Dimension			
	A	B	C	D
9	25.0(.984)	30.8(1.213)	16.3(.642)	19.2(.756)
15	33.32(1.312)	39.2(1.543)	24.6(.969)	27.7(1.091)
25	47.04(1.852)	53.1(2.091)	38.3(1.508)	41.1(1.618)
37	63.5(2.500)	69.4(2.732)	54.8(2.157)	57.3(2.256)



CD

D-SUB CONNECTORS

Ordering Code

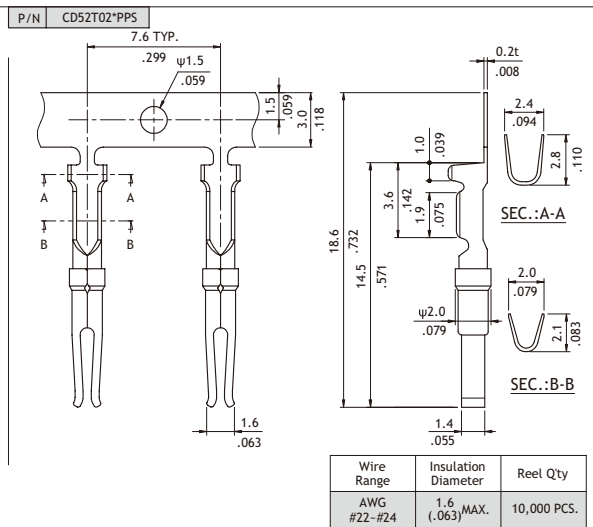
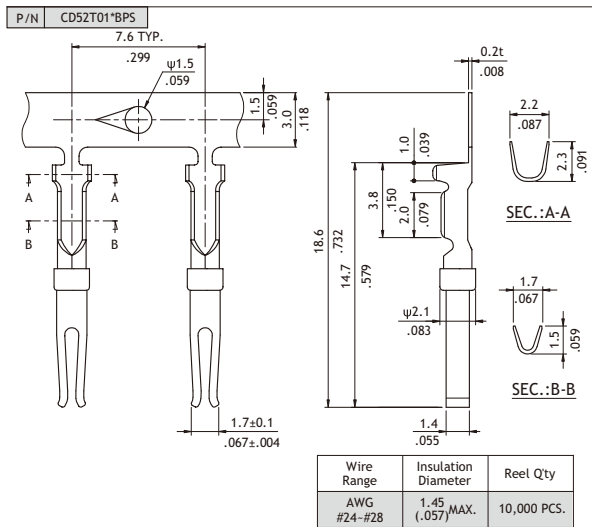
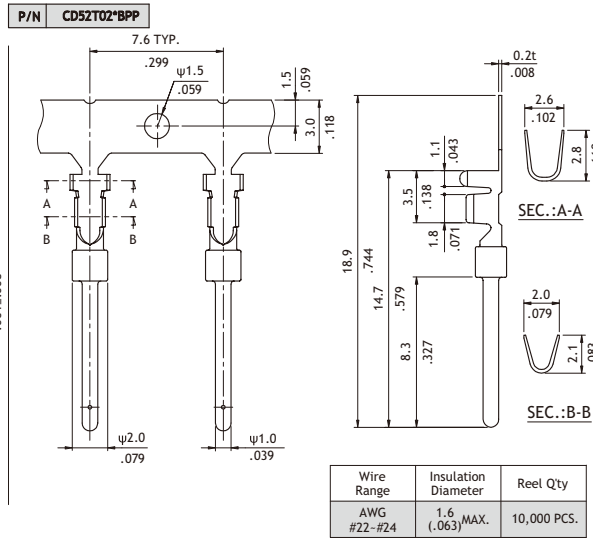
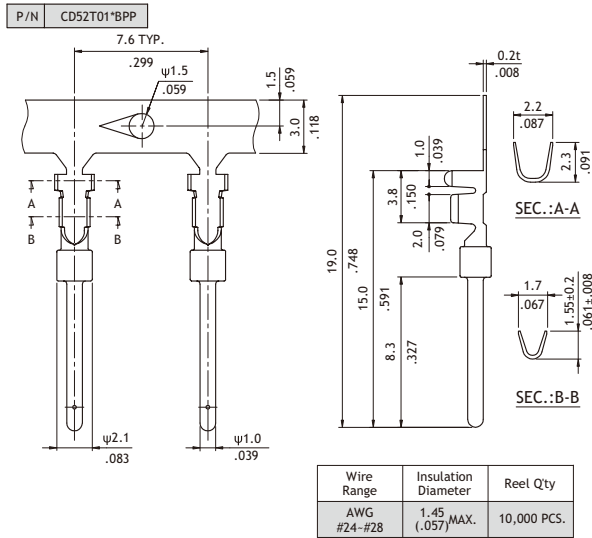
① **CD52** ② **25** ③ **P0** ④ **1** ⑤ **00**

- ① Series No.
- ② No. of Circuits: 09, 15, 25, 37
- ③ Connector Type: P0 = Plug
S0 = Receptacle
- ④ Insulator Color: 1 = Black
*Optional insulator color consult manufacturer
- ⑤ Other Options:
00 = With ϕ 3.05mm holes on shell (Standard)
A0 = Riveted #4-40 UNC Close nuts on Front shell
B0 = Riveted #4-40 UNC Open nuts on Front shell
C0 = Riveted #4-40 UNC Open nuts on Rear shell
*Special options consult manufacturer

CD52 Series Crimp Clip Terminal

- ⊙ Mate with CvILux CD52 D-Sub
- ⊙ Low insertion force

RoHS Compliant



Ordering Code

① CD 52 ② T 01 ③ A ④ B ⑤ P P

- ① Series No.
- ② Terminal Style:
T01 = for AWG #24 ~ #28
T02 = for AWG #22 ~ #24
- ③ Plating Code:
A = Selective Gold flash over Nickel
*Optional plating available but MOQ requested
- ④ Material: B = Brass (Plug)
P = Phosphor Bronze (Receptacle)
- ⑤ Type: PP = Plug Terminal
PS = Receptacle Terminal

CD

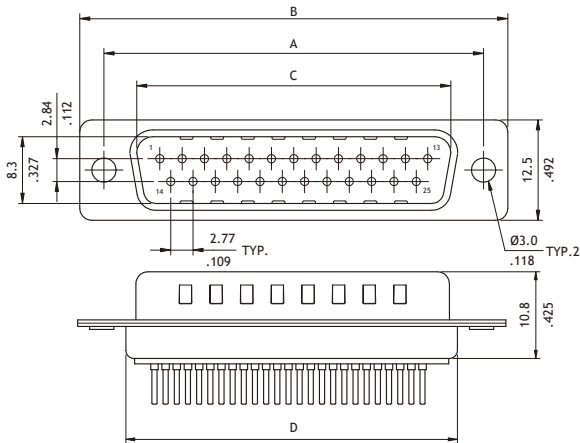
D-SUB CONNECTORS

CD53 Series Straight DIP Solder D-Sub

- ⊙ Mate with standard D-Sub
- ⊙ With metal shell and solder contacts
- ⊙ Riveted Hex nuts options available

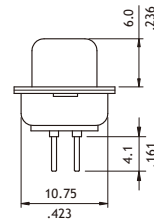


RoHS Compliant

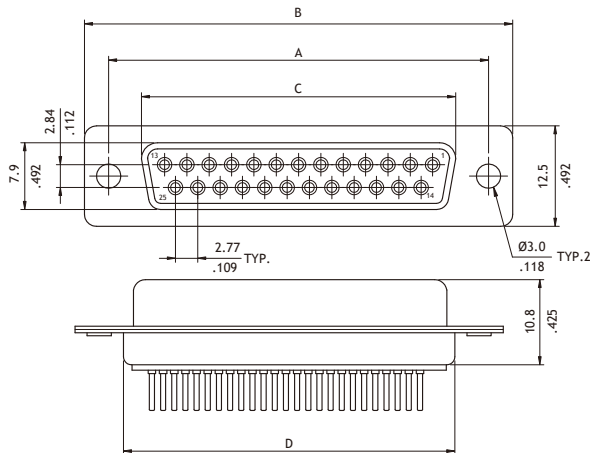


Plug Connector

Circuits	Dimension			
	A	B	C	D
9	25.0(.984)	30.8(1.213)	16.92(.666)	19.2(.756)
15	33.32(1.312)	39.2(1.543)	25.25(.994)	27.7(1.091)
25	47.04(1.852)	53.1(2.091)	38.96(1.534)	41.1(1.618)
37	63.5(2.500)	69.4(2.732)	55.42(2.182)	57.3(2.256)

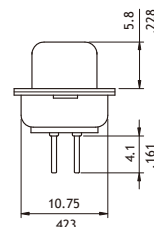


CD



Receptacle connector

Circuits	Dimension			
	A	B	C	D
9	25.0(.984)	30.8(1.213)	16.3(.642)	19.2(.756)
15	33.32(1.312)	39.2(1.543)	24.6(.969)	27.7(1.091)
25	47.04(1.852)	53.1(2.091)	38.3(1.508)	41.1(1.618)
37	63.5(2.500)	69.4(2.732)	54.8(2.157)	57.3(2.256)



Ordering Code

① **CD53** ② **25** ③ **P** ④ **2** ⑤ **1** ⑥ **00**

- ① Series No.
- ② No. of Circuits: 09, 15, 25, 37
- ③ Connector Type:
P = Plug (Male) S = Receptacle (Female)
- ④ Plating Option:
2 = Gold flash over Nickel
A = Selective Gold flash over Nickel
*Optional plating available but MOQ requested
- ⑤ Insulator Color: 1 = Black
*Optional insulator color consult manufacturer
- ⑥ Other Options:
00 = With ϕ 3.05mm holes on shell (Standard)
B0 = Riveted #4-40 UNC Open nuts on Front shell
C0 = Riveted #4-40 UNC Open nuts on Rear shell
D0 = Riveted #4-40 UNC Ground stand-off on Rear shell
*Special options consult manufacturer

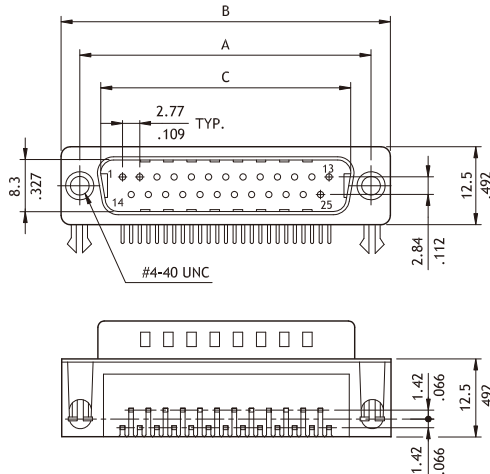
D-SUB CONNECTORS

CD61 Series 8.10mm Footprint Right Angle DIP Solder D-Sub

- ⊙ Mate with standard D-Sub
- ⊙ With metal shell and solder contacts
- ⊙ Ground hooks or ground tabs available

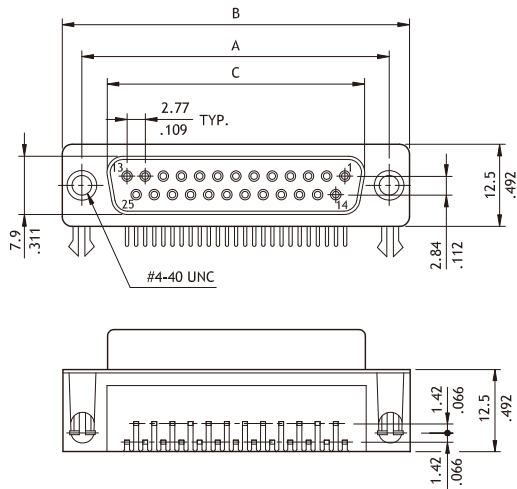
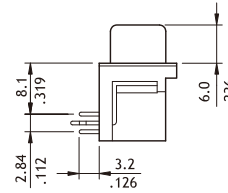


RoHS Compliant



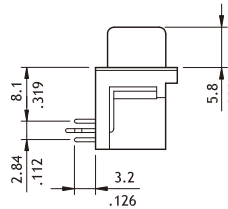
Plug Connector

Circuits	Dimension		
	A	B	C
9	25.0(.984)	30.8(1.213)	16.92(.666)
15	33.32(1.312)	39.2(1.543)	25.25(.994)
25	47.04(1.852)	53.1(2.091)	38.96(1.534)
37	63.5(2.500)	69.4(2.732)	55.42(2.182)



Receptacle connector

Circuits	Dimension		
	A	B	C
9	25.0(.984)	30.8(1.213)	16.3(.642)
15	33.32(1.312)	39.2(1.543)	24.6(.969)
25	47.04(1.852)	53.1(2.091)	38.3(1.508)
37	63.5(2.500)	69.4(2.732)	54.8(2.157)



Ordering Code

① CD 6 1 ② 25 ③ P ④ 2 ⑤ 1 ⑥ F 0

- ① Series No.
- ② No. of Circuits: 09, 15, 25, 37
- ③ Connector Type: P = Plug
S = Receptacle
- ④ Plating Option:
2 = Gold flash over Nickel
A = Selective Gold flash over Nickel
*Optional plating available but MOQ requested
- ⑤ Insulator Color: 1 = Black
*Optional insulator color consult manufacturer
- ⑥ Other Options:
F0 = Riveted ground hooks with #4-40 UNC Open (Standard)
0 = Assembly ground hooks by #4-40 UNC Hex screws
G0 = Riveted ground hooks pre-loaded #4-40 UNC Hex screws
*Special options consult manufacturer

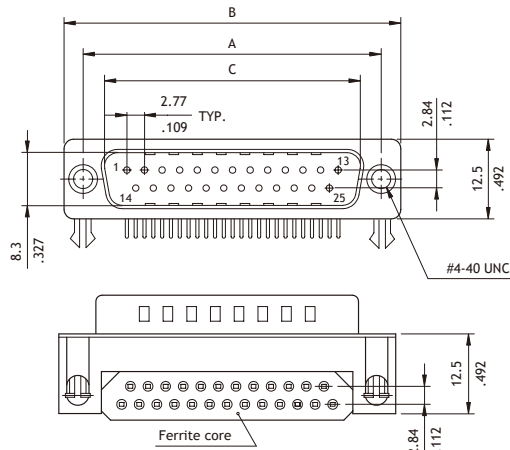
CD62 Series 8.10mm Footprint EMI Right Angle DIP Solder D-Sub

- ⊙ Mate with standard D-Sub
- ⊙ With ferrite core
- ⊙ Optional ground hooks or ground tabs

RoHS Compliant

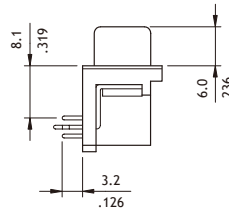


P/N CD62**P*1**

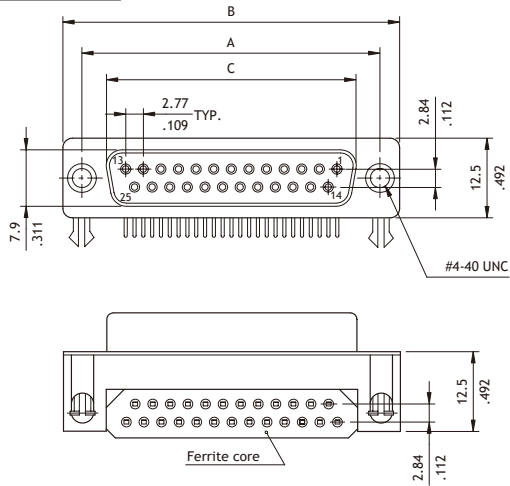


Plug Connector

Circuits	Dimension		
	A	B	C
9	25.0(.984)	30.8(1.213)	16.92(.666)
15	33.32(1.312)	39.2(1.543)	25.25(.994)
25	47.04(1.852)	53.1(2.087)	38.96(1.534)
37	63.5(2.500)	69.4(2.732)	55.42(2.182)

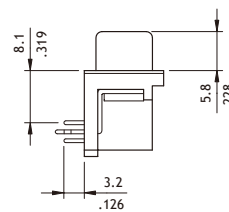


P/N CD62**S*1**



Receptacle Connector

Circuits	Dimension		
	A	B	C
9	25.0(.984)	30.8(1.213)	16.3(.642)
15	33.32(1.312)	39.2(1.543)	24.6(.969)
25	47.04(1.852)	53.1(2.091)	38.3(1.508)
37	63.5(2.500)	69.4(2.732)	54.8(2.157)



CD

Ordering Code

① ② ③ ④ ⑤ ⑥
CD62 25 P 2 1 F0

- ① Series No.
- ② No. of Circuits: 09, 15, 25, 37
- ③ Connector Type: P = Plug
S = Receptacle
- ④ Plating Option:
2 = Gold flash over Nickel
*Optional plating available but MOQ requested
- ⑤ Insulator Color: 1 = Black
- ⑥ Other Options:
F0 = Riveted ground hooks with #4-40 UNC Open (Standard)
I0 = Riveted ground tabs thread #4-40 UNC Open and ground tabs with ϕ 3.2mm holes
0 = Assembly ground hooks by #4-40 UNC Hex screws
G0 = Riveted ground hooks pre-loaded #4-40 UNC Hex screws
*Special options consult manufacturer

D-SUB CONNECTORS

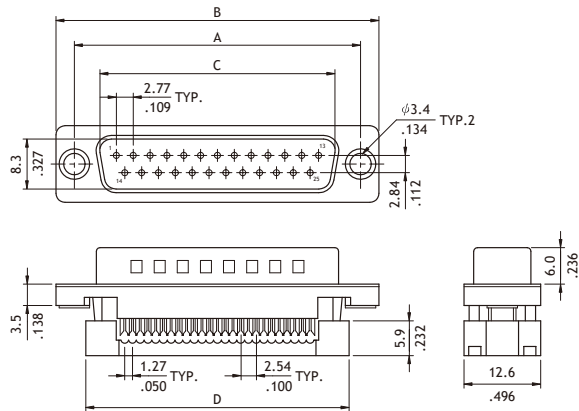
CD91 Series Flat Cable - IDC D-Sub

- ⊙ Mate with standard D-Sub and CW03
- ⊙ Flat Ribbon Cable
- ⊙ $\phi 3.4\text{mm}$ holes or riveted insert nuts available

RoHS Compliant

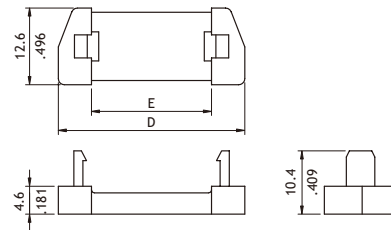


P/N CD91**PA***



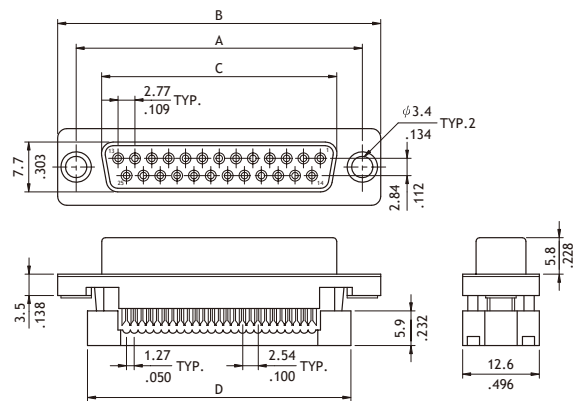
Plug Connector

Circuits	Dimension				
	A	B	C	D	E
9	25.0(.984)	30.8(1.213)	16.92(.666)	22.4(.882)	12.08(.476)
15	33.3(1.311)	39.2(1.543)	25.25(.994)	30.8(1.213)	19.7(.776)
25	47.1(1.854)	53.1(2.091)	38.96(1.534)	44.5(1.752)	32.4(1.276)
37	63.5(2.500)	69.4(2.732)	55.42(2.182)	61.4(2.417)	47.72(1.879)



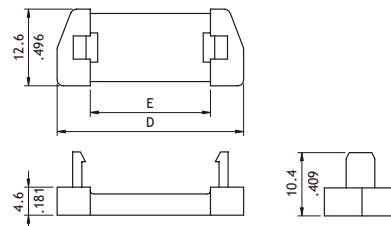
Strain relief

P/N CD91**SA***



Receptacle Connector

Circuits	Dimension				
	A	B	C	D	E
9	25.0(.984)	30.8(1.213)	16.3(.642)	22.4(.882)	12.08(.476)
15	33.3(1.311)	39.2(1.543)	24.6(.969)	30.8(1.213)	19.7(.776)
25	47.1(1.854)	53.1(2.091)	38.3(1.508)	44.5(1.752)	32.4(1.276)
37	63.5(2.500)	69.4(2.732)	54.8(2.157)	61.4(2.417)	47.72(1.879)



Strain relief

Ordering Code

① ② ③ ④ ⑤ ⑥
CD91 25 P A 1 S0

- ① Series No.
- ② No. of Circuits: 09, 15, 25, 37
- ③ Connector Type: P = Plug
S = Receptacle
- ④ Plating Option: A = Selective Gold flash over Nickel
*Optional plating available but MOQ requested
- ⑤ Insulator Color: 1 = Black
7 = Blue
- ⑥ Other Options:
S0 = Metal shell with $\phi 3.4\text{mm}$ holes with S/R (Standard)
S1 = Metal shell #4-40 UNC insert nuts with S/R
*Special options consult manufacturer

CD

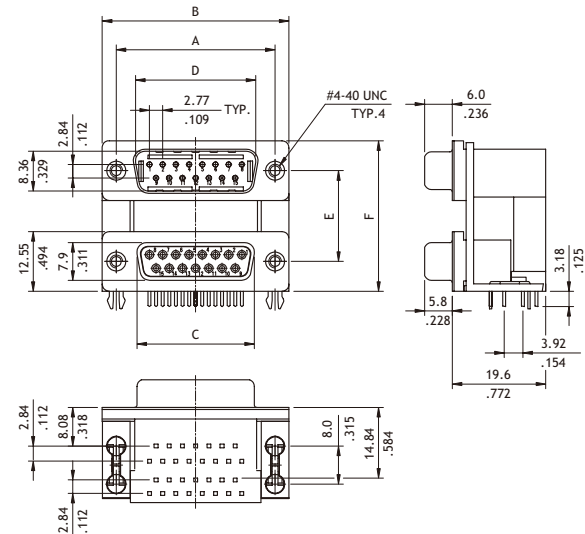
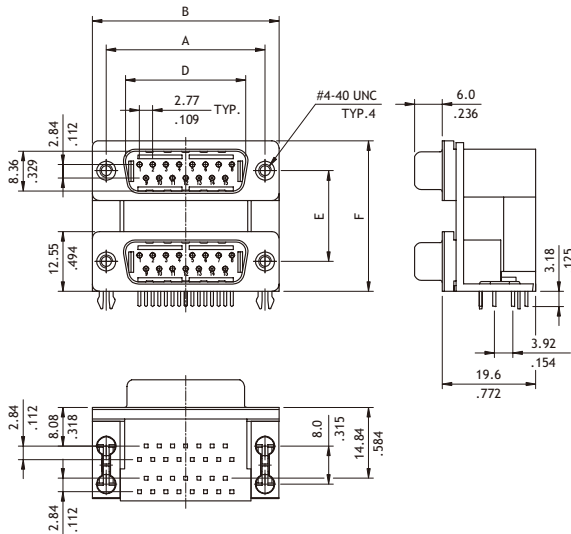
D-SUB CONNECTORS

CD81 Series Stacked Right Angle DIP Solder D-Sub

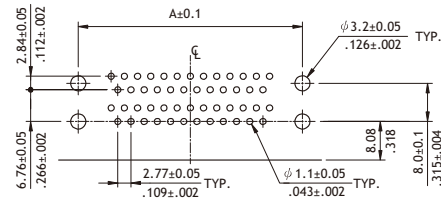
- ⊙ Mate with standard D-Sub
- ⊙ With metal shell and solder tails
- ⊙ Optional row spacing and position
- ⊙ In various pin configuration



RoHS Compliant



CVILUX P/N	Dimension				
	A	B	D	E	F
CD81V1P**A*	24.99(.984)	30.81(1.213)	16.92(.666)	15.88(.625)	28.43(1.119)
CD81V2P**A*	33.32(1.312)	39.19(1.543)	25.25(.994)		
CD81V3P**A*	47.04(1.852)	53.04(2.088)	38.96(1.534)		
CD81V7P**A*	63.50(2.500)	69.32(2.729)	55.42(2.182)		
CD81V1P**B*	24.99(.984)	30.81(1.213)	16.92(.666)	19.05(.750)	31.60(1.244)
CD81V2P**B*	33.32(1.312)	39.19(1.543)	25.25(.994)		
CD81V3P**B*	47.04(1.852)	53.04(2.088)	38.96(1.534)		
CD81V7P**B*	63.50(2.500)	69.32(2.729)	55.42(2.182)		
CD81V1P**C*	24.99(.984)	30.81(1.213)	16.92(.666)	22.86(.900)	35.41(1.394)
CD81V2P**C*	33.32(1.312)	39.19(1.543)	25.25(.994)		
CD81V3P**C*	47.04(1.852)	53.04(2.088)	38.96(1.534)		
CD81V7P**C*	63.50(2.500)	69.32(2.729)	55.42(2.182)		



Recommended PCB Layout

Ordering Code

① **CD81** ② **V1** ③ **PP** ④ **A** ⑤ **A** ⑥ **C**

- ① Series No.
- ② Contacts configuration:
V1 = 9 to 9, V2 = 15 to 15
V3 = 25 to 25, V4 = 9 to 25
V5 = 25 to 9, V6 = 25 to 15
V7 = 37 to 37
- ③ Connector Type: PP = Plug to plug
PS = Plug to receptacle
- ④ Plating Options: A = Selective Gold flash over Nickel
*Optional plating available but MOQ requested
- ⑤ Row Spacing: A: DIM.E = 15.88mm, B: DIM.E = 19.05mm
C: DIM.E = 22.86mm
- ⑥ Other Options:
C = Riveted ground hooks with #4-40 UNC open (Standard)
S = Riveted ground hooks pre-loaded #4-40 UNC Hex screws
*Special options consult manufacturer

CD

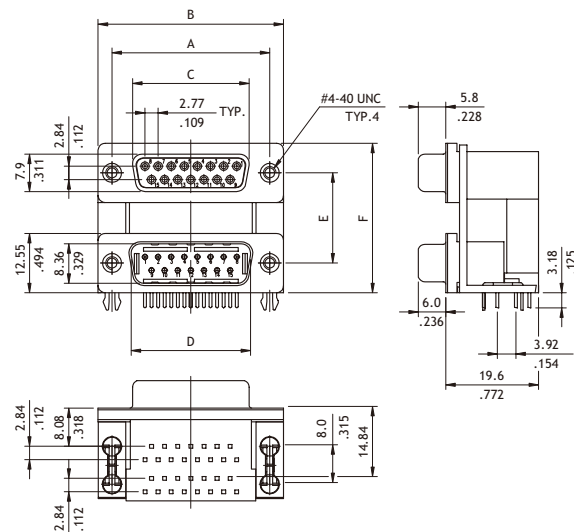
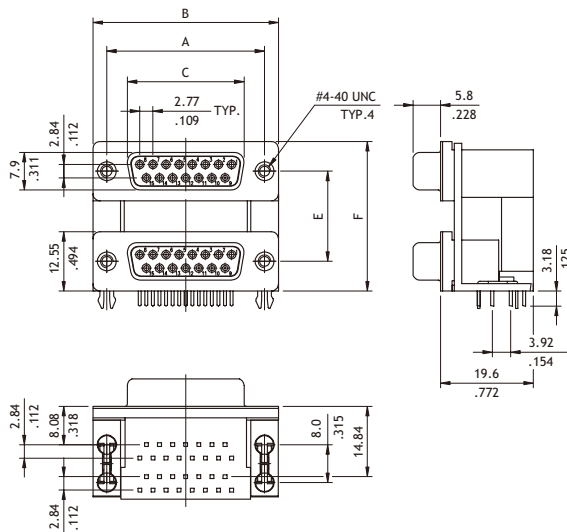
D-SUB CONNECTORS

CD81 Series Stacked Right Angle DIP Solder D-Sub

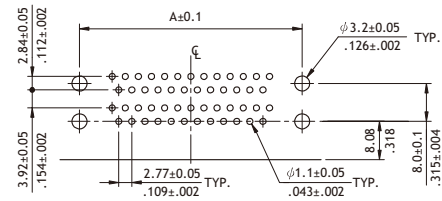
- ⊙ Mate with standard D-Sub
- ⊙ With metal shell and solder tails
- ⊙ Optional row spacing and position
- ⊙ In various pin configuration



RoHS Compliant



CVILUX P/N	Dimension					
	A	B	C	D	E	F
CD81V15S*A*	24.99(.984)	30.81(1.213)	16.33(.643)	16.92(.666)	15.88(.625)	28.43(1.119)
CD81V25S*A*	33.32(1.312)	39.19(1.543)	24.66(.971)	25.25(.994)		
CD81V35S*A*	47.04(1.852)	53.04(2.088)	38.38(1.511)	38.96(1.534)	19.05(.750)	31.60(1.244)
CD81V75S*A*	63.50(2.500)	69.32(2.729)	54.84(2.159)	55.42(2.182)		
CD81V15S*B*	24.99(.984)	30.81(1.213)	16.33(.643)	16.92(.666)		
CD81V25S*B*	33.32(1.312)	39.19(1.543)	24.66(.971)	25.25(.994)	22.86(.900)	35.41(1.394)
CD81V35S*B*	47.04(1.852)	53.04(2.088)	38.38(1.511)	38.96(1.534)		
CD81V75S*B*	63.50(2.500)	69.32(2.729)	54.84(2.159)	55.42(2.182)		
CD81V15S*C*	24.99(.984)	30.81(1.213)	16.33(.643)	16.92(.666)	22.86(.900)	35.41(1.394)
CD81V25S*C*	33.32(1.312)	39.19(1.543)	24.66(.971)	25.25(.994)		
CD81V35S*C*	47.04(1.852)	53.04(2.088)	38.38(1.511)	38.96(1.534)		
CD81V75S*C*	63.50(2.500)	69.32(2.729)	54.84(2.159)	55.42(2.182)		



Recommended PCB Layout

Ordering Code

① CD ② 81 ③ V1 ④ SS ⑤ A ⑥ A C

- ① Series No.
- ② Contacts configuration:
V1 = 9 to 9, V2 = 15 to 15
V3 = 25 to 25, V4 = 9 to 25
V5 = 25 to 9, V6 = 25 to 15
V7 = 37 to 37
- ③ Connector Type: SS = Receptacle to receptacle
SP = Receptacle to plug
- ④ Plating Options: A = Selective Gold flash over Nickel
*Optional plating available but MOQ requested
- ⑤ Row Spacing: A: DIM.E = 15.88mm, B: DIM.E = 19.05mm
C: DIM.E = 22.86mm
- ⑥ Other Options:
C = Riveted ground hooks with #4-40 UNC open (Standard)
S = Riveted ground hooks pre-loaded #4-40 UNC Hex screws
*Special options consult manufacturer

CD

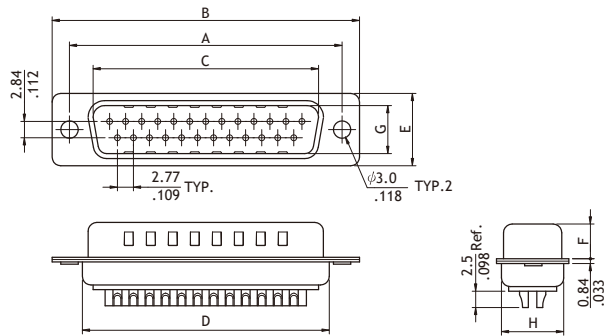
D-SUB CONNECTORS

CD71 Series Machined Contact Solder Cup D-Sub

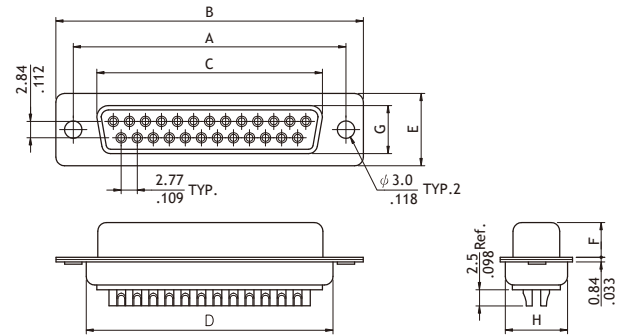
- ⊙ Mate with standard D-Sub
- ⊙ With metal shell and solder tails
- ⊙ Riveted Hex nuts or hardware accessories options available

RoHS Compliant  

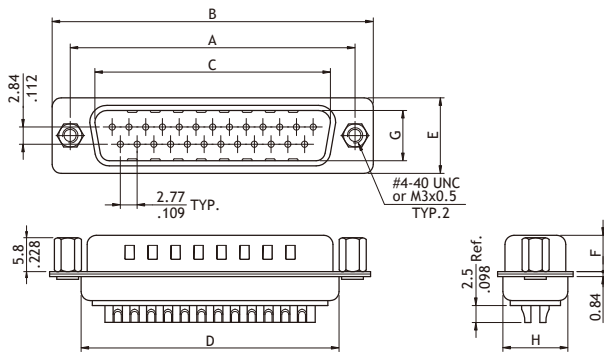
Plug Connector(00 Type)



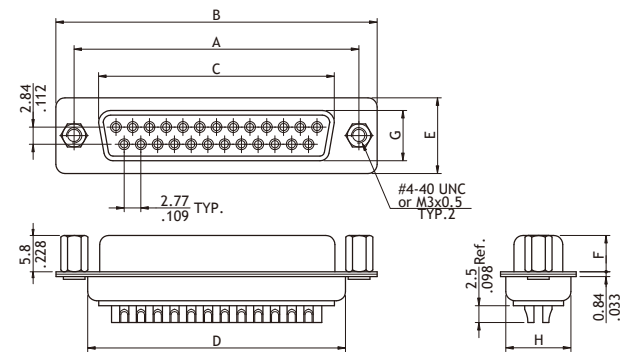
Receptacle Connector(00 Type)



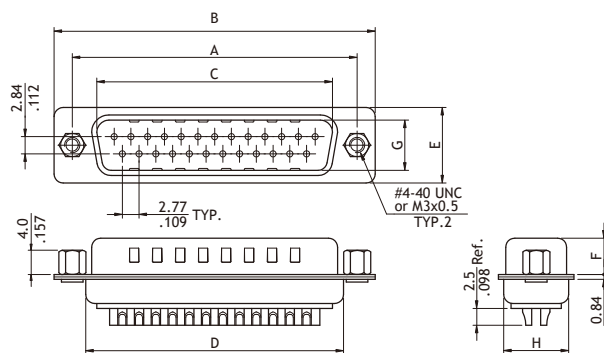
Plug Connector(A0/A1 Type)



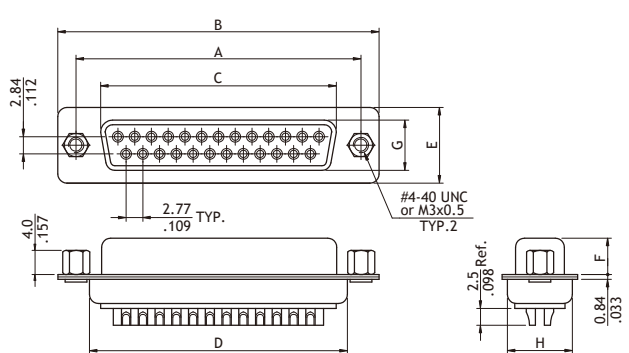
Receptacle Connector(A0/A1 Type)



Plug Connector(B0/B1Type)



Receptacle Connector(B0/B1Type)

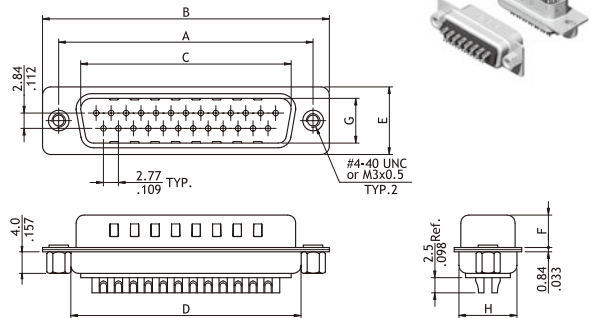


CD

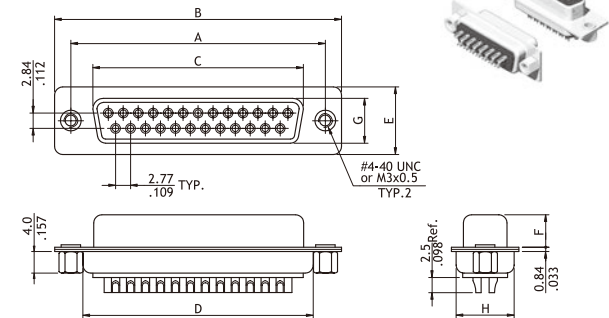
D-SUB CONNECTORS

CD71 Series Machined Contact Solder Cup D-Sub

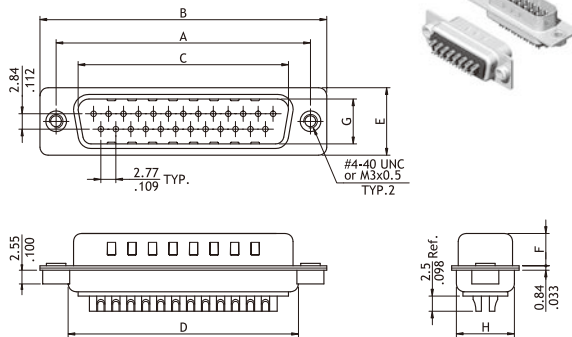
Plug Connector (C0/C1 Type)



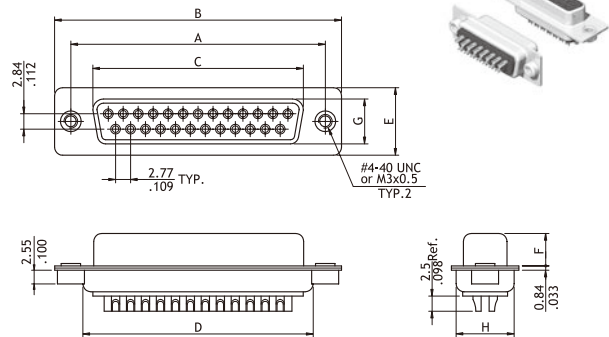
Receptacle Connector (C0/C1 Type)



Plug Connector (K0/K1 Type)



Receptacle Connector (K0/K1 Type)



Circuits	Connector Type	Dimension							
		A	B	C	D	E	F	G	H
9	Plug	25.0(.984)	30.8(1.213)	16.92(.666)	19.2(.756)	12.5(.492)	6.0(.236)	8.3(.327)	10.75(.423)
	Receptacle	25.0(.984)	30.8(1.213)	16.30(.642)	19.2(.756)	12.5(.492)	5.8(.228)	7.9(.311)	10.75(.423)
15	Plug	33.32(1.312)	39.2(1.543)	25.25(.994)	27.6(1.087)	12.5(.492)	6.0(.236)	8.3(.327)	10.75(.423)
	Receptacle	33.32(1.312)	39.2(1.543)	24.6(.969)	27.6(1.087)	12.5(.492)	5.8(.228)	7.9(.311)	10.75(.423)
25	Plug	47.04(1.852)	53.1(2.091)	38.96(1.534)	41.1(1.618)	12.5(.492)	6.0(.236)	8.3(.327)	10.75(.423)
	Receptacle	47.04(1.852)	53.1(2.091)	38.3(1.508)	41.1(1.618)	12.5(.492)	5.8(.228)	7.9(.311)	10.75(.423)
37	Plug	63.5(2.500)	69.4(2.732)	55.42(2.182)	57.3(2.256)	12.5(.492)	6.0(.236)	8.3(.327)	10.75(.423)
	Receptacle	63.5(2.500)	69.4(2.732)	54.80(2.157)	57.3(2.256)	12.5(.492)	5.8(.228)	7.9(.311)	10.75(.423)
50	Plug	61.0(2.242)	69.4(2.732)	52.81(2.079)	55.0(2.169)	15.3(.602)	6.0(.236)	11.1(.473)	13.35(.526)
	Receptacle	61.0(2.242)	69.4(2.732)	52.2(2.055)	55.0(2.169)	15.3(.602)	5.8(.228)	10.9(.429)	13.35(.526)

Ordering Code

① ② ③ ④ ⑤ ⑥
CD71 25 P 2 1 00

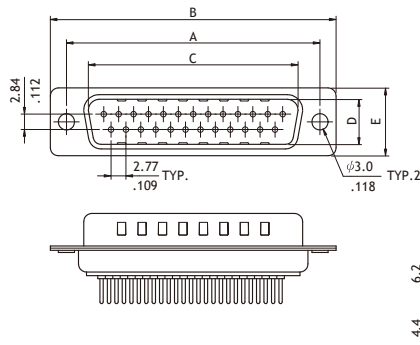
- ① Series No.
- ② No. of Circuits: 09, 15, 25, 37, 50
- ③ Connector Type: P = Plug (Male)
S = Receptacle (Female)
- ④ Plating Option: 2 = Gold flash over Nickel
*Optional plating available but MOQ requested
- ⑤ Insulator Color: 1 = Black
*Optional insulator color consult manufacturer
- ⑥ Other Options:
00 = With ϕ 3.0mm holes on shell (Standard)
A0 = Riveted #4-40 UNC Close nuts on Front shell
A1 = Riveted M3 \emptyset .5 Close nuts on Front shell
B0 = Riveted #4-40 UNC Open nuts on Front shell
B1 = Riveted M3 \emptyset .5 Open nuts on Front shell
C0 = Riveted #4-40 UNC Open nuts on Rear shell
C1 = Riveted M3 \emptyset .5 Open nuts on Rear shell
K0 = Riveted #4-40 UNC Open nuts on Rear shell
K1 = Riveted M3 \emptyset .5 Open nuts on Rear shell
*Special options consult manufacturer

CD72 Series Machined Contact Straight DIP Solder D-Sub

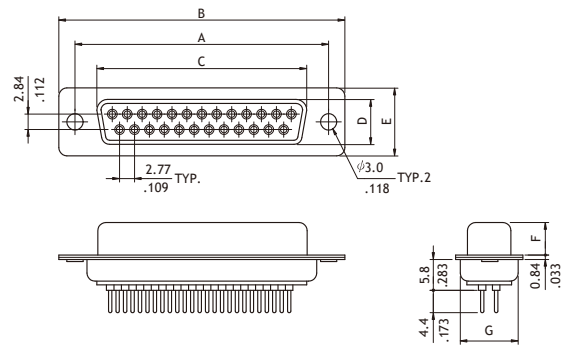
- ⊙ Mate with standard D-Sub
- ⊙ With metal shell and solder tails
- ⊙ Riveted Hex nuts or hardware accessories options available

RoHS Compliant

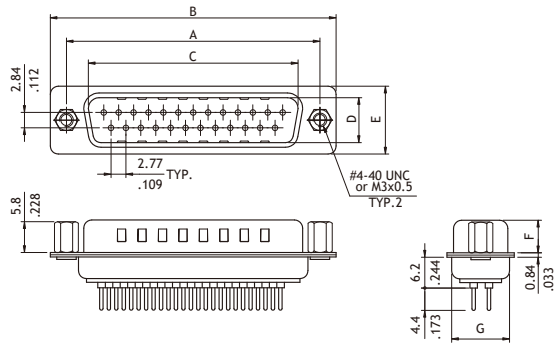
Plug Connector (00 Type)



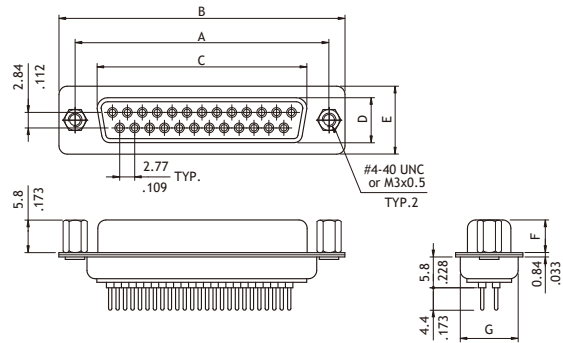
Receptacle Connector (00 Type)



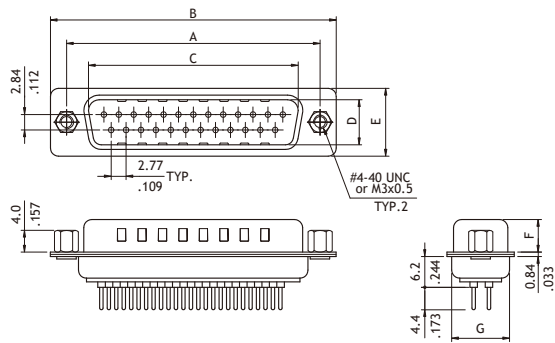
Plug Connector (A0/A1Type)



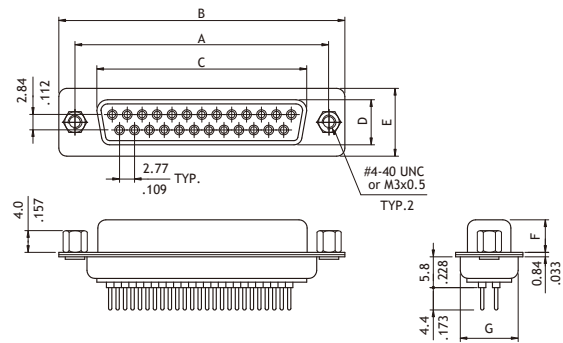
Receptacle Connector (A0/A1Type)



Plug Connector (B0/B1Type)



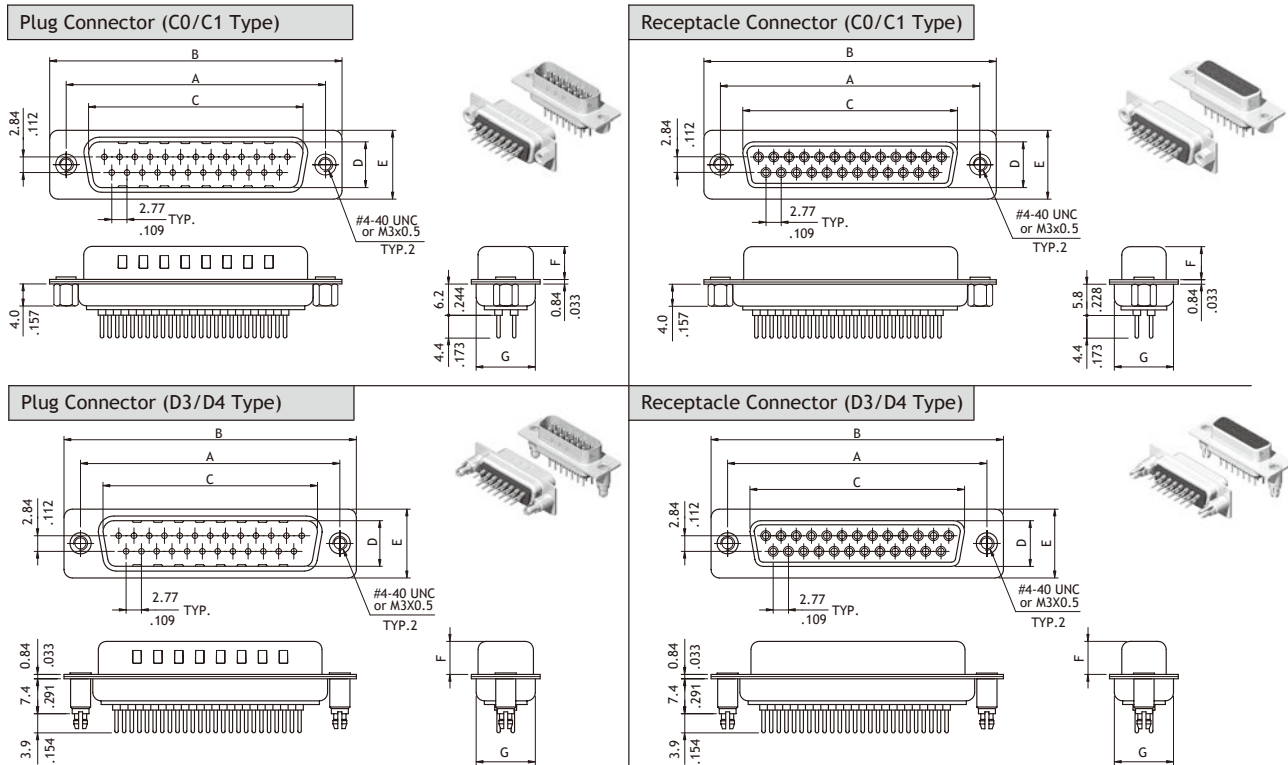
Receptacle Connector (B0/B1Type)



CD

D-SUB CONNECTORS

CD72 Series Machined Contact Straight DIP Solder D-Sub



Circuits	Connector Type	Dimension						
		A	B	C	D	E	F	G
9	Plug	25.0(.984)	30.8(1.213)	16.92(.666)	8.3(.327)	12.5(.492)	6.0(.236)	10.75(.423)
	Receptacle	25.0(.984)	30.8(1.213)	16.3(.642)	7.9(.311)	12.5(.492)	5.8(.228)	10.75(.423)
15	Plug	33.32(1.312)	39.2(1.543)	25.25(.994)	8.3(.327)	12.5(.492)	6.0(.236)	10.75(.423)
	Receptacle	33.32(1.312)	39.2(1.543)	24.6(.969)	7.9(.311)	12.5(.492)	5.8(.228)	10.75(.423)
25	Plug	47.04(1.852)	53.1(2.091)	38.96(1.534)	8.3(.327)	12.5(.492)	6.0(.236)	10.75(.423)
	Receptacle	47.04(1.852)	53.1(2.091)	38.3(1.508)	7.9(.311)	12.5(.492)	5.8(.228)	10.75(.423)
37	Plug	63.5(2.500)	69.4(2.732)	55.42(2.182)	8.3(.327)	12.5(.492)	6.0(.236)	10.75(.423)
	Receptacle	63.5(2.500)	69.4(2.732)	54.8(2.157)	7.9(.311)	12.5(.492)	5.8(.228)	10.75(.423)
50	Plug	61.0(2.402)	67.0(2.638)	52.8(2.079)	11.1(.473)	15.3(.602)	6.0(.236)	13.35(.526)
	Receptacle	61.0(2.402)	67.0(2.638)	52.2(2.055)	10.9(.429)	15.3(.602)	5.8(.228)	13.55(.526)

CD

Ordering Code

① ② ③ ④ ⑤ ⑥
CD72 25 P 2 1 00

- ① Series No.
- ② No. of Circuits: 09, 15, 25, 37, 50
- ③ Connector Type: P = Plug (Male)
S = Receptacle (Female)
- ④ Plating Option: 2 = Gold flash over Nickel
*Optional plating available but MOQ requested
- ⑤ Insulator Color: 1 = Black
*Optional insulator color consult manufacturer
- ⑥ Other Options:
 00 = With ϕ 3.0mm holes on shell (Standard)
 A0 = Riveted #4-40 UNC Close nuts on Front shell
 A1 = Riveted M3 ϕ .5 Close nuts on Front shell
 B0 = Riveted #4-40 UNC Open nuts on Front shell
 B1 = Riveted M3 ϕ .5 Open nuts on Front shell
 C0 = Riveted #4-40 UNC Open nuts on Rear shell
 C1 = Riveted M3 ϕ .5 Open nuts on Rear shell
 D3 = Riveted #4-40 UNC Close ground stand-off on Rear shell
 D4 = Riveted M3 ϕ .5 Close ground stand-off on Rear shell
 *Special options consult manufacturer

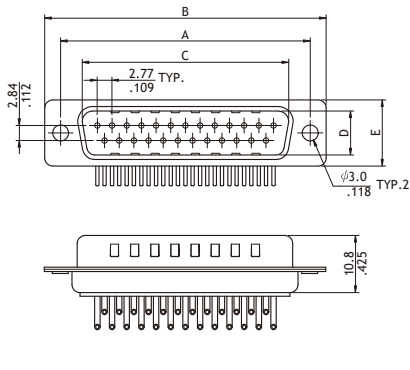
D-SUB CONNECTORS

CD73 Series 8.10mm Footprint Right Angle DIP Solder D-Sub

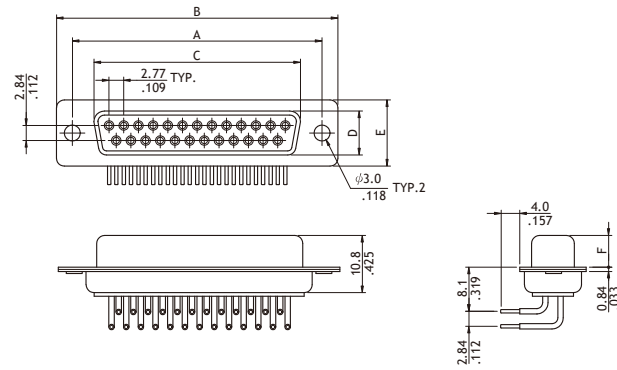
- ⊙ Machined contact with right angle solder tails
- ⊙ Mate with standard D-Sub
- ⊙ Metal shell and solder tails
- ⊙ Riveted Hex nuts or hardware accessories options available

RoHS Compliant 

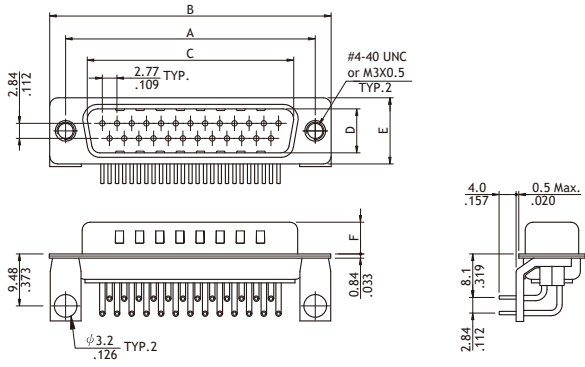
Plug Connector(00 Type)



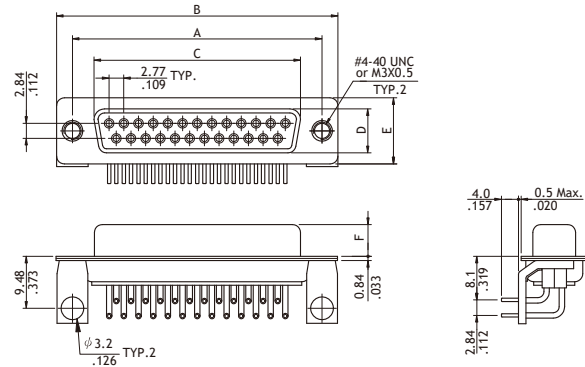
Receptacle Connector(00 Type)



Plug Connector(I0/I2Type)



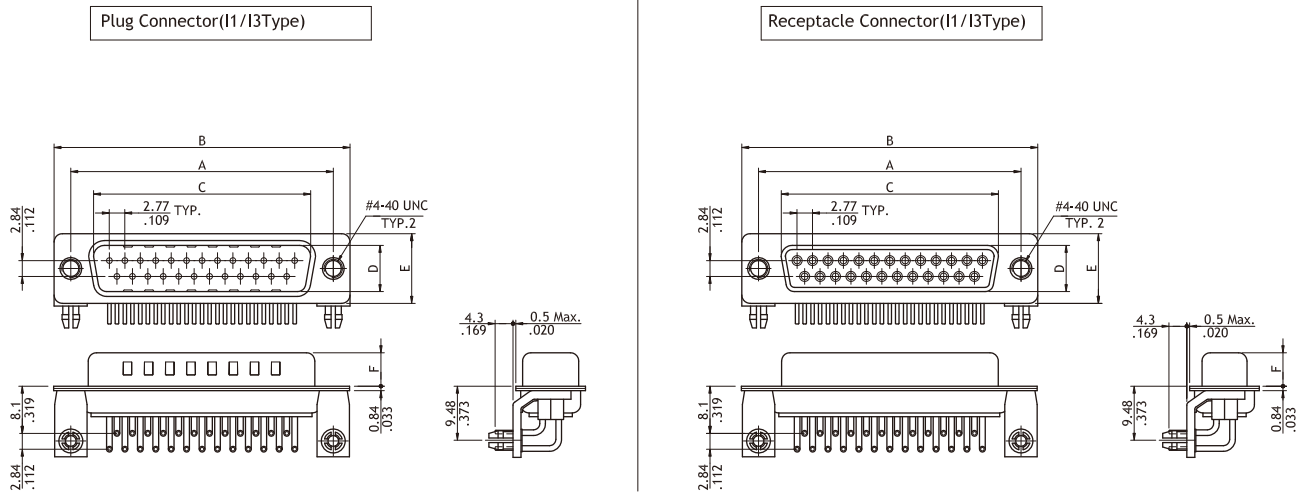
Receptacle Connector(I0/I2Type)



CD

D-SUB CONNECTORS

CD73 Series 8.10mm Footprint Right Angle DIP Solder D-Sub



Circuits	Connector Type	Dimension					
		A	B	C	D	E	F
9	Plug	25.0(.984)	30.8(1.213)	16.92(.666)	8.3(.327)	12.5(.492)	6.0(.236)
	Receptacle	25.0(.984)	30.8(1.213)	16.3(.642)	7.9(.311)	12.5(.492)	5.8(.228)
15	Plug	33.32(1.312)	39.2(1.543)	25.25(.994)	8.3(.327)	12.5(.492)	6.0(.236)
	Receptacle	33.32(1.312)	39.2(1.543)	24.6(.969)	7.9(.311)	12.5(.492)	5.8(.228)
25	Plug	47.04(1.852)	53.1(2.091)	38.96(1.534)	8.3(.327)	12.5(.492)	6.0(.236)
	Receptacle	47.04(1.852)	53.1(2.091)	38.3(1.508)	7.9(.311)	12.5(.492)	5.8(.228)
37	Plug	63.5(2.500)	69.4(2.732)	55.42(2.182)	8.3(.327)	12.5(.492)	6.0(.236)
	Receptacle	63.5(2.500)	69.4(2.732)	54.8(2.157)	7.9(.311)	12.5(.492)	5.8(.228)

CD

Ordering Code

① ② ③ ④ ⑤ ⑥
CD73 25 P 2 1 00

① Series No.

② No. of Circuits: 09, 15, 25, 37

③ Connector Type: P = Plug
 S = Receptacle

④ Plating Option: 2 = Gold flash over Nickel
 *Optional plating available but MOQ requested

⑤ Insulator Color: 1 = Black

⑥ Other Options:

00 =With ϕ 3.0mm holes on shell (Standard)

I 0 =Riveted ground tabs #4-40 UNC Open and ground tabs with ϕ 3.2mm holes

I2 =Riveted ground tabs thread M3 \emptyset .5 Open and ground tabs with ϕ 3.2mm holes

I1 =Riveted ground tabs #4-40 UNC Open and ground tabs with board lock

I3 =Riveted ground tabs thread M3 \emptyset .5 Open and ground tabs with board lock

*Special options consult manufacturer

D-SUB CONNECTORS

Combo D-Sub Technical Specifications

- ◎ The connectors conform to MIL-24308(DIN 41652) and the shell dimensions are the same as standard D-sub connectors so that mating is no problem
- ◎ Test methods for electronic connector are according to MILITARY standard MIL-STD-1344A and MILSTD-202F

Construction

Connector Assemblies -

- Shell : Steel, Tin Plated as Standard
- Insulator : Glass filled polyester UL 94V-0
Color Black or Green
- Signal Contact when applicable :
Copper alloy : Please see ordering code for plating options
- Standoff : Copper alloy, Tin over Copper
- Bracket : Steel, Nickel plated
- Rivnut : Copper alloy, Nickel plated
- Locking Clipper : Copper alloy, Tin over Copper

Coaxial Contact Assembly -

- Insulator : Teflon UL 94V-0, Color White
- Center and outside contact : Copper alloy
Please see ordering code for plating options
- Lock link : Copper alloy, Tin plated over Nickel

High Power Contact Assembly -

- Contact : Copper alloy
Please see ordering code for plating options
- Lock link : Copper alloy, Tin plated over Nickel

Performance Data

- Signal contact current rating : 3 Amps
- Signal contact resistance : < 10 mΩ
- Dielectric withstanding Voltage: 1000VAC for one minute at sea level
- Insulation Resistance : > 5000 MΩ
- Coaxial Contact impedance : 75Ω or 50Ω
- High power contact current rating : 40 or 20 Amps
- High power contact Resistance : < 2.7 m
- Connector mating and unmating force:17.0 kgf max.
- Durability:100 Cycles
- Operating Temperature: -55°~+125°C

Contact Arrangements

- ⊙ Accommodated removable Coaxial and high power contacts
- ⊙ The product indicated “◆” Not available at present

	◆	◆				
Contact Arrangement	5W1	3W3	7W2	11W1	5W5	9W4
Shell Size	E	A	A	A	B	B
No. of Signal Contacts	4	0	5	10	0	5
No. of Coaxial Contacts	1	3	2	1	5	4
	◆		◆			
Contact Arrangement	13W3	17W2	21W1	8W8		
Shell Size	B	B	B	C		
No. of Signal Contacts	10	15	20	0		
No. of Coaxial Contacts	3	2	1	8		
	◆		◆			
Contact Arrangement	13W6	17W5	21W4			
Shell Size	C	C	C			
No. of Signal Contacts	7	12	17			
No. of Coaxial Contacts	6	5	4			
	◆		◆			
Contact Arrangement	25W3	27W2	24W7			
Shell Size	C	C	D			
No. of Signal Contacts	22	25	17			
No. of Coaxial Contacts	3	2	7			
	◆		◆			
Contact Arrangement	36W4	43W2	47W1			
Shell Size	D	D	D			
No. of Signal Contacts	32	41	46			
No. of Coaxial Contacts	4	2	1			

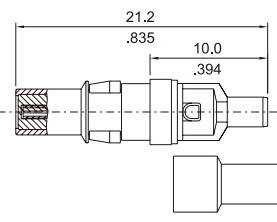
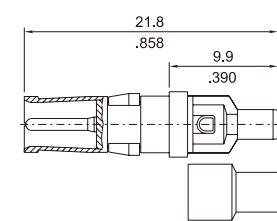
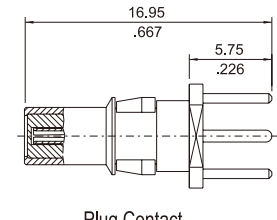
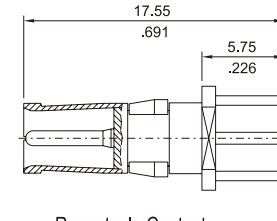
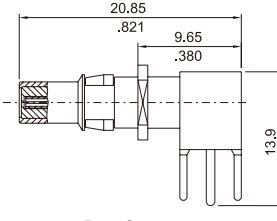
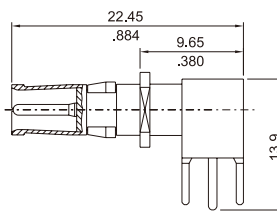
Mounting Style Options

0	Riveted front and rear shell with 3.05mm Hole	A	Riveted #4-40 UNC close nuts on front shell DIM L= 5.8mm (Standard)	B	Riveted #4-40 UNC open nuts on front shell DIM L= 4.0mm (Standard)
C	Riveted #4-40 UNC open nuts on rear shell DIM. L= 4.0mm (Standard)	D	Riveted #4-40 UNC close ground Stand-off on rear shell DIM L=7.0mm (Standard)	I	

CD

D-SUB CONNECTORS

Coaxial Contact for Combination D-Sub

Contact Type	Shape	Part No.	Plating	Impedance	R.G Cable
Solder Cup	 <p>Plug Contact</p>	CXLTPS27500	Gold flash plated over 50µin Nickel	75Ω	179B/U
		CXLTPS37500	15µin Gold plated over 50µin Nickel		
		CXLTPS47500	30µin Gold plated over 50µin Nickel		
		CXLTPS57500	50µin Gold plated over 50µin Nickel		
		CXLTPS25000	Gold flash plated over 50µin Nickel		
		CXLTPS35000	15µin Gold plated over 50µin Nickel		
		CXLTPS45000	30µin Gold plated over 50µin Nickel		
	CXLTPS55000	50µin Gold plated over 50µin Nickel			
	 <p>Receptacle Contact</p>	CXLTSS27500	Gold flash plated over 50µin Nickel	75Ω	179B/U
		CXLTSS37500	15µin Gold plated over 50µin Nickel		
		CXLTSS47500	30µin Gold plated over 50µin Nickel		
		CXLTSS57500	50µin Gold plated over 50µin Nickel		
		CXLTSS25000	Gold flash plated over 50µin Nickel		
		CXLTSS35000	15µin Gold plated over 50µin Nickel		
CXLTSS45000		30µin Gold plated over 50µin Nickel			
CXLTSS55000	50µin Gold plated over 50µin Nickel				
Straight DIP	 <p>Plug Contact</p>	CXLTPV27500	Gold flash plated over 50µin Nickel	75Ω	—
		CXLTPV37500	15µin Gold plated over 50µin Nickel		
		CXLTPV47500	30µin Gold plated over 50µin Nickel		
		CXLTPV57500	50µin Gold plated over 50µin Nickel		
		CXLTPV25000	Gold flash plated over 50µin Nickel		
		CXLTPV35000	15µin Gold plated over 50µin Nickel		
		CXLTPV45000	30µin Gold plated over 50µin Nickel		
	CXLTPV55000	50µin Gold plated over 50µin Nickel			
	 <p>Receptacle Contact</p>	CXLTSV27500	Gold flash plated over 50µin Nickel	75Ω	—
		CXLTSV37500	15µin Gold plated over 50µin Nickel		
		CXLTSV47500	30µin Gold plated over 50µin Nickel		
		CXLTSV57500	50µin Gold plated over 50µin Nickel		
		CXLTSV25000	Gold flash plated over 50µin Nickel		
		CXLTSV35000	15µin Gold plated over 50µin Nickel		
CXLTSV45000		30µin Gold plated over 50µin Nickel			
CXLTSV55000	50µin Gold plated over 50µin Nickel				
Right Angle DIP	 <p>Plug Contact</p>	CXLTPH27500	Gold flash plated over 50µin Nickel	75Ω	—
		CXLTPH37500	15µin Gold plated over 50µin Nickel		
		CXLTPH47500	30µin Gold plated over 50µin Nickel		
		CXLTPH57500	50µin Gold plated over 50µin Nickel		
		CXLTPH25000	Gold flash plated over 50µin Nickel		
		CXLTPH35000	15µin Gold plated over 50µin Nickel		
		CXLTPH45000	30µin Gold plated over 50µin Nickel		
	CXLTPH55000	50µin Gold plated over 50µin Nickel			
	 <p>Receptacle Contact</p>	CXLTSH27500	Gold flash plated over 50µin Nickel	75Ω	—
		CXLTSH37500	15µin Gold plated over 50µin Nickel		
		CXLTSH47500	30µin Gold plated over 50µin Nickel		
		CXLTSH57500	50µin Gold plated over 50µin Nickel		
		CXLTSH25000	Gold flash plated over 50µin Nickel		
		CXLTSH35000	15µin Gold plated over 50µin Nickel		
CXLTSH45000		30µin Gold plated over 50µin Nickel			
CXLTSH55000	50µin Gold plated over 50µin Nickel				

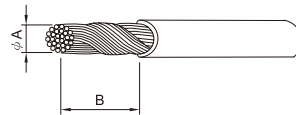
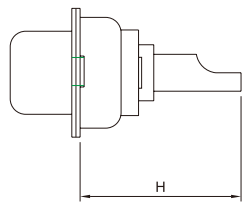
CD

D-SUB CONNECTORS

High Power Contact for Combination D-Sub

Contact Type	Shape	Part No.	Plating	Current Rating	Wire Size		
Solder Cup	<p>Plug Contact</p>	CHPTPS22000	Gold flash plated over 50μin Nickel	20A	AWG #12~#14		
		CHPTPS32000	15μin Gold plated over 50μin Nickel				
		CHPTPS42000	30μin Gold plated over 50μin Nickel				
		CHPTPS52000	50μin Gold plated over 50μin Nickel				
		CHPTPS24000	Gold flash plated over 50μin Nickel				
		CHPTPS34000	15μin Gold plated over 50μin Nickel				
		CHPTPS44000	30μin Gold plated over 50μin Nickel				
	CHPTPS54000	50μin Gold plated over 50μin Nickel	40A	AWG #8~#10			
	<p>Receptacle Contact</p>	CHPTSS22000			Gold flash plated over 50μin Nickel	20A	AWG #12~#14
		CHPTSS32000			15μin Gold plated over 50μin Nickel		
		CHPTSS42000			30μin Gold plated over 50μin Nickel		
		CHPTSS52000			50μin Gold plated over 50μin Nickel		
		CHPTSS24000			Gold flash plated over 50μin Nickel		
		CHPTSS34000			15μin Gold plated over 50μin Nickel		
CHPTSS44000		30μin Gold plated over 50μin Nickel					
CHPTSS54000	50μin Gold plated over 50μin Nickel	40A	AWG #8~#10				
Crimp Type	<p>Plug Contact</p>			CHPTPC22000	Gold flash plated over 50μin Nickel	20A	AWG #12~#14
				CHPTPC32000	15μin Gold plated over 50μin Nickel		
				CHPTPC42000	30μin Gold plated over 50μin Nickel		
				CHPTPC52000	50μin Gold plated over 50μin Nickel		
				CHPTPC24000	Gold flash plated over 50μin Nickel		
				CHPTPC34000	15μin Gold plated over 50μin Nickel		
		CHPTPC44000	30μin Gold plated over 50μin Nickel				
	CHPTPC54000	50μin Gold plated over 50μin Nickel	40A	AWG #8~#10			
	<p>Receptacle Contact</p>	CHPTSC22000			Gold flash plated over 50μin Nickel	20A	AWG #12~#14
		CHPTSC32000			15μin Gold plated over 50μin Nickel		
		CHPTSC42000			30μin Gold plated over 50μin Nickel		
		CHPTSC52000			50μin Gold plated over 50μin Nickel		
		CHPTSC24000			Gold flash plated over 50μin Nickel		
		CHPTSC34000			15μin Gold plated over 50μin Nickel		
CHPTSC44000		30μin Gold plated over 50μin Nickel					
CHPTSC54000 ^②	50μin Gold plated over 50μin Nickel	40A	AWG #8~#10				

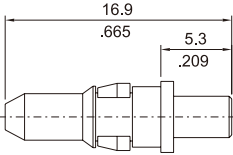
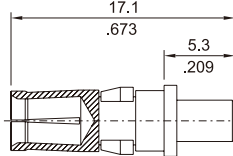
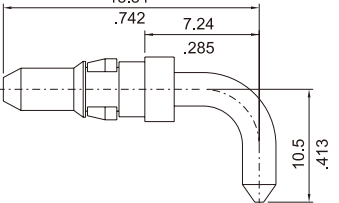
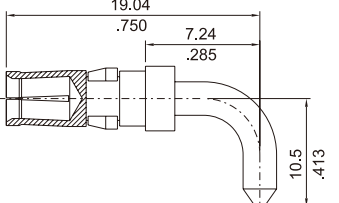
CD



Current Rating	Crimp and Solder Terminations			
	DIM. φA min.	DIM. φA max.	DIM. B	DIM. H max.
20A	1.8(.071)	2.6(.102)	8.0(.315)~	16.5(.650)
40A	2.9(.114)	4.5(.177)	8.8(.346)	

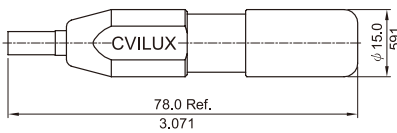
D-SUB CONNECTORS

High Power Contact for Combination D-Sub

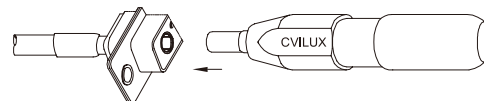
Contact Type	Shape	Part No.	Plating	Current Rating
Straight DIP	 <p>Plug Contact</p>	CHPTPV22000	Gold flash plated over 50µin Nickel	20A
		CHPTPV32000	15µin Gold plated over 50µin Nickel	
		CHPTPV42000	30µin Gold plated over 50µin Nickel	
		CHPTPV52000	50µin Gold plated over 50µin Nickel	
		CHPTPV24000	Gold flash plated over 50µin Nickel	40A
		CHPTPV34000	15µin Gold plated over 50µin Nickel	
		CHPTPV44000	30µin Gold plated over 50µin Nickel	
	CHPTPV54000	50µin Gold plated over 50µin Nickel		
	 <p>Receptacle Contact</p>	CHPTSV22000	Gold flash plated over 50µin Nickel	20A
		CHPTSV32000	15µin Gold plated over 50µin Nickel	
		CHPTSV42000	30µin Gold plated over 50µin Nickel	
		CHPTSV52000	50µin Gold plated over 50µin Nickel	
		CHPTSV24000	Gold flash plated over 50µin Nickel	40A
		CHPTSV34000	15µin Gold plated over 50µin Nickel	
CHPTSV44000		30µin Gold plated over 50µin Nickel		
CHPTSV54000	50µin Gold plated over 50µin Nickel			
Right Angle DIP	 <p>Plug Contact</p>	CHTPH22000	Gold flash plated over 50µin Nickel	20A
		CHTPH32000	15µin Gold plated over 50µin Nickel	
		CHTPH42000	30µin Gold plated over 50µin Nickel	
		CHTPH52000	50µin Gold plated over 50µin Nickel	
		CHTPH24000	Gold flash plated over 50µin Nickel	40A
		CHTPH34000	15µin Gold plated over 50µin Nickel	
		CHTPH44000	30µin Gold plated over 50µin Nickel	
	CHTPH54000	50µin Gold plated over 50µin Nickel		
	 <p>Receptacle Contact</p>	CHPTSH22000	Gold flash plated over 50µin Nickel	20A
		CHPTSH32000	15µin Gold plated over 50µin Nickel	
		CHPTSH42000	30µin Gold plated over 50µin Nickel	
		CHPTSH52000	50µin Gold plated over 50µin Nickel	
		CHPTSH24000	Gold flash plated over 50µin Nickel	40A
		CHPTSH34000	15µin Gold plated over 50µin Nickel	
CHPTSH44000		30µin Gold plated over 50µin Nickel		
CHPTSH54000	50µin Gold plated over 50µin Nickel			

CD

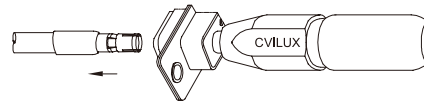
P/N CD-RWT-0100



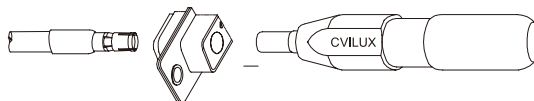
Step 1



Step 2



Step 3

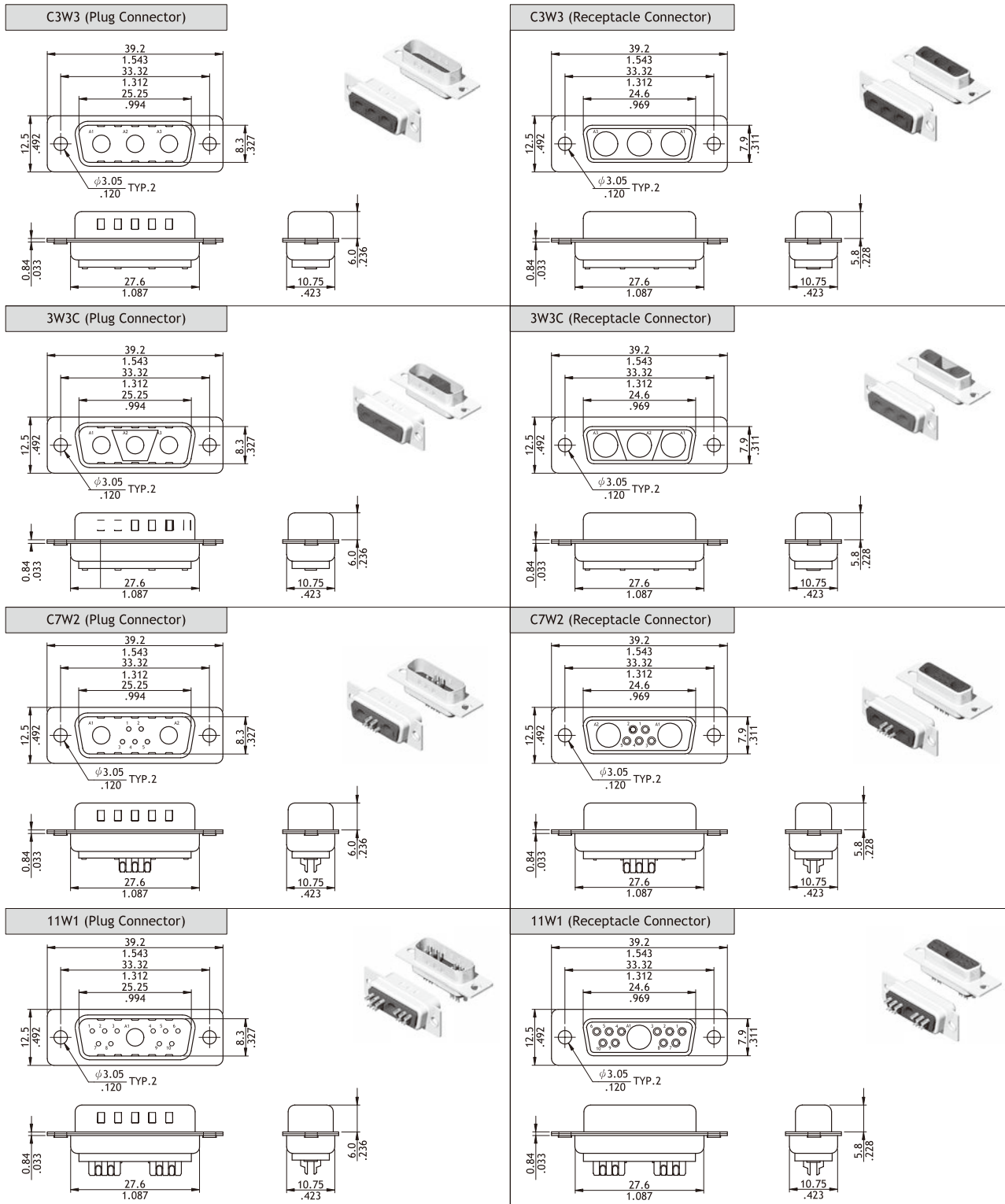


The COMBO D-SUB EXTRACTOR.
It is used in Coaxial or High power contact.
(available for male/female)

Combination D-Sub Housing

- ⊙ Pre-loaded stamped signal contact
- ⊙ Can be mated with coaxial or high power contact
- ⊙ High power contact available for crimp or solder type in 20A or 40A
- ⊙ Metal shell with ground indents
- ⊙ Riveted Hex nuts or hardware accessories options available

RoHS Compliant

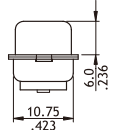
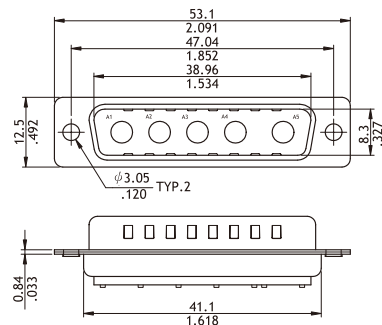


CD

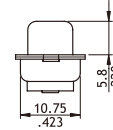
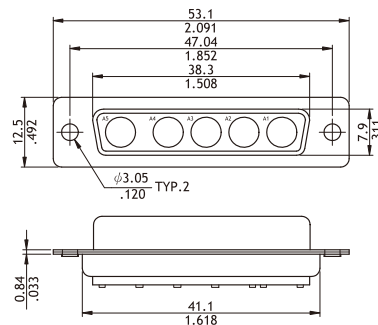
D-SUB CONNECTORS

Combination D-Sub Housing

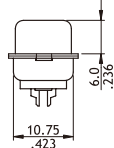
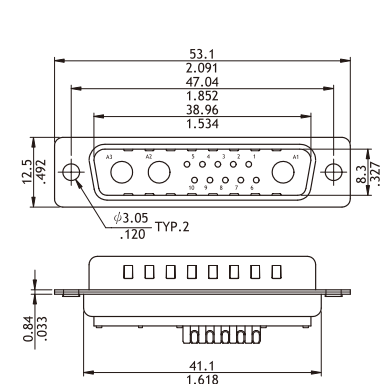
C5W5 (Plug Connector)



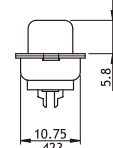
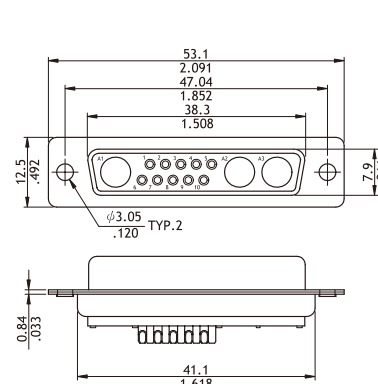
C5W5 (Receptacle Connector)



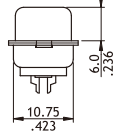
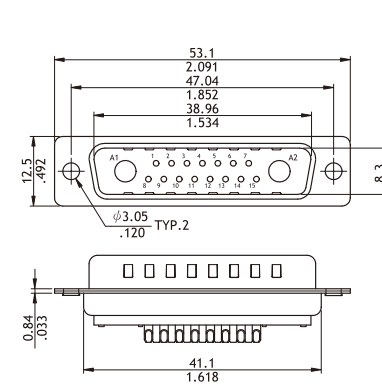
13W3 (Plug Connector)



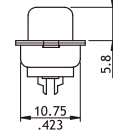
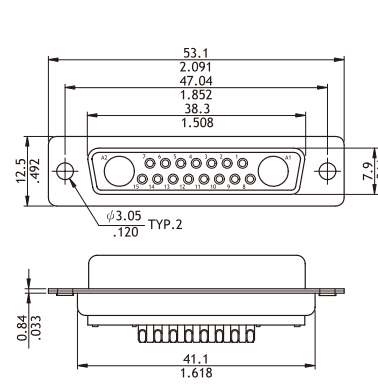
13W3 (Receptacle Connector)



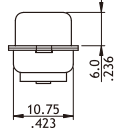
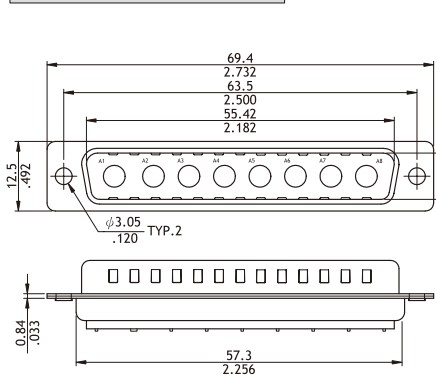
17W2 (Plug Connector)



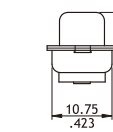
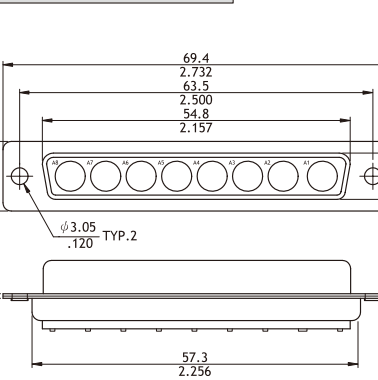
17W2 (Receptacle Connector)



C8W8 (Plug Connector)



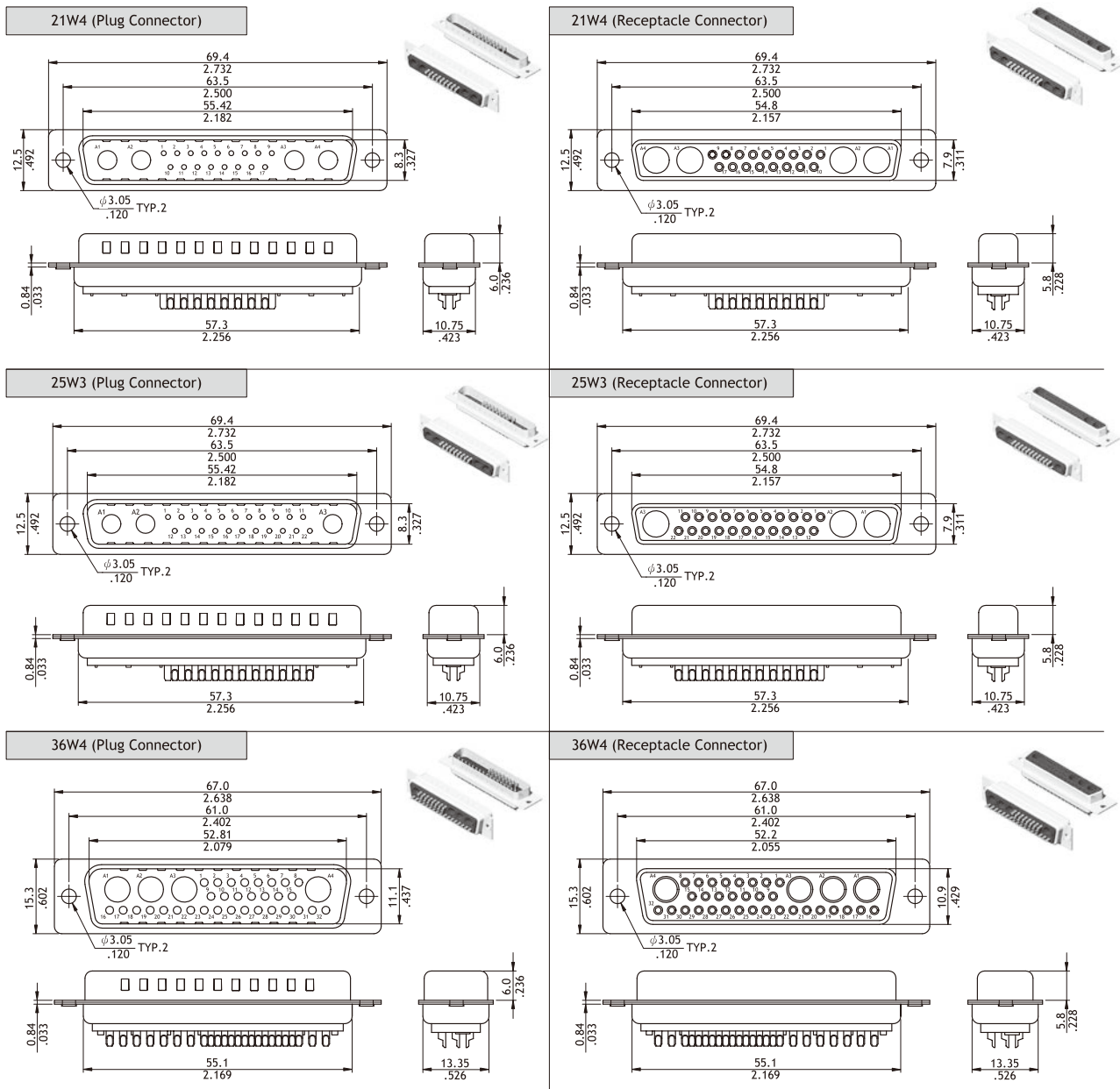
C8W8 (Receptacle Connector)



CD

D-SUB CONNECTORS

Combination D-Sub Housing



Ordering Code

① ② ③ ④ ⑤ ⑥

13W3 **P0** **S0** **A** **100** **000**

- ① Series No.: C3W3, 3W3C, C7W2, 11W1, C5W5, 13W3, 17W3, C8W8, 21W4, 25W3, 36W4
- ② Connector Type: P0 = Plug
S0 = Receptacle
- ③ Contact Tail: S0= Solder Cup Type (C3W3, C5W5, 3W3C, C8W8 Series, Code= 00)
- ④ Signal Contact Plating:
A = Selective Gold flash over Nickel
0 = Without Signal Contact

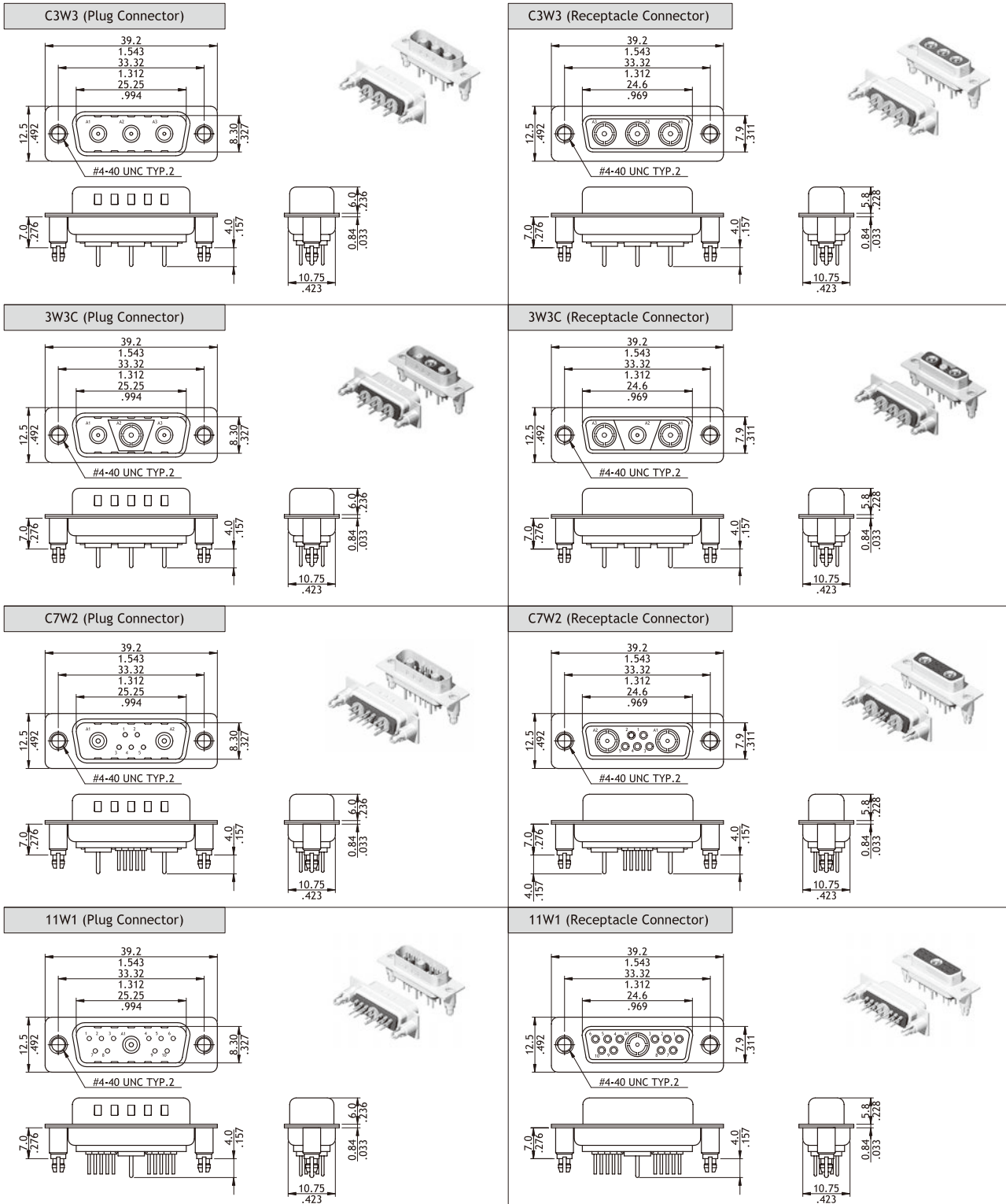
- ⑤ Insulator Color: 100 = Black
- ⑥ Other Options:
000 = With ϕ 3.05mm holes on shell (Standard)
A00= Riveted #4-40 UNC Close nuts on Front shell
B00= Riveted #4-40 UNC Open nuts on Front shell
C00= Riveted #4-40 UNC Open nuts on Rear shell
*Special options consult manufacturer
Connectors and coax al/high power contacts should be ordered respectively to confirm production process

CD

D-SUB CONNECTORS

Coaxial Straight DIP Combination D-Sub

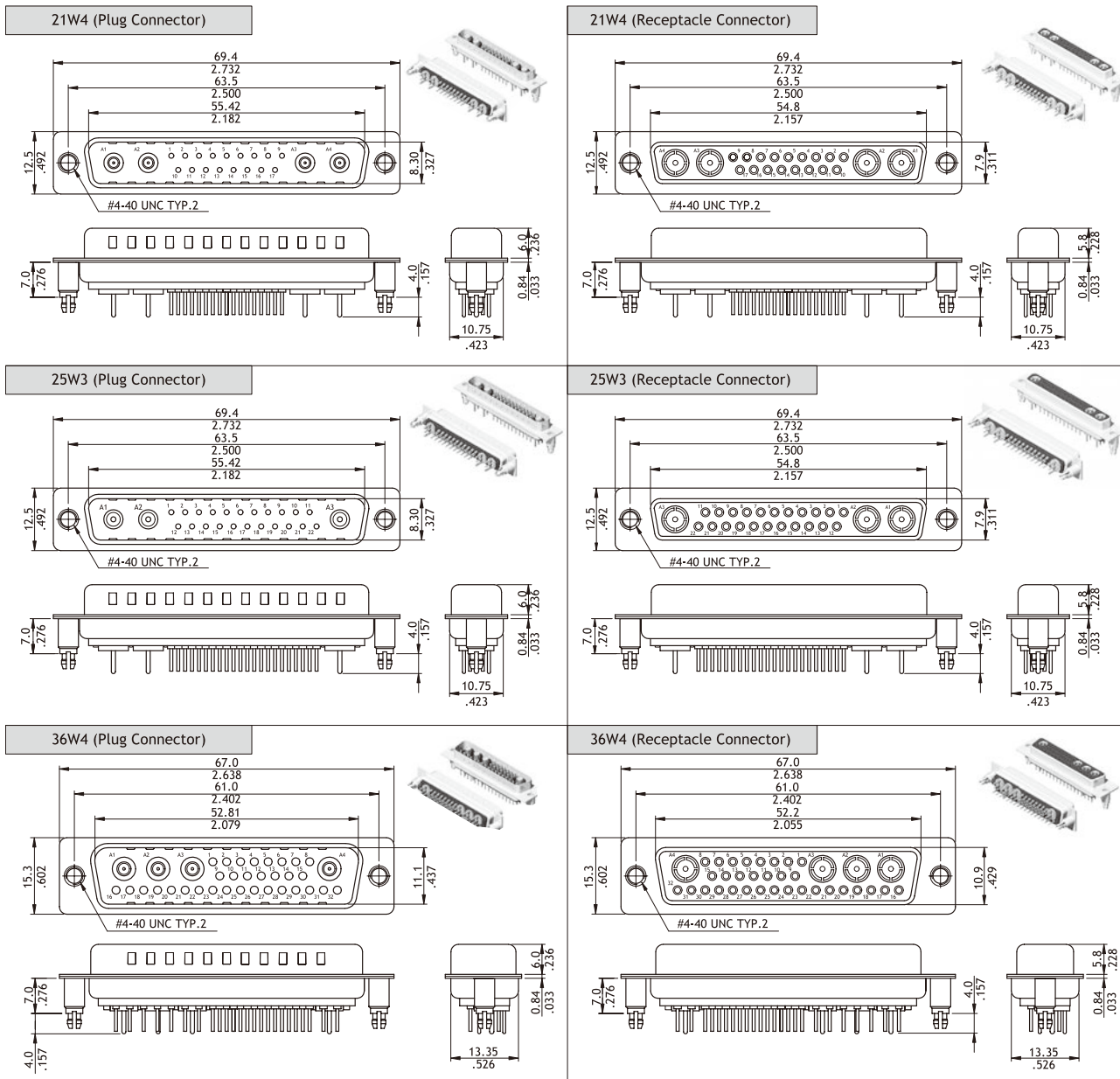
- ⊙ Standard type with #4-40 UNC threaded ground stand-off
- ⊙ Combined with stamped signal and machined coaxial contacts
- ⊙ For top entry connection
- ⊙ Metal shell with ground indents
- ⊙ Riveted Hex nuts or hardware accessories options available



CD

D-SUB CONNECTORS

Coaxial Straight DIP Combination D-Sub



CD

Ordering Code

① 13W3 ② S ③ C ④ V ⑤ 2 ⑥ 2 ⑦ 1 ⑧ 75 ⑨ D00

- ① Series No.: C3W3, 3W3C, C7W2, 11W1, C5W5, 13W3, 17W3, C8W8, 21W4, 25W3, 36W4
- ② Connector Type: P = Plug
S = Receptacle
- ③ Contact Type: C = Coaxial Contact
- ④ Contact Tail Style: V = Straight DIP Type
- ⑤ Coaxial Contact Plating: 2 = Gold flash over Nickel
- ⑥ Signal Contact Plating: 2 = Gold flash over Nickel
0 = Without Signal Contact

- ⑦ Insulator Color: 1 = Black
- ⑧ Performance: 50 = 50Ω, 75 = 75Ω
- ⑨ Mounting Style:
000 = With ϕ 3.05mm holes on shell (Standard)
A00 = Riveted #4-40 UNC Close nuts on Front shell
B00 = Riveted #4-40 UNC Open nuts on Front shell
C00 = Riveted #4-40 UNC Open nuts on Rear shell
D00 = Riveted #4-40 UNC Ground Stand-off
*Special options consult manufacturer

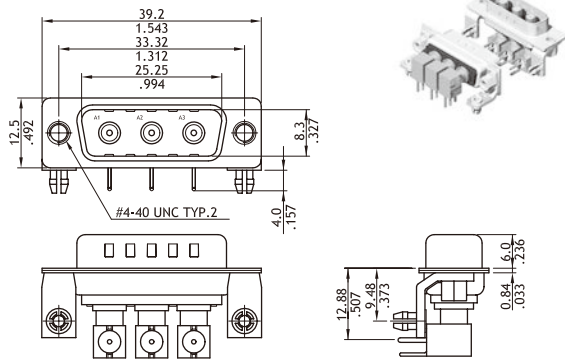
D-SUB CONNECTORS

Coaxial Right Angle DIP Combination D-Sub

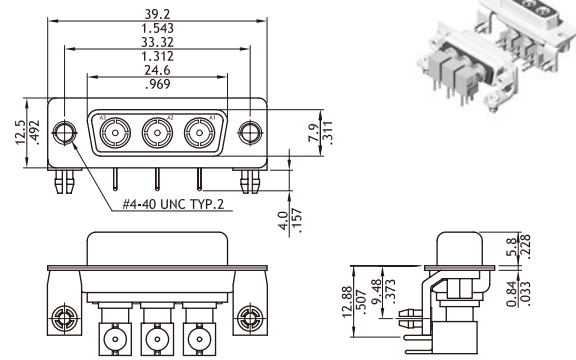
- ⊙ Standard type with #4-40 UNC threaded ground stand tabs and board locks to secure connector on board
- ⊙ Combined with stamped signal and machined coaxial contacts
- ⊙ For side entry connection
- ⊙ Metal shell with ground indents
- ⊙ Riveted Hex nuts or hardware accessories options available

RoHS Compliant

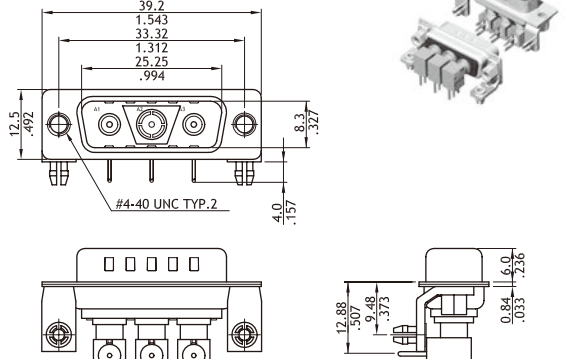
C3W3 (Plug Connector)



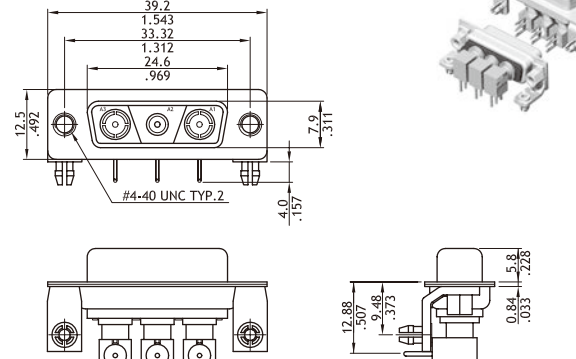
C3W3 (Receptacle Connector)



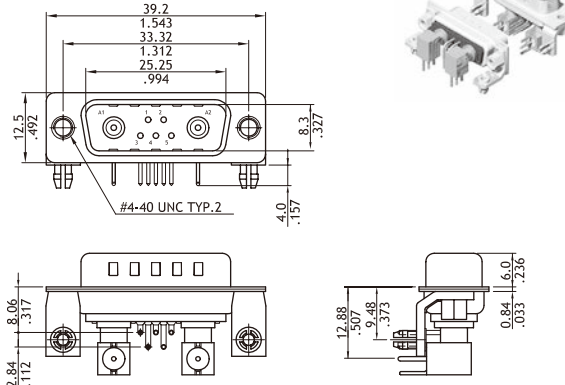
3W3C (Plug Connector)



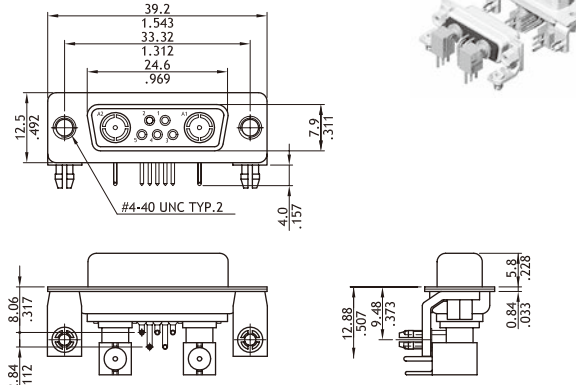
3W3C (Receptacle Connector)



C7W2 (Plug Connector)



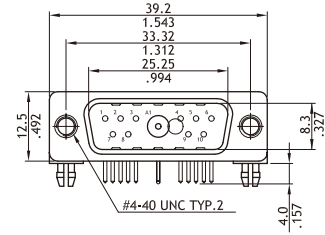
C7W2 (Receptacle Connector)



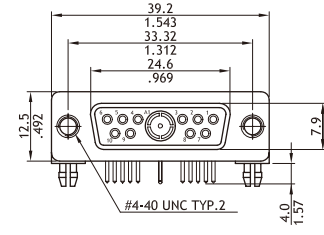
CD

D-SUB CONNECTORS

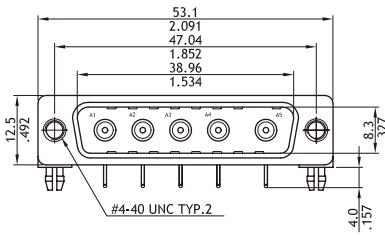
11W1 (Plug Connector)



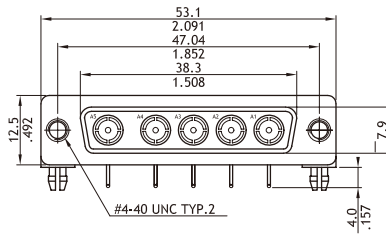
11W1 (Receptacle Connector)



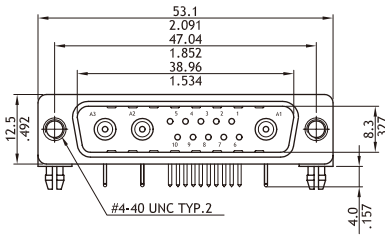
C5W5 (Plug Connector)



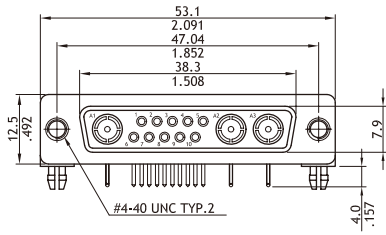
C5W5 (Receptacle Connector)



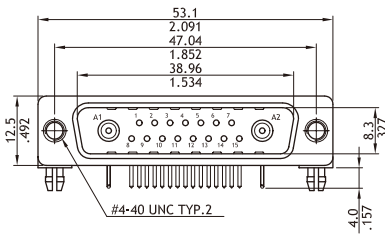
13W3 (Plug Connector)



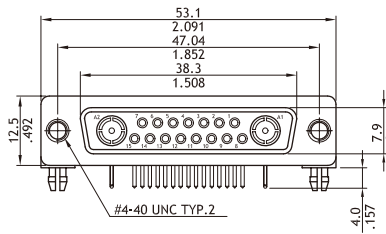
13W3 (Receptacle Connector)



17W2 (Plug Connector)



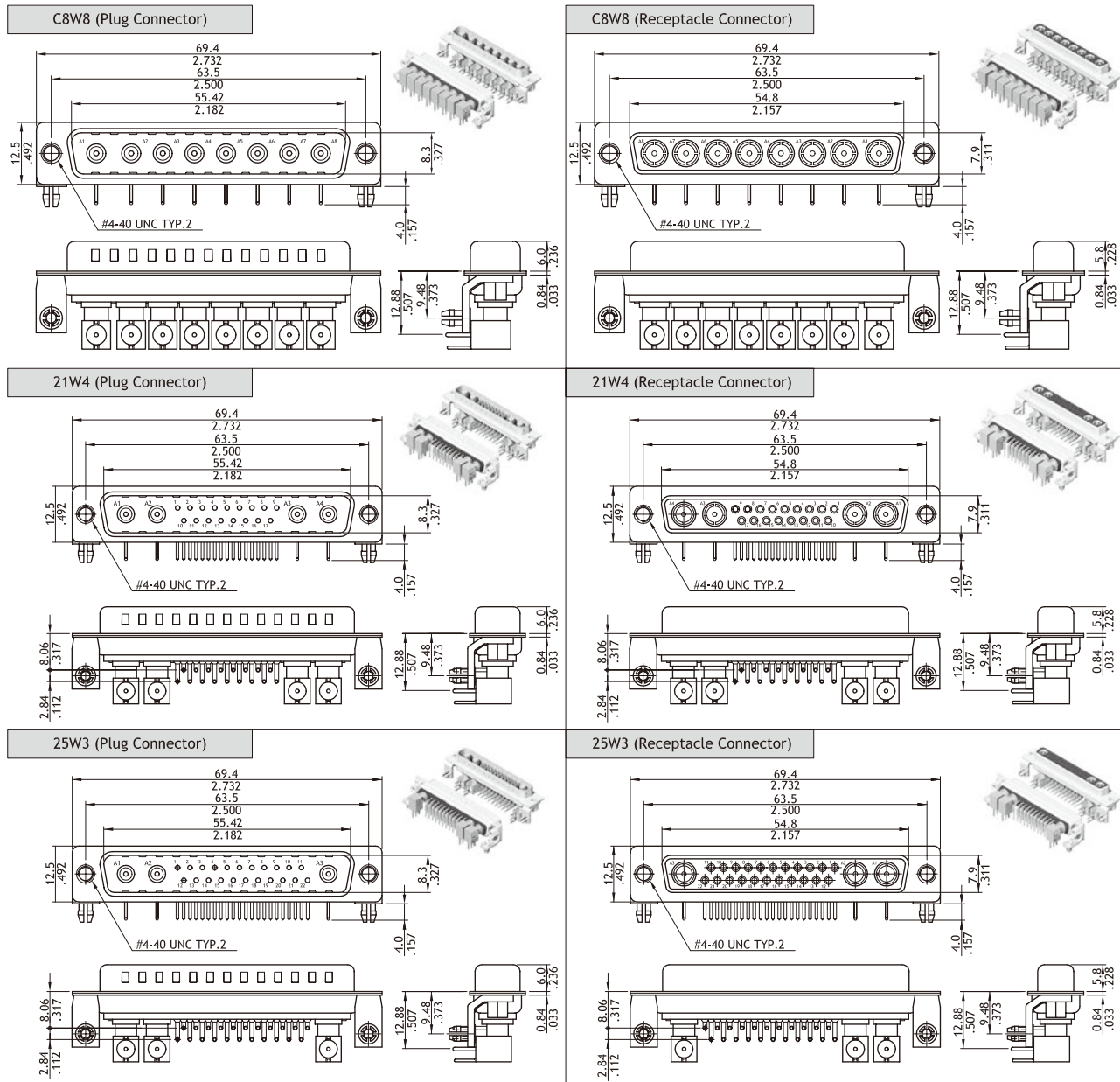
17W2 (Receptacle Connector)



CD

D-SUB CONNECTORS

Coaxial Right Angle DIP Combination D-Sub



Ordering Code

① ② ③ ④ ⑤ ⑥ ⑦ ⑧ ⑨
1 3 W 3 S C H 2 2 1 7 5 I 1 0

- ① Series No.: C3W3, 3W3C, C7W2, 11W1, C5W5, 13W3, 17W3, C8W8, 21W4, 25W3, 36W4
- ② Connector Type: P = Plug
S = Receptacle
- ③ Contact Type: C = Coaxial Contact
- ④ Contact Tail Style: H = Right Angle DIP Type
- ⑤ Coaxial Contact Plating: 2 = Gold flash over Nickel
- ⑥ Signal Contact Plating: 2 = Gold flash over Nickel
0 = Without Signal Contact

- ⑦ Insulator Color: 1 = Black
- ⑧ Performance: 50 = 50Ω, 75 = 75Ω
- ⑨ Mounting Style:
000 = With ϕ 3.05mm holes on shell
B00 = Riveted #4-40 UNC Close nuts on Front shell
C00 = Riveted #4-40 UNC Open nuts on Rear shell
I00 = Riveted #4-40 UNC Ground tabs with ϕ 3.2mm holes
I10 = Riveted #4-40 UNC Ground tabs with board locks (Standard)

*Special options consult manufacturer

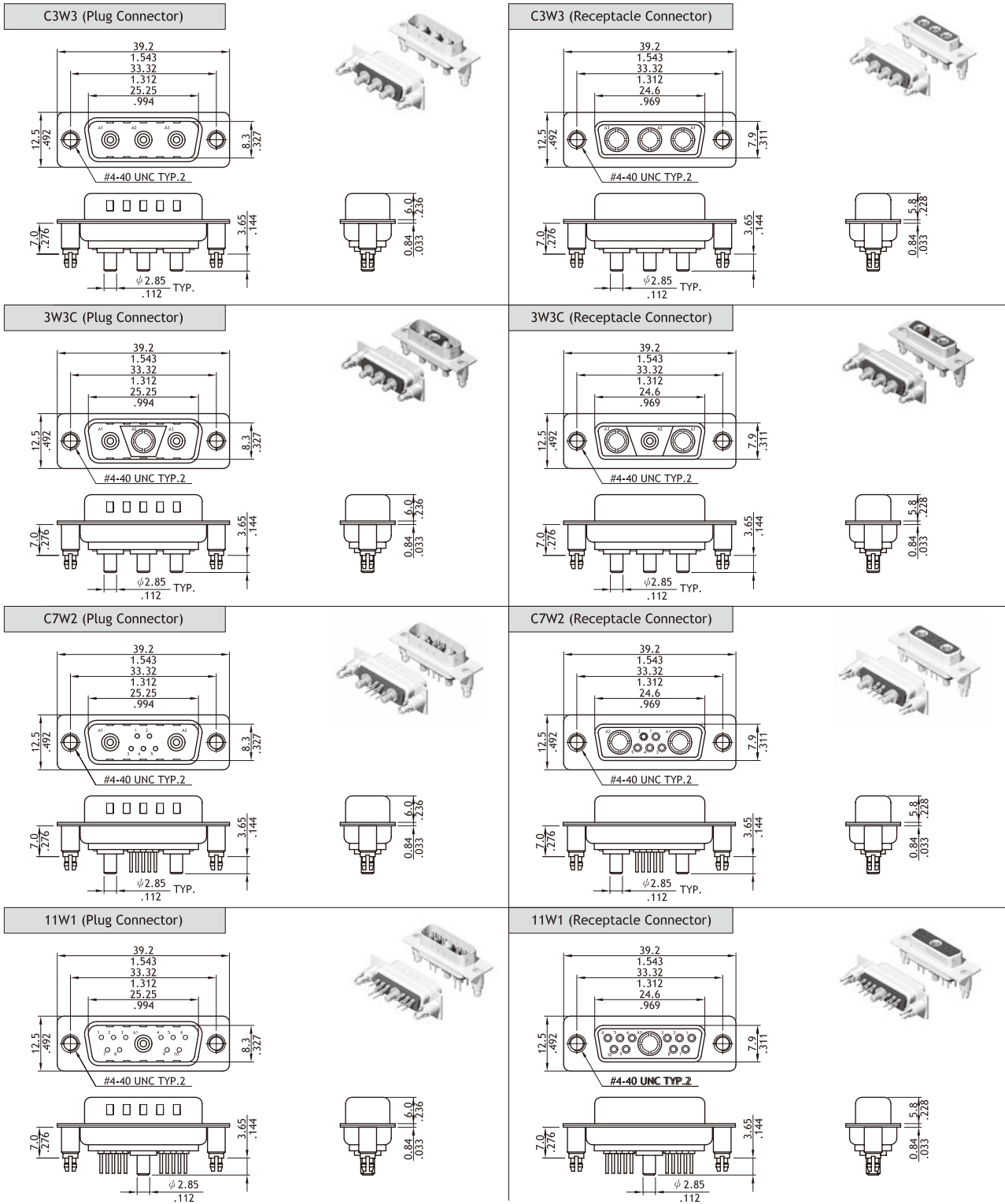
CD

D-SUB CONNECTORS

20A High Power Straight DIP Solder Combination D-Sub

- ⊙ Standard type with #4-40 UNC threaded ground stand-off
- ⊙ Combined with stamped signal and machined 20A high power contacts
- ⊙ For top entry connection
- ⊙ Metal shell with ground indents
- ⊙ Riveted Hex nuts or hardware accessories options available

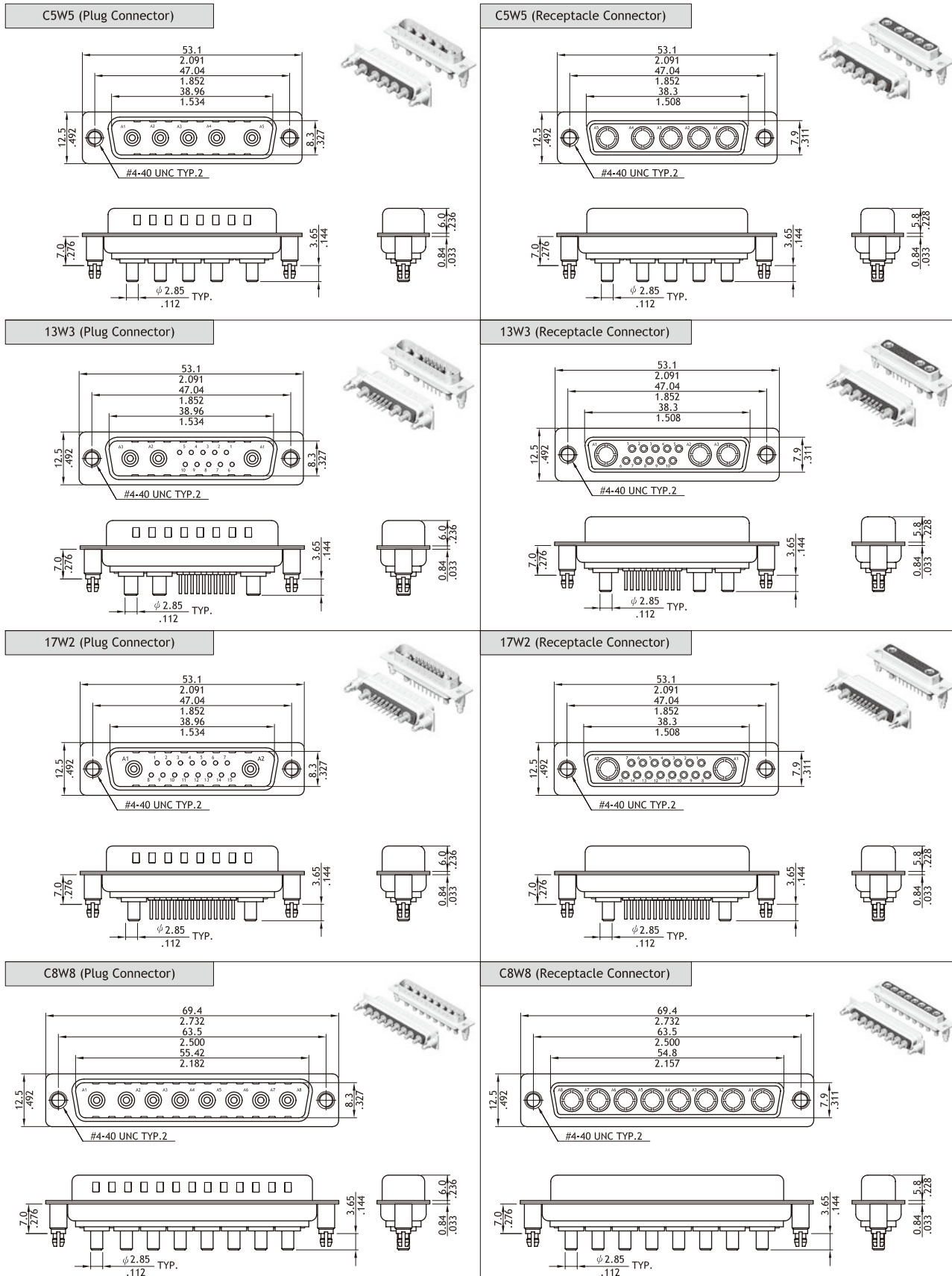
RoHS Compliant 



CD

D-SUB CONNECTORS

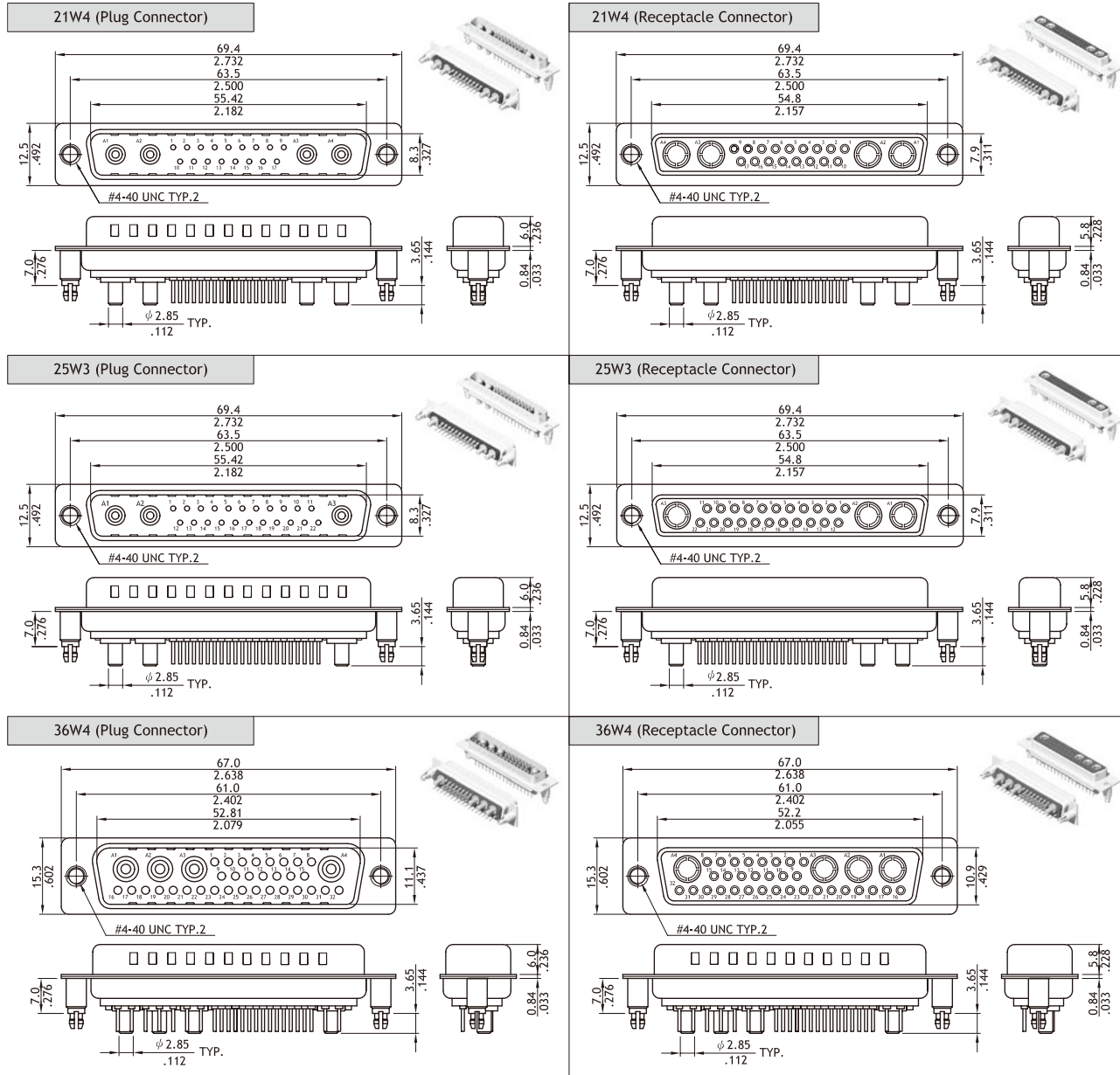
20A High Power Straight DIP Solder Combination D-Sub



CD

D-SUB CONNECTORS

20A High Power Straight DIP Solder Combination D-Sub



CD

D-SUB CONNECTORS

Ordering Code

① 13W3 ② S ③ P ④ V ⑤ 2 ⑥ 2 ⑦ 1 ⑧ 20 ⑨ D00

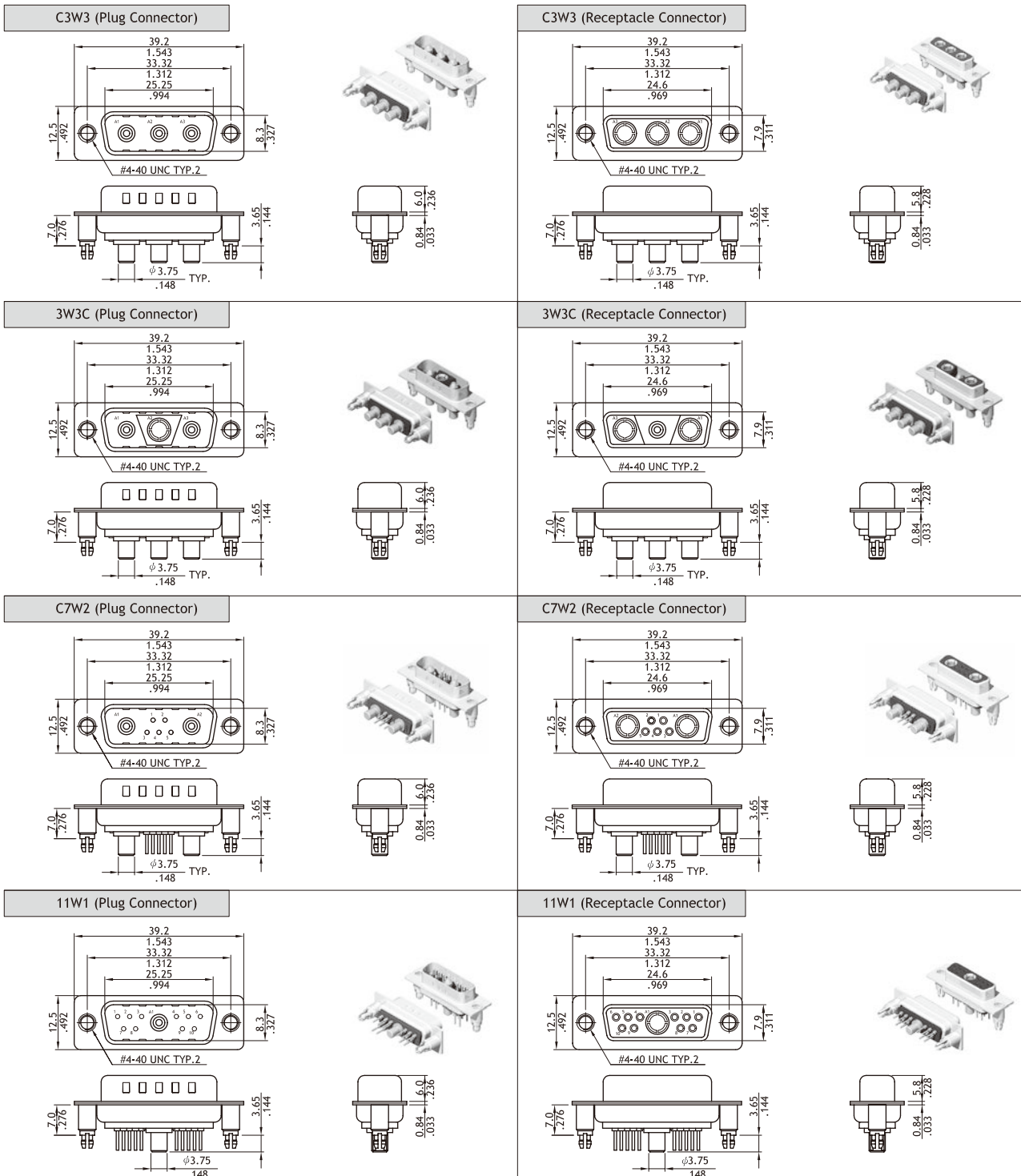
- ① Series No.: C3W3, 3W3C, C7W2, 11W1, C5W5, 13W3, 17W3, C8W8, 21W4, 25W3, 36W4
- ② Connector Type: P = Plug
S = Receptacle
- ③ Contact Type: P = High power Contact
- ④ Contact Tail Style: V = Straight DIP Type
- ⑤ Coaxial Contact Plating: 2 = Gold flash over Nickel
- ⑥ Signal Contact Plating: 2 = Gold flash over Nickel
0 = Without Signal Contact

- ⑦ Insulator Color: 1 = Black
- ⑧ Performance: 20 = 20A
- ⑨ Mounting Style:
000 = With ϕ 3.05mm holes on shell
A00 = Riveted #4-40 UNC Close nuts on Front shell
B00 = Riveted #4-40 UNC Open nuts on Front shell
C00 = Riveted #4-40 UNC Open nuts on Rear shell
D00 = Riveted #4-40 UNC Ground Stand-off (Standard)
*Special options consult manufacturer

40A High Power Straight DIP Solder Combination D-Sub

- ⊙ Standard type with #4-40 UNC threaded ground stand-off
- ⊙ Combined with stamped signal and machined 40A high power contacts
- ⊙ For top entry connection
- ⊙ Metal shell with ground indents
- ⊙ Riveted Hex nuts or hardware accessories options available

RoHS Compliant

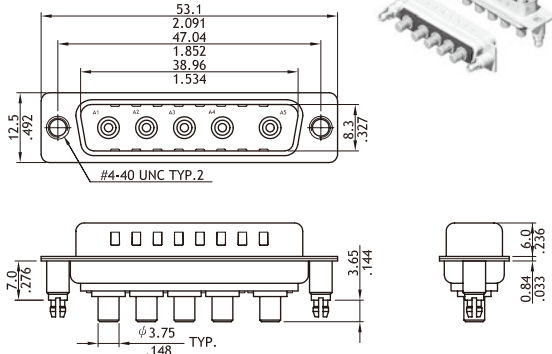


CD

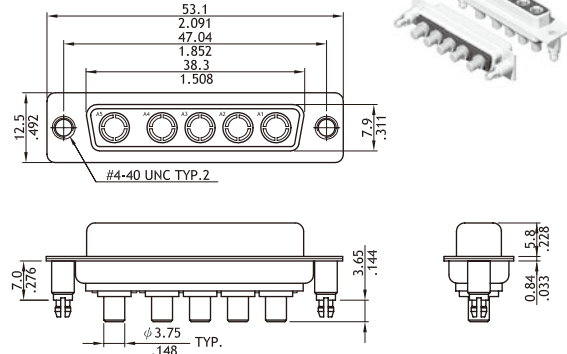
D-SUB CONNECTORS

40A High Power Straight DIP Solder Combination D-Sub

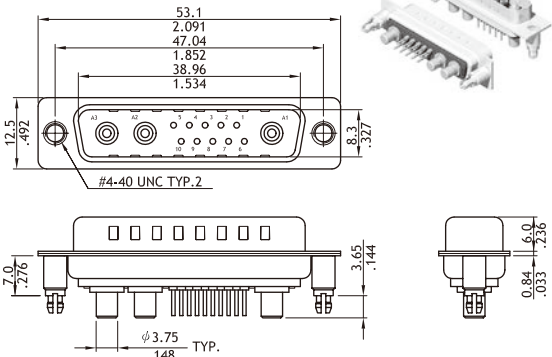
C5W5 (Plug Connector)



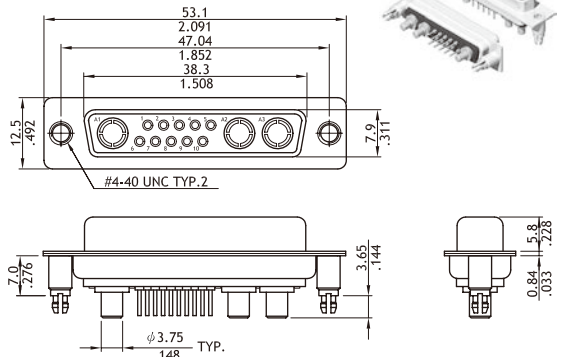
C5W5 (Receptacle Connector)



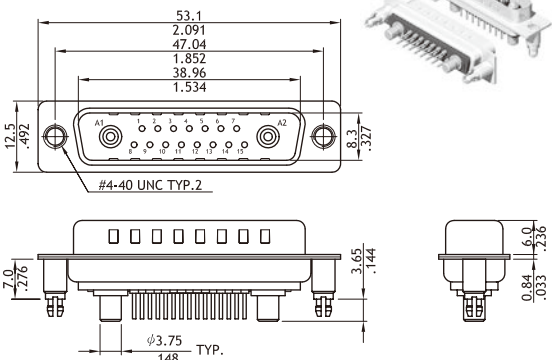
13W3 (Plug Connector)



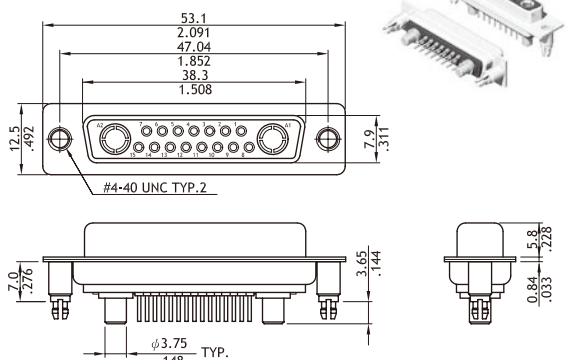
13W3 (Receptacle Connector)



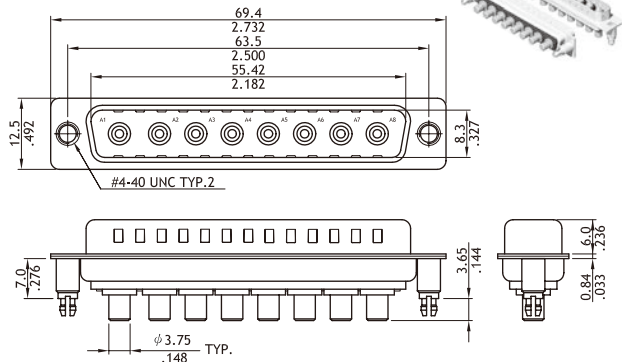
17W2 (Plug Connector)



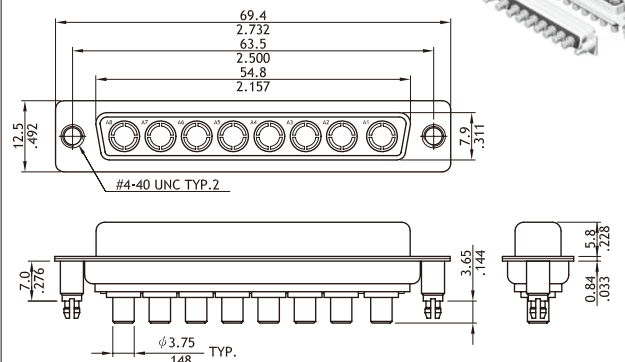
17W2 (Receptacle Connector)



C8W8 (Plug Connector)



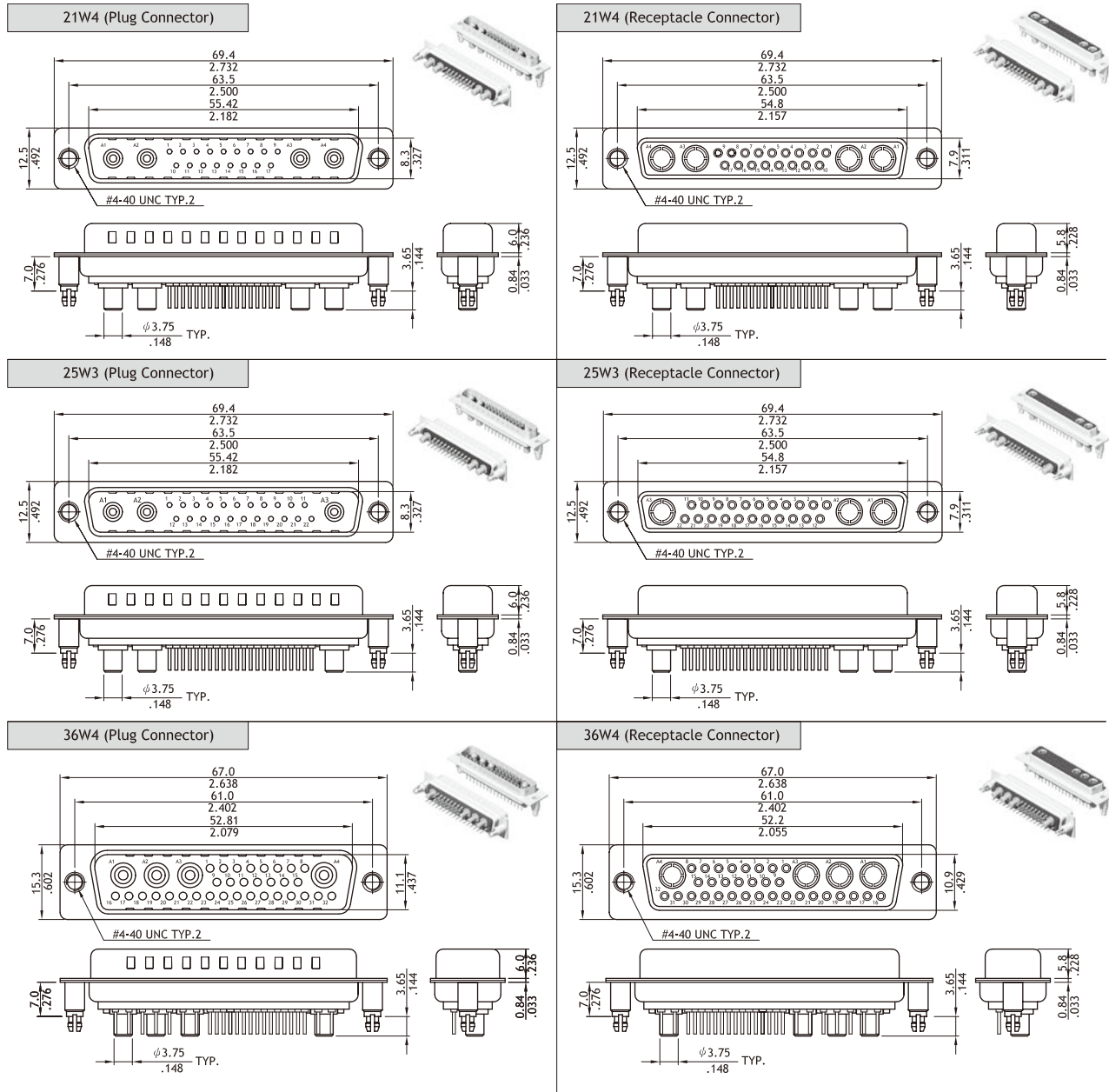
C8W8 (Receptacle Connector)



CD

D-SUB CONNECTORS

40A High Power Straight DIP Solder Combination D-Sub



Ordering Code

① 13W3 ② S ③ P ④ V ⑤ 2 ⑥ 2 ⑦ 1 ⑧ 40 ⑨ D00

- ① Series No.: C3W3, 3W3C, C7W2, 11W1, C5W5, 13W3, 17W3, C8W8, 21W4, 25W3, 36W4
- ② Connector Type: P = Plug
S = Receptacle
- ③ Contact Type: P = High power Contact
- ④ Contact Tail Style: V = Straight DIP Type
- ⑤ Coaxial Contact Plating: 2 = Gold flash over Nickel
- ⑥ Signal Contact Plating: 2 = Gold flash over Nickel
0 = Without Signal Contact

- ⑦ Insulator Color: 1 = Black
- ⑧ Performance: 40 = 40A
- ⑨ Mounting Style:
000 = With ϕ 3.05mm holes on shell
A00 = Riveted #4-40 UNC Close nuts on Front shell
B00 = Riveted #4-40 UNC Open nuts on Front shell
C00 = Riveted #4-40 UNC Open nuts on Rear shell
D00 = Riveted #4-40 UNC Ground Stand-off (Standard)
*Special options consult manufacturer

CD

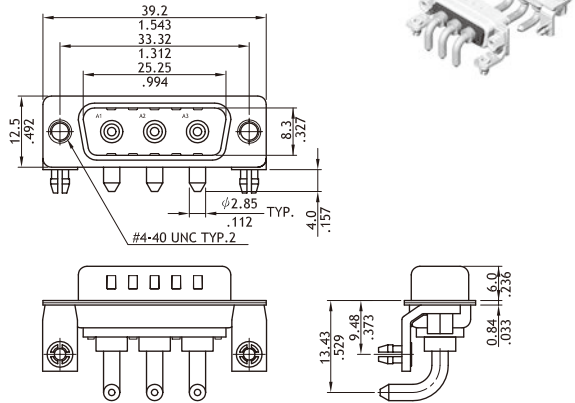
D-SUB CONNECTORS

20A High Power Right Angle DIP Combination D-Sub

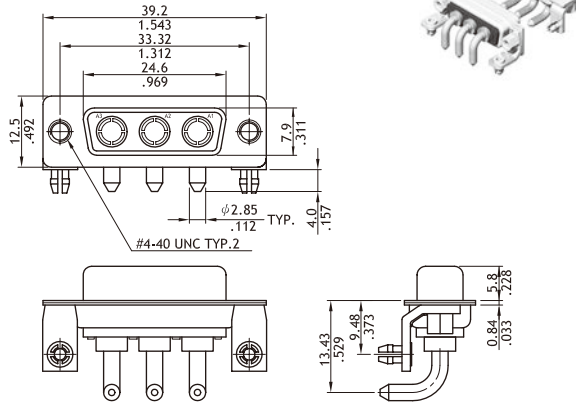
- ⊙ Standard type with #4-40 UNC threaded ground tabs and board locks to secure connector on board
- ⊙ Combined with stamped signal and machined 20A high power contacts
- ⊙ For side entry connection
- ⊙ Metal shell with ground indents
- ⊙ Riveted Hex nuts or hardware accessories options available

RoHS Compliant 

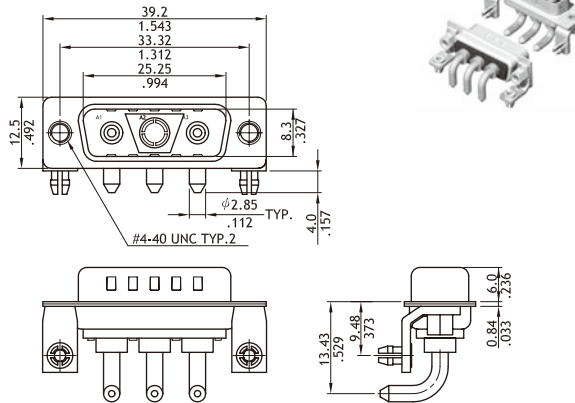
C3W3 (Plug Connector)



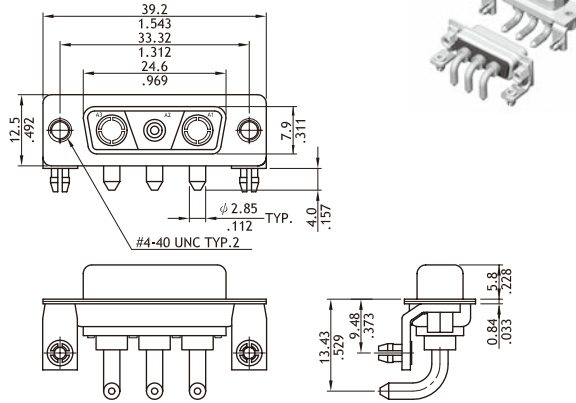
C3W3 (Receptacle Connector)



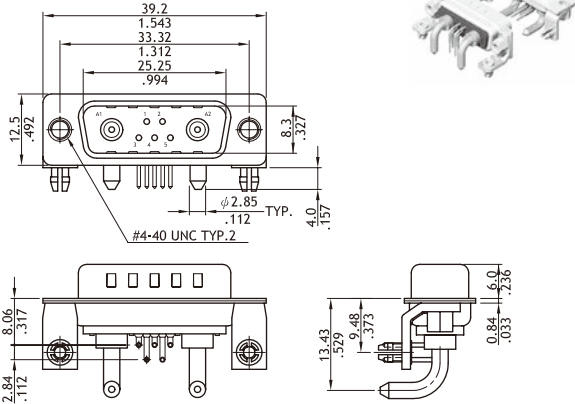
3W3C (Plug Connector)



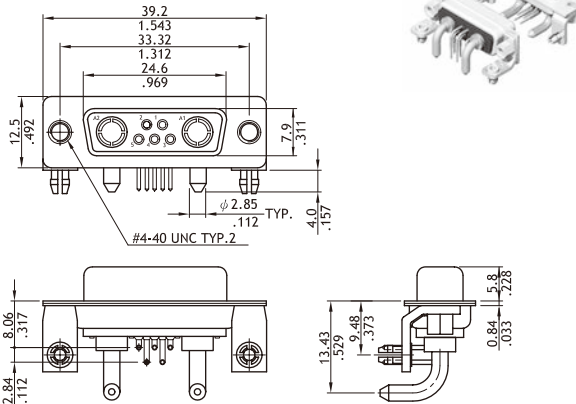
3W3C (Receptacle Connector)



C7W2 (Plug Connector)



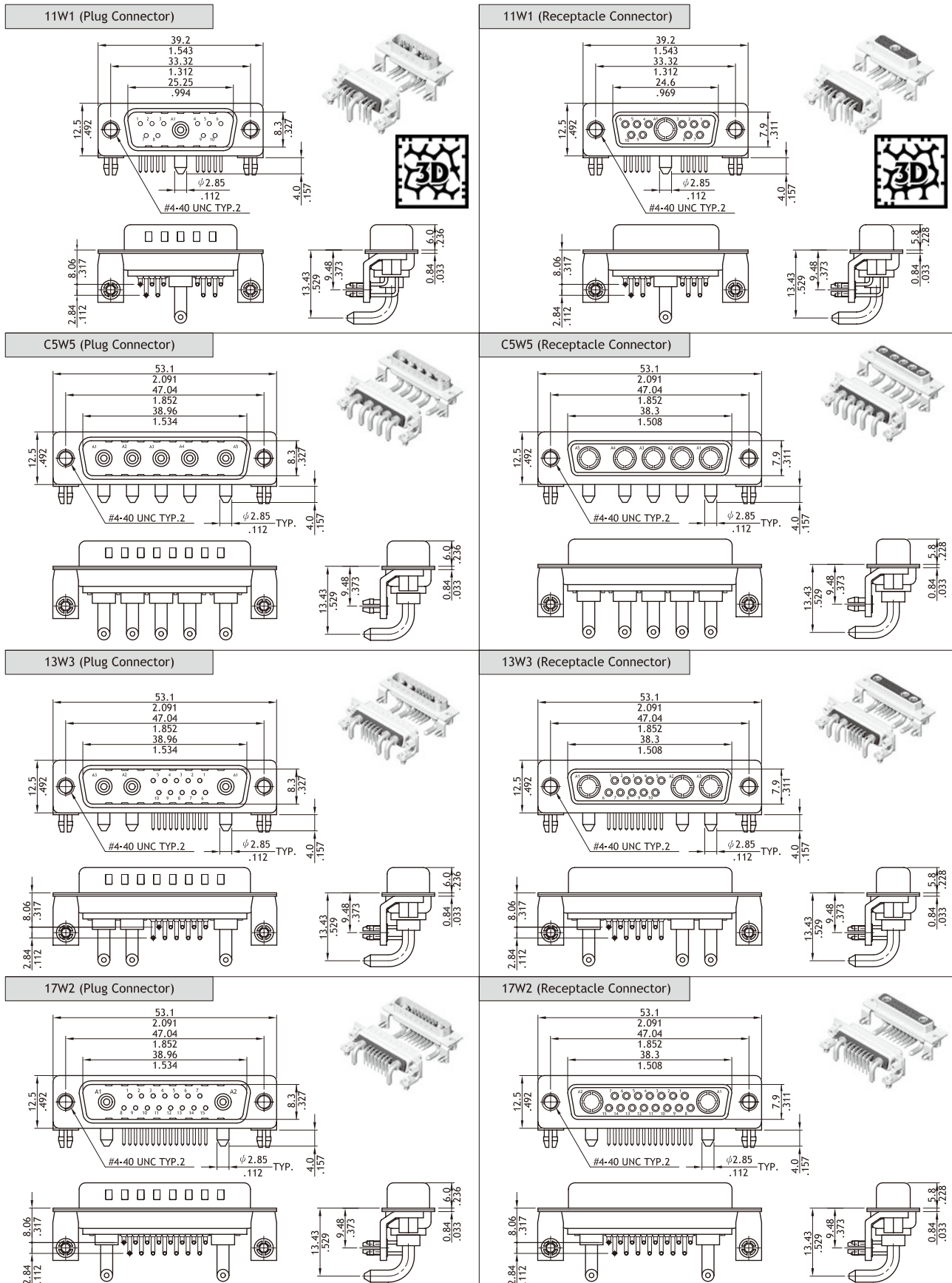
C7W2 (Receptacle Connector)



CD

D-SUB CONNECTORS

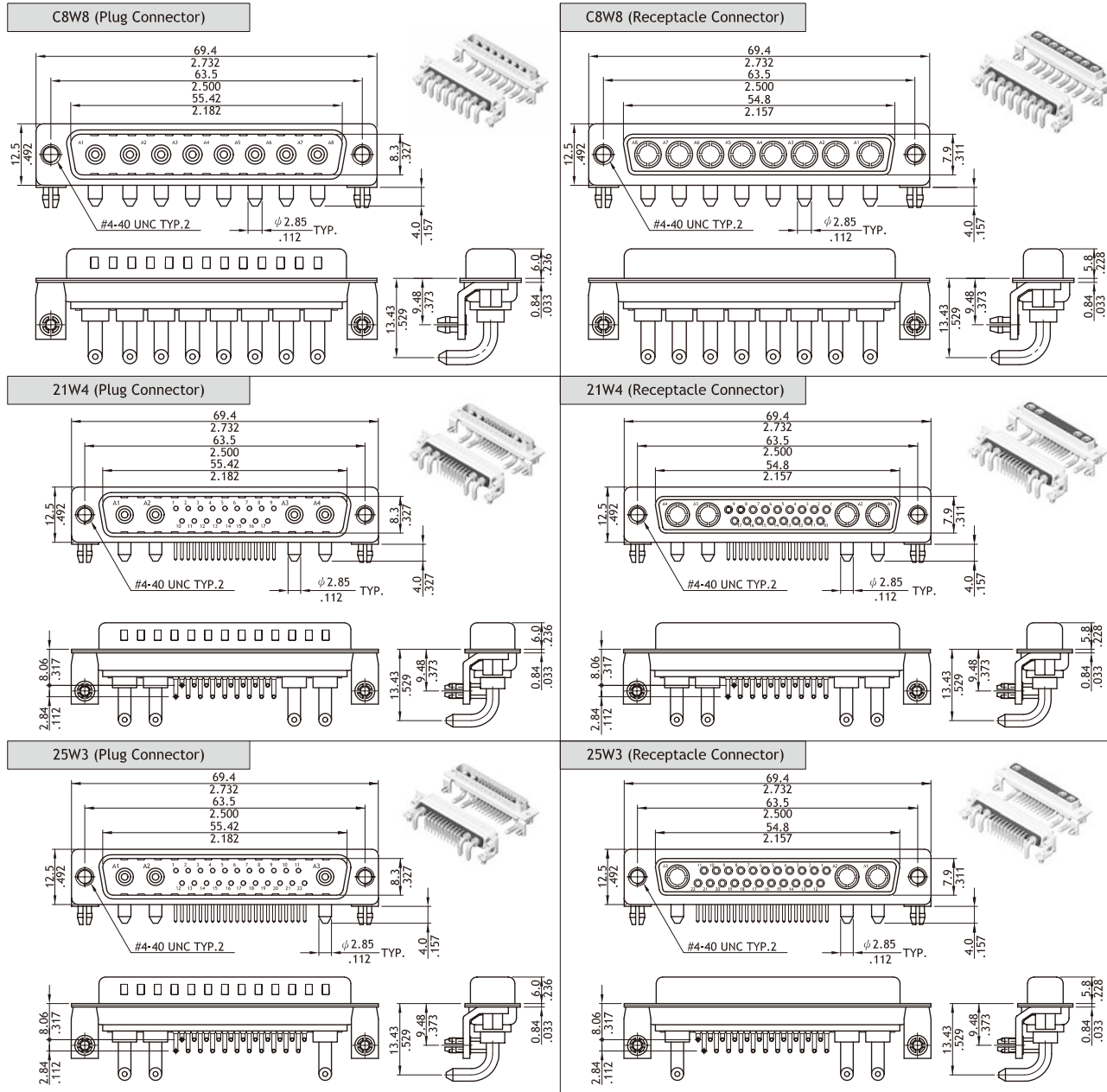
20A High Power Right Angle DIP Combination D-Sub



CD

D-SUB CONNECTORS

20A High Power Right Angle DIP Combination D-Sub



CD

Ordering Code

① 13W3 ② S ③ P ④ H ⑤ 2 ⑥ 2 ⑦ 1 ⑧ 2 ⑨ 100

- ① Series No.: C3W3, 3W3C, C7W2, 11W1, C5W5, 13W3, 17W3, C8W8, 21W4, 25W3, 36W4
- ② Connector Type: P = Plug
S = Receptacle
- ③ Contact Type: P = High power Contact
- ④ Contact Tail Style: H = Right Angle DIP Type
- ⑤ High Power Contact Plating: 2 = Gold flash over Nickel
- ⑥ Signal Contact Plating: 2 = Gold flash over Nickel
0 = Without Signal Contact

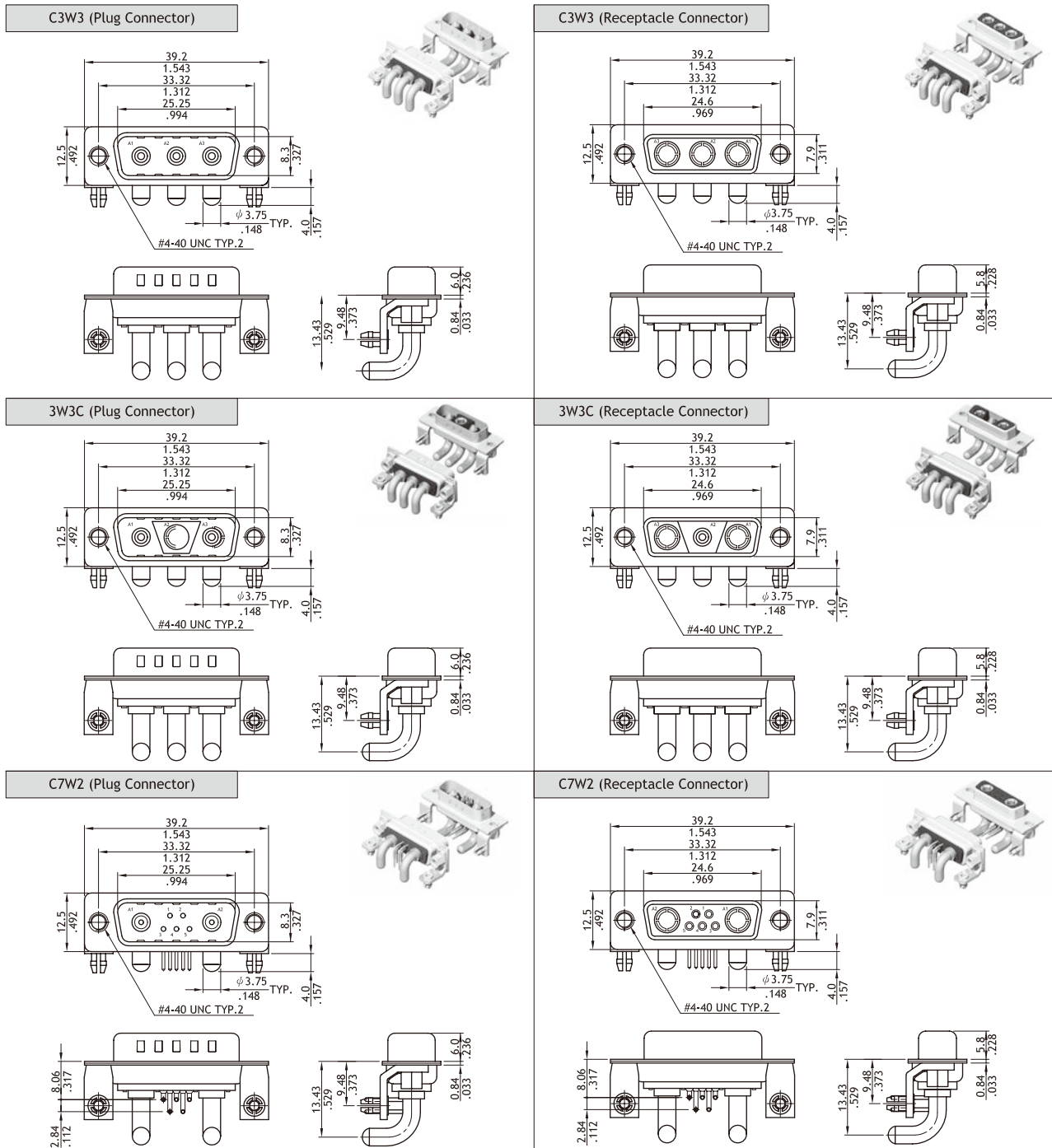
- ⑦ Insulator Color: 1 = Black
- ⑧ Performance: 20 = 20A
- ⑨ Mounting Style:
000 = With ϕ 3.05mm holes on shell
B00 = Riveted #4-40 UNC Open nuts on Front shell
C00 = Riveted #4-40 UNC Open nuts on Rear shell
I00 = Riveted #4-40 UNC Ground tabs with ϕ 3.2mm holes
I10 = Riveted #4-40 UNC Ground tabs with borad locks
*Special options consult manufacturer

D-SUB CONNECTORS

40A High Power Right Angle DIP Combination D-Sub

- ⊙ Standard type with #4-40 UNC threaded ground tabs and board locks to secure connector on board
- ⊙ Combined with stamped signal and 40A high power contacts
- ⊙ For side entry connection
- ⊙ Metal shell with ground indents
- ⊙ Riveted Hex nuts or hardware accessories options available

RoHS Compliant

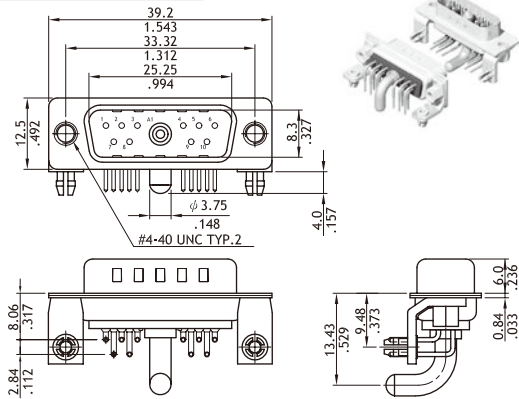


CD

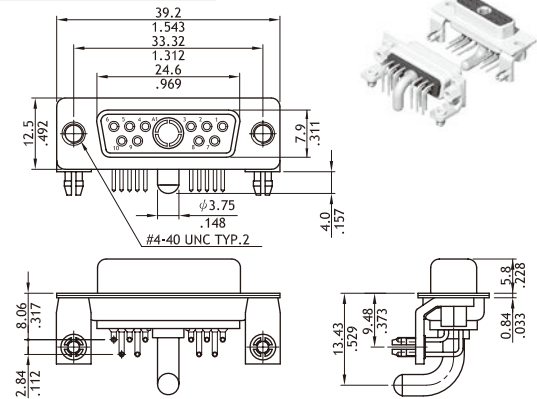
D-SUB CONNECTORS

40A High Power Right Angle DIP Combination D-Sub

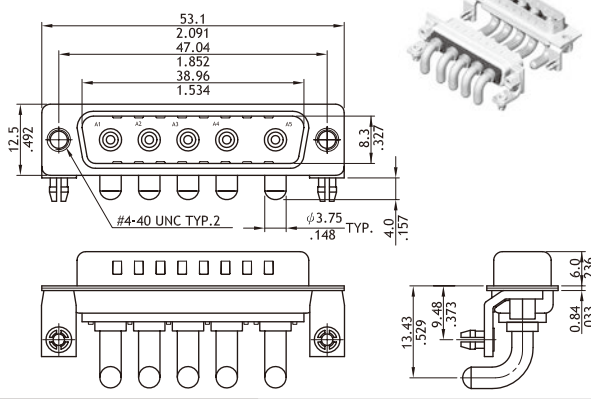
11W1 (Plug Connector)



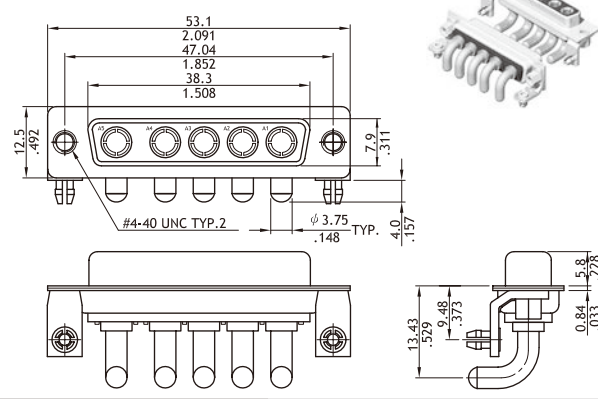
11W1 (Receptacle Connector)



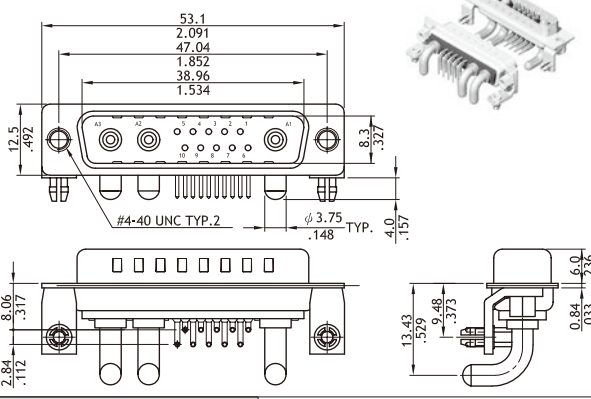
C5W5 (Plug Connector)



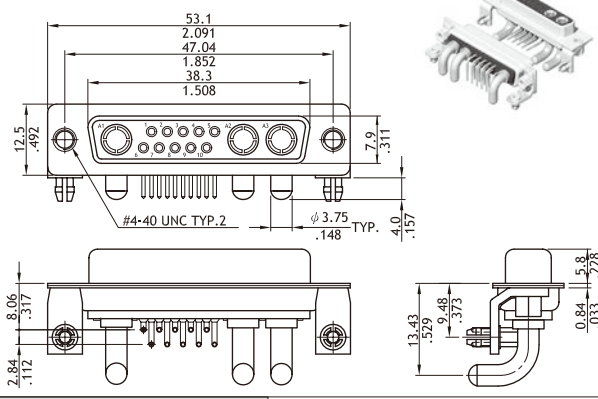
C5W5 (Receptacle Connector)



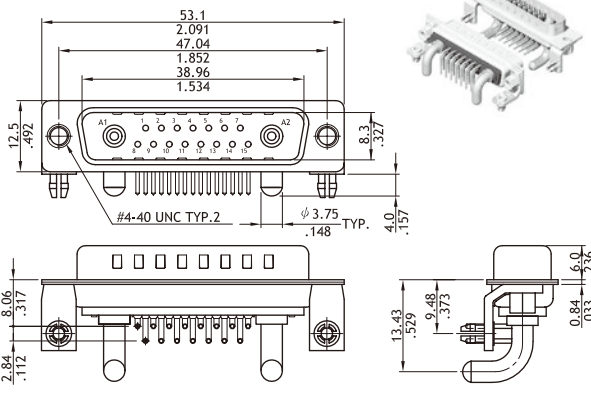
13W3 (Plug Connector)



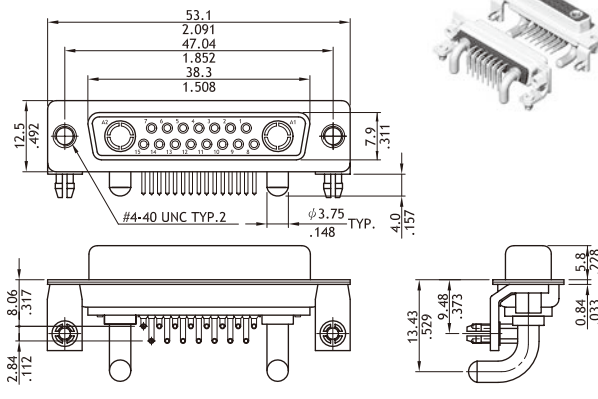
13W3 (Receptacle Connector)



17W2 (Plug Connector)



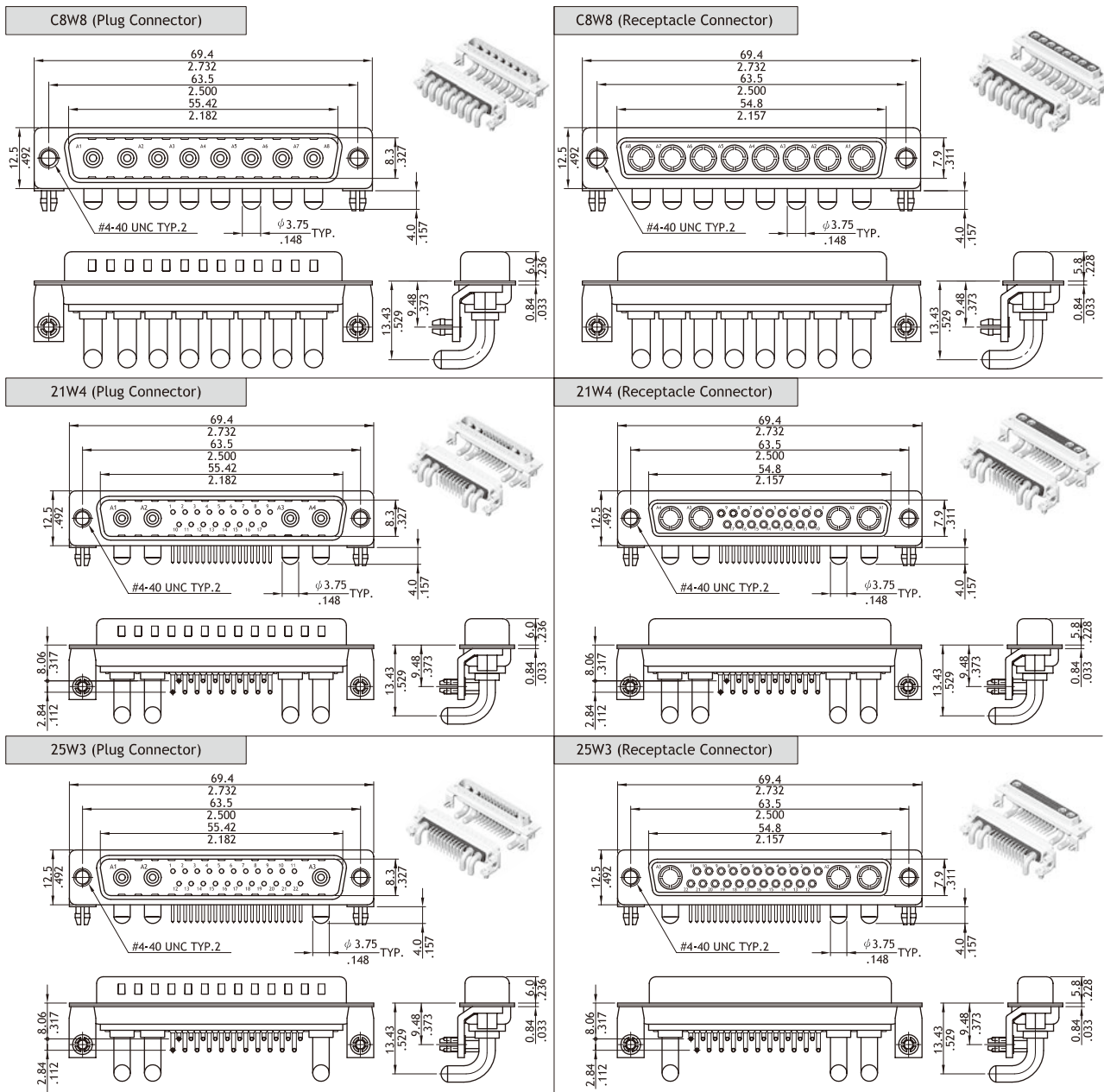
17W2 (Receptacle Connector)



CD

D-SUB CONNECTORS

40A High Power Right Angle DIP Combination D-Sub



Ordering Code

① 13W3 ② S ③ P ④ H ⑤ 2 ⑥ 2 ⑦ 1 ⑧ 40 ⑨ 100

- ① Series No.: C3W3, 3W3C, C7W2, 11W1, C5W5, 13W3, 17W3, C8W8, 21W4, 25W3, 36W4
- ② Connector Type: P = Plug
S = Receptacle
- ③ Contact Type: P = High power Contact
- ④ Contact Tail Style: H = Right Angle DIP Type
- ⑤ High Power Contact Plating: 2 = Gold flash over Nickel
- ⑥ Signal Contact Plating: 2 = Gold flash over Nickel
0 = Without Signal Contact

- ⑦ Insulator Color: 1 = Black
- ⑧ Performance: 40 = 40A
- ⑨ Mounting Style:
000 = With ϕ 3.05mm holes on shell
B00 = Riveted #4-40 UNC Open nuts on Front shell
C00 = Riveted #4-40 UNC Open nuts on Rear shell
I00 = Riveted #4-40 UNC Ground tabs with ϕ 3.2mm holes
I10 = Riveted #4-40 UNC Ground tabs with borad locks (Standard)
*Special options consult manufacturer

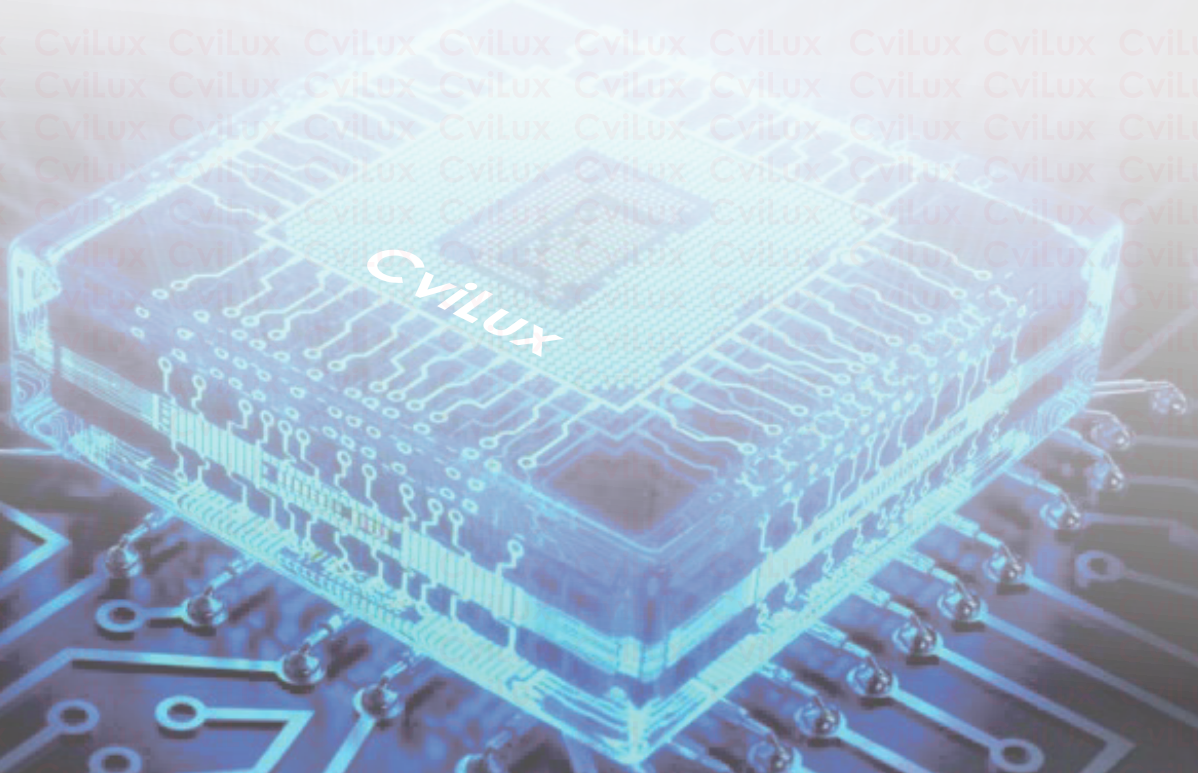
CD

D-SUB CONNECTORS

CVILUX PATENT, CERTIFICATE, AWARD

CviLux R&D strength means maximizing our patents, awards and international standard of QC and certificates. We challenge our worldwide granted and pending patents listed as follows (- August, 2018) :

- Taiwan : 25 patents granted and pending
- China : 10 patents granted and pending
- USA : 1 patents granted and pending



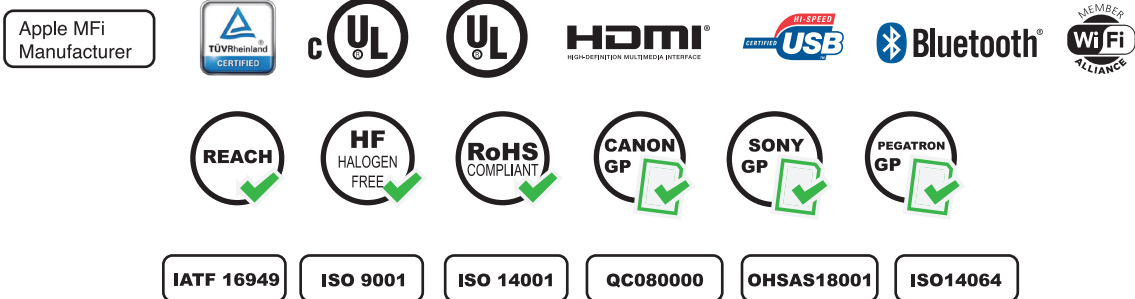
CviLux Group

Marketing Site

CviLux Corporation
 CviLux Technology
 (Shenzhen) Corporation
 CviLux USA Corporation
 CviLux Opro9 Europe B.V.
 CviLux SDN BHD
 CviLux JAPAN Office
 CviLux KOREA Office
 Allsor Technology Corporation
 Allsor Electronics Co., Ltd.
 CviCloud Corporation
 CviCloud (SZ) Limited

Factory Site

Taiwan
 CviLux Corporation
 South China
 CviLux Electronics (Dongguan) Co., Ltd.
 Dongguan Qunhan Electronics Co., Ltd.
 East China
 CviLux Technology (Suzhou) Co., Ltd.
 West China
 CviLux Technology (Chongqing) Co., Ltd.
 Central China
 Anhui CviLux Technology Co., Ltd.
 Lao
 CviLux Lao Co., Ltd.




Taiwan

South China
(1)

South China
(2)

South China
(3)

East China

West China

Central China

Lao



www.cvilux.com

CATALOGUE NO. CGC2019A