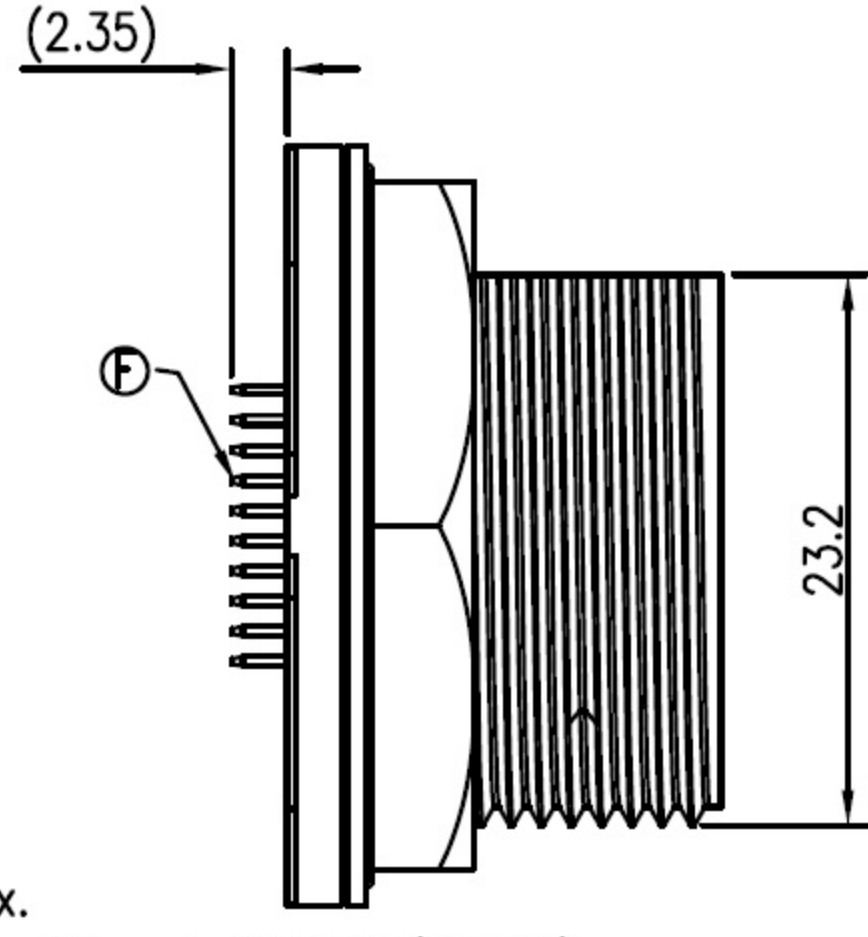
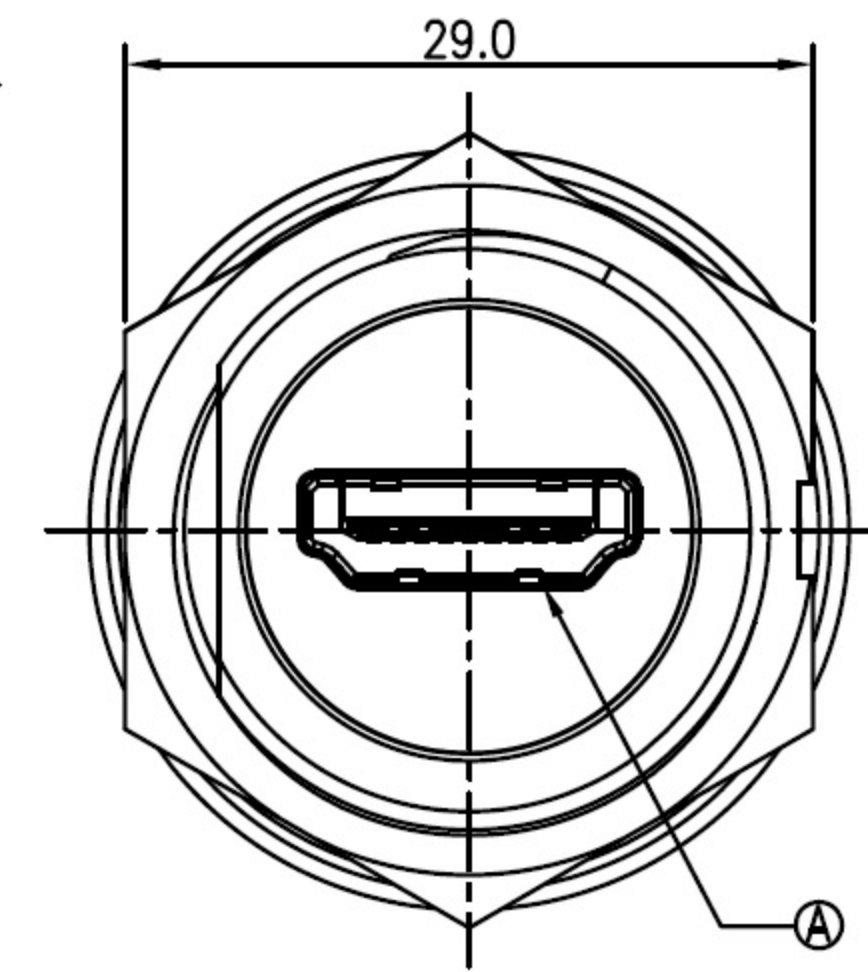
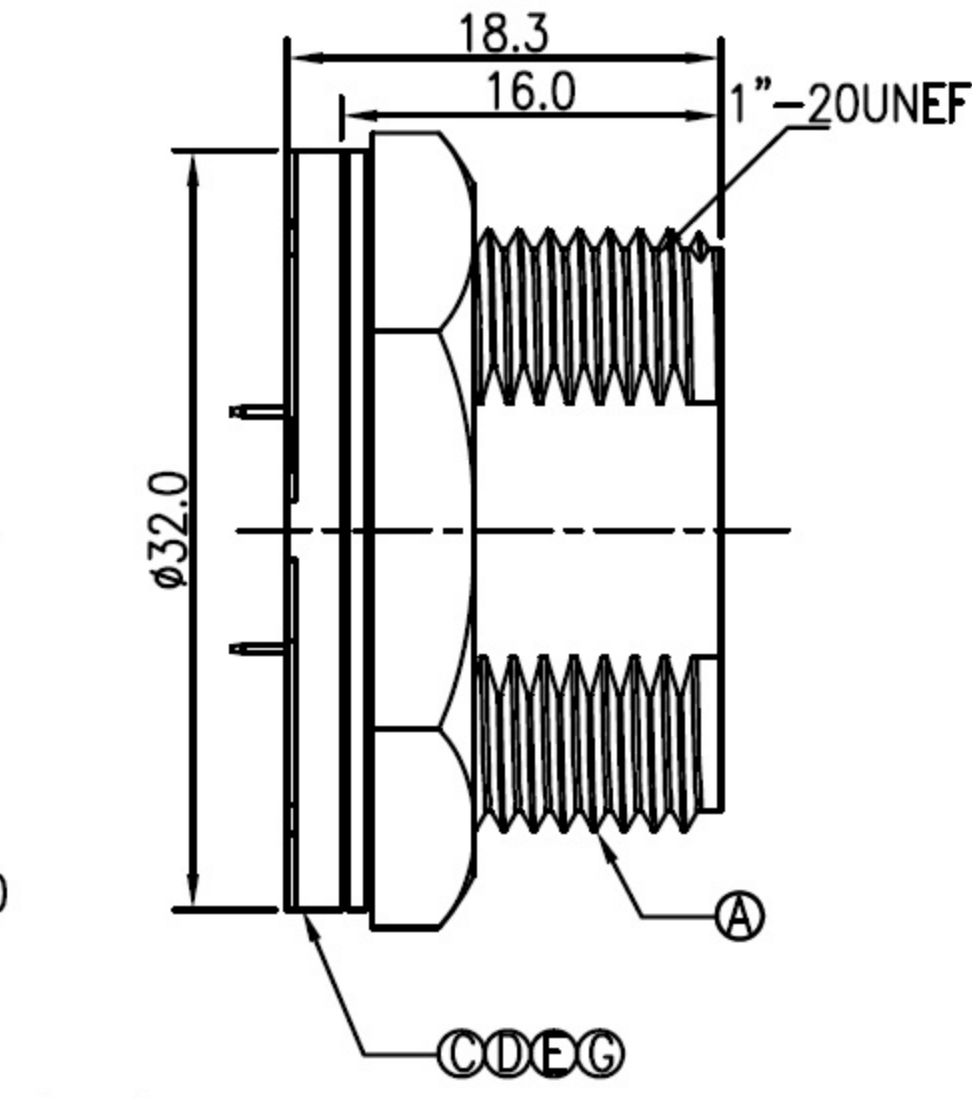
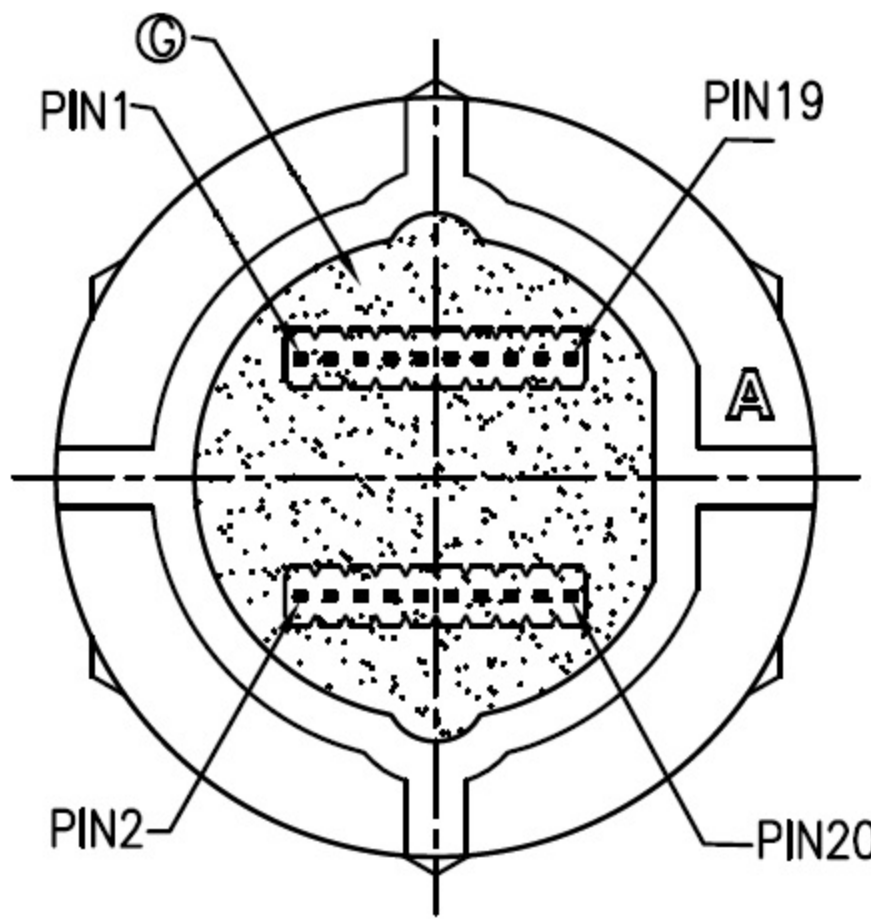
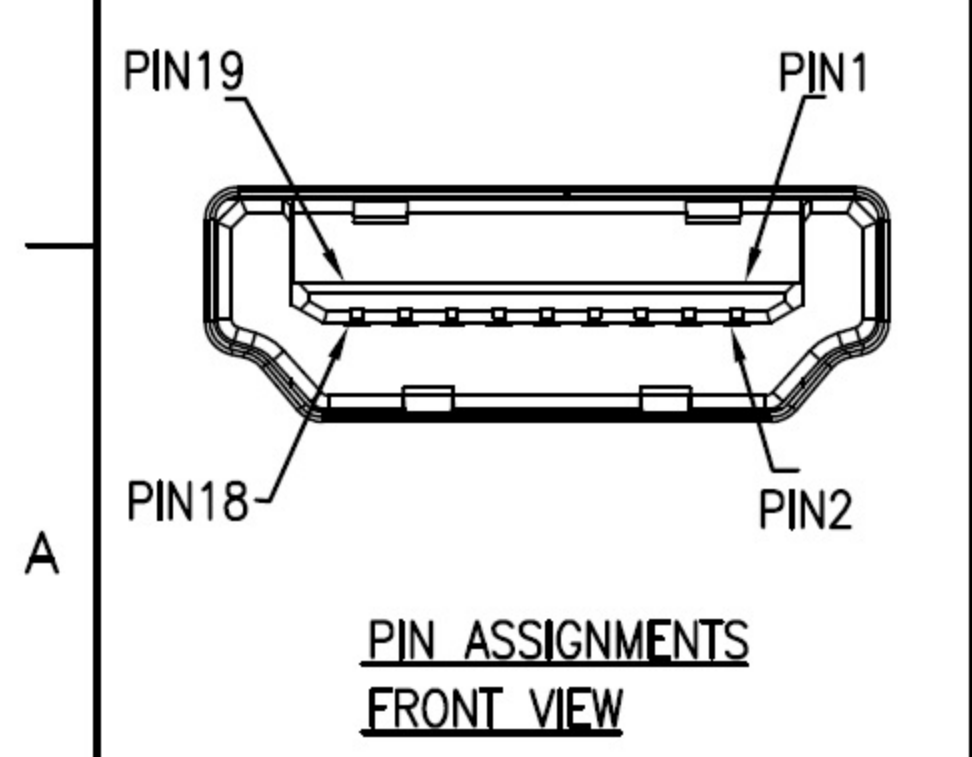
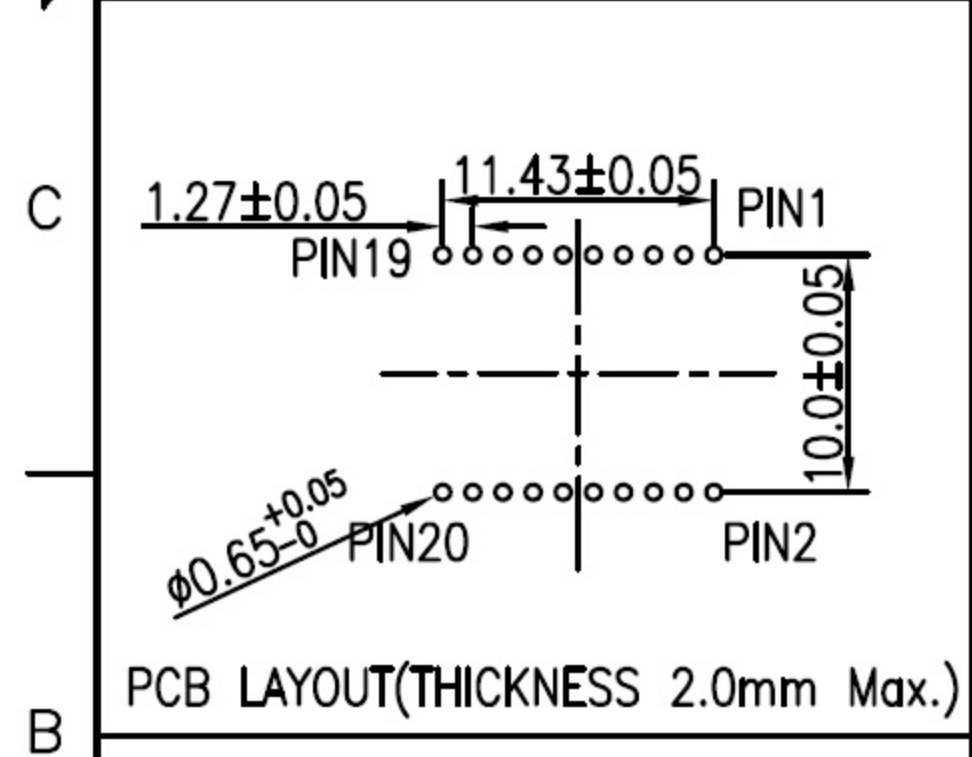
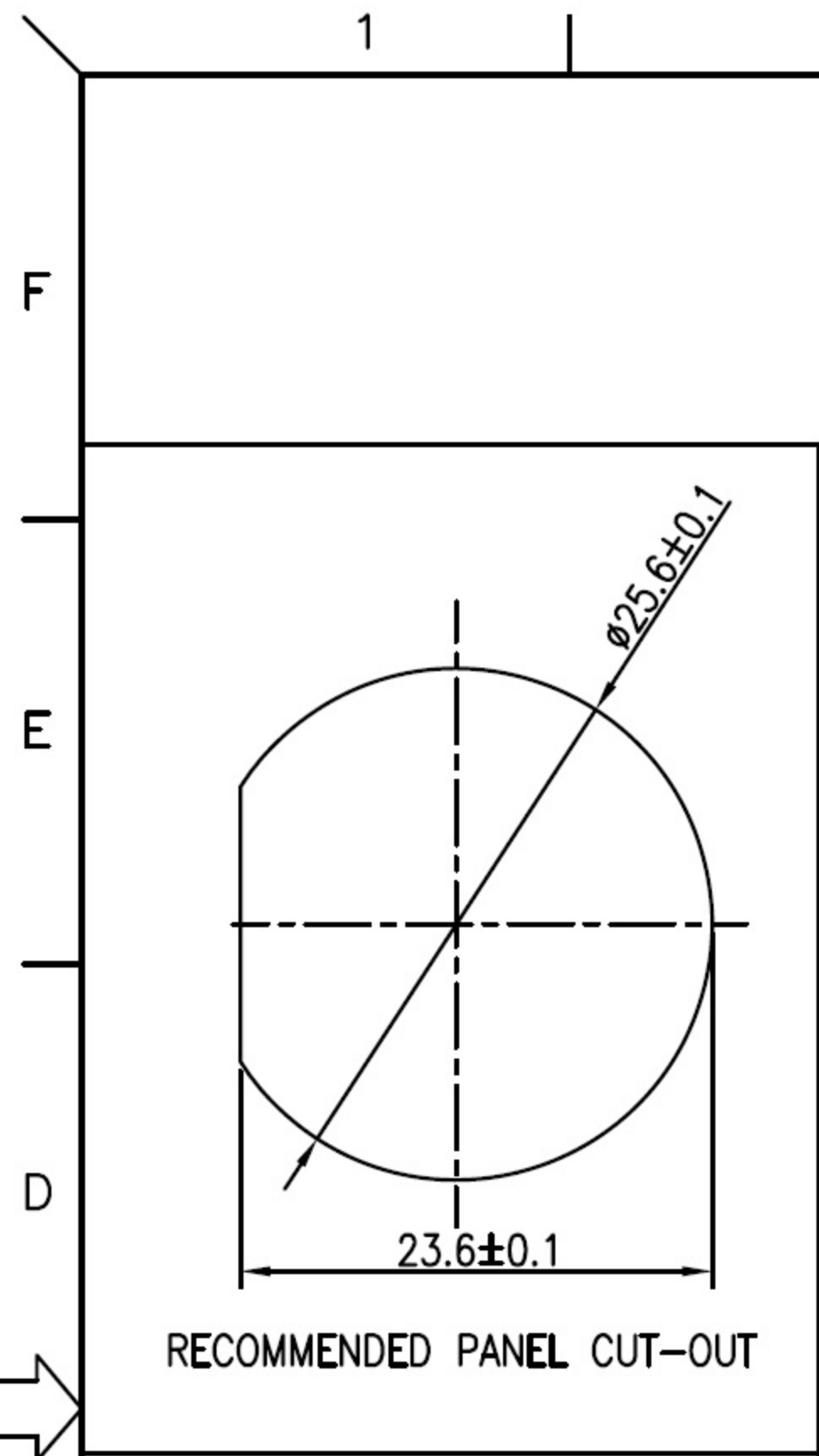


REV.	ECN NO OR DESCRIPTION	REVISED	DATE
A		Harlen	2018.01.26



- NOTES:
- ELECTRICAL CHARACTERISTICS:
 - 1-1 CURRENT RATING: 0.5 AMPS.
 - 1-2 VOLTAGE RATING: 30V.
 - 1-3 CONTACT RESISTANCE: 3 Ohm Max.
 - 1-4 INSULATION RESISTANCE: 10 MOhm Min. at 150VDC.(MATED)
 - 1-5 BREAKDOWN VOLTAGE: 300 VAC PER MINUTE.(MATED)
 - ENVIRONMENTAL:
 - 2-1 OPERATING TEMPERATURE: -20°C TO +80°C.
 - 2-2 SEALING REQUIREMENTS: IP67.
 - 2-3 PANEL THICKNESS: 3.5mmMax.
 - FOR TECHNICAL DATA REFER TO YOUR LOCAL SINGATRON ELECTRONICS SALES OFFICE.
 - ALL DIMENSIONS ARE NOMINAL FOR REFERENCE ONLY UNLESS OTHERWISE STATED.
 - TO CONFORM TO SINGATRON HAZARDOUS SUBSTANCE FREE SPEC.
 - GREEN PRODUCT IDENTIFICATION LABEL ON PACKAGING: **G.P. PASS**.

	Shield
	17
2&5&8&11	11
&17&GND	8
&20	5
	2
19	19
18	18
16	16
15	15
14	14
13	13
12	12
10	10
9	9
7	7
6	6
4	4
3	3
1	1
PCB	Conn.

NO	DESCRIPTION	QTY	MATERIAL	PLATING & COLOR
G	LIQUID GLUE	1	N/A	BLACK
F	PIN HEADER	2	PH1.271*10PIN	N/A
E	PCB	1	FR-4	GREEN
D	SCREW NUT	1	PA66	BLACK
C	GASKET	1	EPDM	BLACK
B	HOUSING	1	PA66	BLACK
A	CONNECTOR	1	HDMI RECEPTACLE	GOLD FLASH

UNLESS OTHERWISE SPECIFIED TOLERANCES		SCHMID-M	
DECIMALS:	ANGLES:	TITLE HDMI Jack; PCB Conn.; 180° Screw Mating; Panel Thickness: max 3.2mm	
X :±0.5	X :±2°	DWN	Harlen SM C10 3003 29 HDMI, panel
X.X :±0.3	X.X :±1°	CHKD	JF SCALE 2:1 UNIT: mm
X.XX :±0.2		APVD	Steve SIZE: A3 SHEET: 1 OF 1 REV: A